

Sunraysia

SKU# 010922, 010923

Rated Voltage 220-240V~ 50Hz

Thank you for purchasing this quality Lucci product. To ensure correct function and safety, please read and follow all instructions carefully before using the product. Please keep instructions for future reference.

Warranty

- This light fitting is covered by a 12 month warranty. Please retain proof of purchase and evidence of installation by a licensed electrician.
- Warranty will be void if there is any damage due to improper usage or modification to the fitting.

Installation requirements

- Must be installed by a licensed electrician.
- All wiring and installation of the light fitting must adhere to local and national wiring rules. eg. AS/NZS 3000:2007/Amendment 2:2012 Electrical installations.
- Do not exceed the maximum wattage rating.
- Select a suitable location for installation;
 - This product is suitable for indoor use only.
 - Ensure the fitting is not installed next to any air vents and is not in any moist or damp areas.
 - The mounting point must support 2 times the weight of the fitting.
- Take care not to pull any electrical wires during unpacking as this may damage the connection.
- Lay out all the components on a smooth surface and make sure there are no components missing before assembling. If parts are missing, return the complete product to the place of purchase for inspection or replacement.
- Check whether the fitting has been damaged during transport. Do not operate/install any product which appears damaged in any way. Return the complete product to the place of purchase for inspection, repair or replacement.
- Ensure power to the circuit you are working on has been switched OFF.

Installation directions

1. Remove all packaging material from the product.
2. Remove the mounting bracket (B) from the canopy (E) by loosening the screws (F) on the side.
3. Use the mounting bracket (B) as a template to mark the screw positions on the ceiling.
4. Install the mounting bracket (B) onto the ceiling by using appropriately sized mounting screws (C) and anchors (A). Ensure the screws (C) and anchors (A) used are suitable for the mounting surface.
5. Remove the cover from the terminal block (D) and connect the mains supply wire.

Mains Supply Wire

Earth – Yellow/Green 

Neutral – Blue or Black

Live – Brown or Red

Fitting Wire

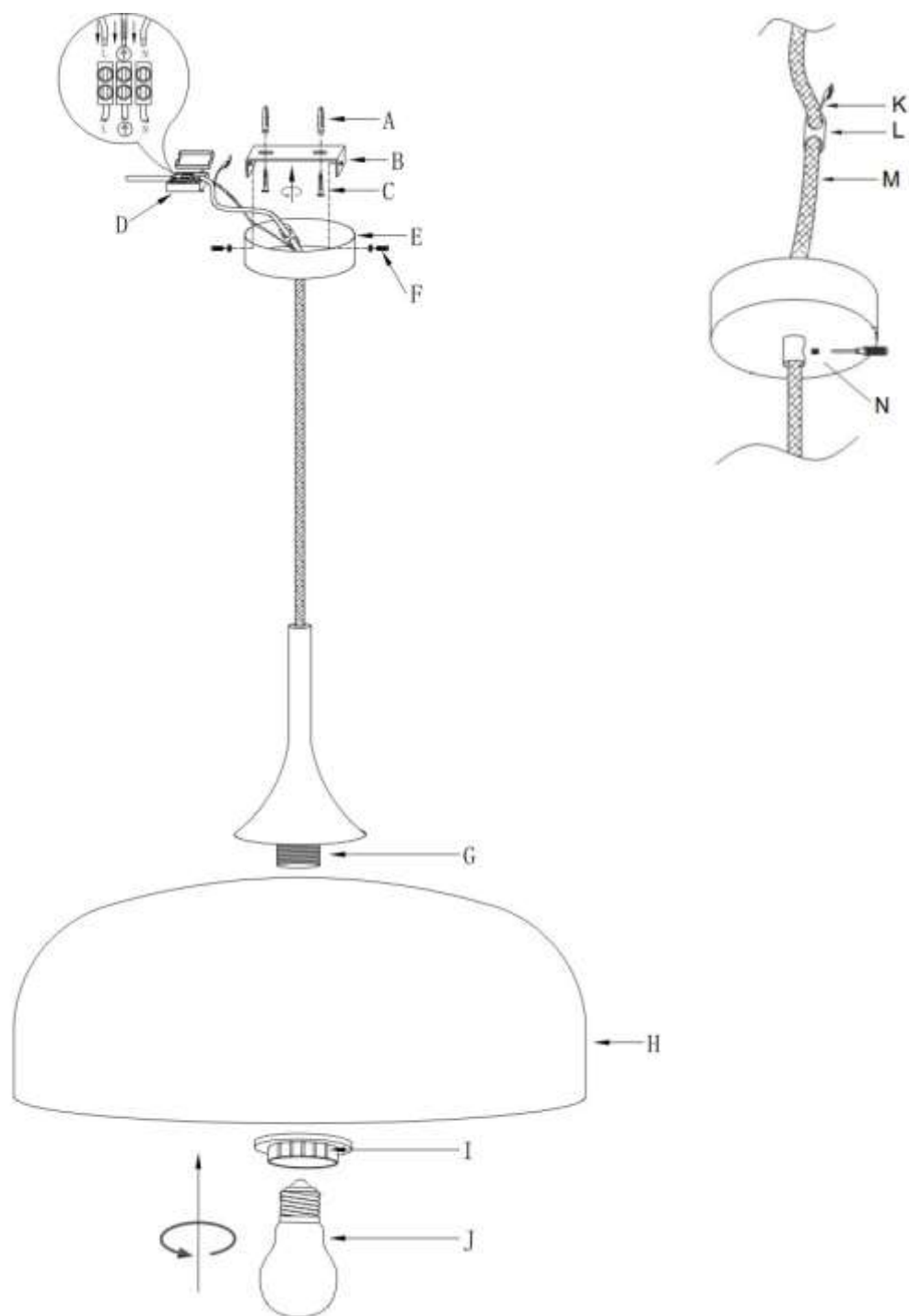
Yellow/Green

Blue

Brown

6. Ensure the wires are secure and no bare wires are exposed. Install the cover back over the terminal block (D).
7. If the suspension length requires adjustment, please loosen the cord anchorage (N) below the canopy (E). Pull both the cord (M) and suspension wire (K) up through the canopy together as they must share the load of the fitting. Always ensure both the cord (M) and suspension wire (K) are held securely by the restrainer (L) and tighten the cord anchorage (N) after adjustment.

8. Install the canopy (E) onto the mounting bracket (B) by tightening the screws (F) on the side.
9. Remove the lamp holder ring (I) from the lamp holder (G).
10. Install the shade (H) onto lamp holder (G) and secure by tightening the lamp holder ring (I) onto the lamp holder (G).
11. Install a globe (J - not included) into the lamp holder. Do not exceed the maximum wattage rating.



Safety tips

- Always ensure the power is OFF and the fitting has cooled down before performing any maintenance, cleaning, changing the globe or adjustment to the fitting.
- Do not touch the globe with bare hands. Use a clean cloth, gloves or a tissue.
- To avoid injury or damage to the fitting, ensure that power leads and screws are secure before connecting the power.
- Select a suitable location away from liquids and hazards.
- Ensure that the fitting does not come in contact with corrosive chemicals, etc.
- To clean, wipe with a damp clean cloth. Never soak the fitting with water.

Specifications

SKU #	010922	010923
Model #	LD-WYWP1357L-WH	LD-WYWP1357L-BK
Rated Voltage	220-240V~ 50Hz	
Rated Wattage	45W Max.	
Lamp Holder	ES / E27	
Weight	3.5kg	
Dimensions	Dia:520mm H:390mm Susp:2000mm	