

Kiel

SKU# 010969

Rated Voltage 220-240V~ 50Hz

Thank you for purchasing this quality Lucci product. To ensure correct function and safety, please read and follow all instructions carefully before using the product. Please keep the instructions for future reference.

Warranty

- This light fitting is covered by a 12 month warranty; please retain proof of purchase and evidence of installation by a licensed electrician.
- Warranty will be void if there is any damage due to improper usage or modification to the fitting.

Installation requirements

- Must be installed by a licensed electrician.
- All wiring and installation of the light fitting must adhere to local and national wiring rules. eg. AS/NZS 3000:2007/Amendment 2:2012 Electrical installations.
- Do not exceed the maximum wattage rating.
- Select a suitable location for installation;
 - This product is suitable for indoor use only.
 - The mounting point must support 2 times the weight of the fitting.
 - Ensure the fitting is not installed next to any air vents and is not in any moist or damp areas.
- Take care not to pull any electrical wires during unpacking as this may damage the connection.
- Lay out all the components on a smooth surface and make sure there are no components missing before assembling. If parts are missing, return the complete product to the place of purchase for inspection or replacement.
- Check whether the fitting has been damaged during transport. Do not operate/install any product which appears damaged in any way. Return the complete product to the place of purchase for inspection, repair or replacement.
- Ensure power to the circuit you are working on has been switched OFF before commencing any electrical work.

Installation directions

1. Remove all packaging material from the product.
2. Decide on the suspension length for your fitting. If adjustment is required, loosen the cord anchorage (G) and adjust the suspension length. After adjusting the suspension length re-tighten the cord anchorage (G).
3. Remove the mounting bracket (D) by loosening the screws (E) on both sides of the canopy (F).
4. Use the mounting bracket (D) as a template to mark the screw positions on the ceiling.
5. Install the mounting bracket (D) onto the ceiling by using appropriately sized mounting screws (B) and anchors (A). Ensure the screws (B) and anchors (A) used are suitable for the mounting surface.
6. Remove the cover from the terminal block (C) and connect the mains supply wire.

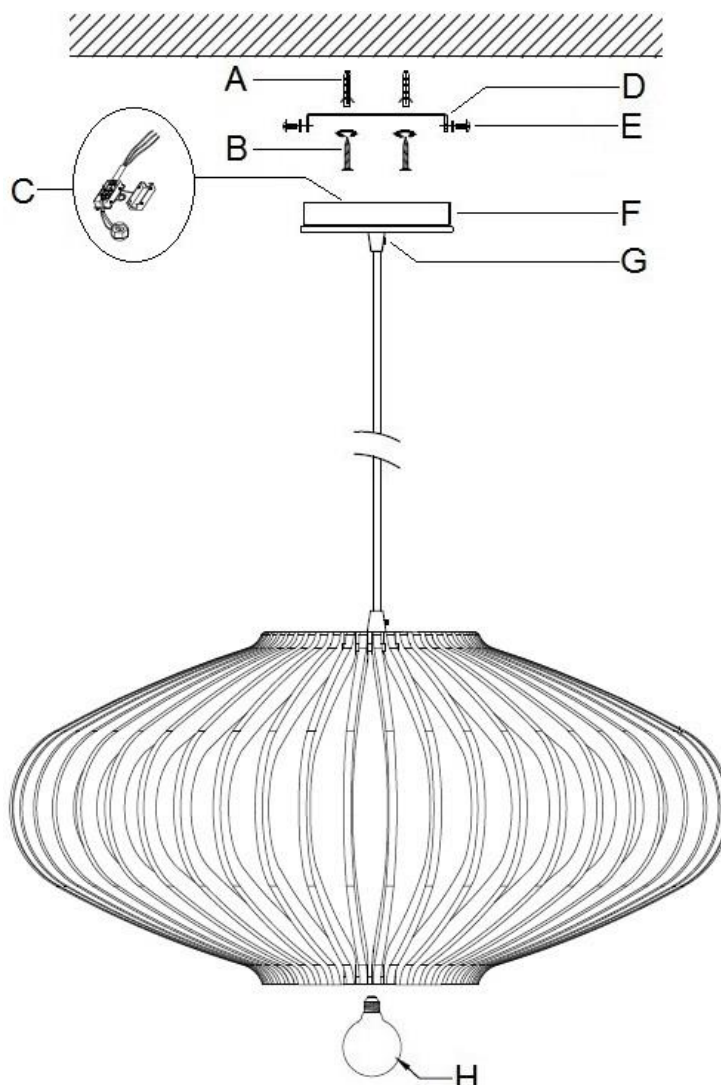
Mains Supply Wire

Earth – Yellow/Green
Neutral – Blue or Black
Live – Brown or Red

Fitting Wire

Yellow/Green \oplus
Blue
Brown

7. Ensure the wires are secure and no bare wires are exposed. Install the cover back over the terminal block (C).
8. Install the canopy (F) onto the mounting bracket (D) by tightening the screws (E) on both sides.
9. Install a globe (H - not included) into the lamp holder. Do not exceed the maximum wattage rating.



Safety tips

- Always ensure the power is OFF and the fitting has cooled down before performing any maintenance, cleaning, changing the globe or adjustment to the fitting.
- To avoid injury or damage to the fitting, ensure that power leads and screws are secure before connecting the power.
- Select a suitable location away from liquids and hazards.
- Ensure that the fitting does not come in contact with corrosive chemicals, etc.
- To clean, wipe with a damp clean cloth. Never soak the fitting with water.

Specifications

SKU #	010969
Model #	LBMP-FD580
Rated Voltage	220-240V~ 50Hz
Rated Wattage	MAX. 60W
Lamp Holder	ES / E27
Weight	1.9kg
Dimensions	H:315mm Dia:580mm Susp:1500mm