

Pac

SKU# 011235, 011236

Rated Voltage 220-240V~ 50Hz

Thank you for purchasing this quality Lucci product. To ensure correct function and safety, please read and follow all instructions carefully before assembly, installation and use of this product. Please keep instructions for future reference.

Warranty

- This light fitting is covered by a 12 month warranty. The warranty is from date of purchase, not the date of installation.
- If the fitting is not installed by a licensed electrician the warranty will be void.
- Please retain proof of purchase and evidence of installation by a licensed electrician.
- Warranty will be void if there is any damage due to improper usage or modification to the fitting.
- Failure to comply with the instructions in this manual may increase the risk of damage or injury and will void warranty.

Installation requirements

- Must be installed by a licensed electrician.
- All wiring and installation of the light fitting must adhere to local and national wiring rules.
eg. AS/NZS 3000:2007/Amendment 2:2012 Electrical installations.
- Do not exceed the maximum wattage rating.
- Select a suitable location for installation;
 - This product is suitable for indoor use only.
 - The mounting point must support 2 times the weight of the fitting.
 - Ensure the fitting is not installed in direct line of an air vent/system and is not placed in any moist or damp areas.
- Take care not to pull any electrical wires during unpacking as this may damage the connection.
- Lay out all the components on a smooth surface and make sure there are no components missing before assembling. If parts are missing, return the complete product to the place of purchase for inspection or replacement.
- Check whether the fitting has been damaged during transport. Do not operate/install any product which appears damaged in any way. Return the complete product to the place of purchase for inspection, repair or replacement.
- Ensure power to the circuit you are working on has been switched OFF before commencing any electrical work.

Installation directions

1. Remove all packaging material from the product and be careful not to throw away accessories that may be hidden within the packaging material.
2. To help with assembly, lay the fitting on a flat and smooth non-scratch surface.
3. Remove the mounting bracket (E) from the canopy by loosening the screws (H) on both sides.
4. Re-arrange the arms so they are spread out as shown in diagram 2 on page 2 in this instruction manual.
5. Lock each arm in position by tightening the nut (B) and washer (C) in the canopy with the spanner (G) supplied.
6. Use the mounting bracket (E) as a template to mark the screw positions on the ceiling and drill any holes required.
7. Install the mounting bracket (E) onto the ceiling by using appropriately sized mounting screws (F) and anchors (D). Ensure the screws (F) and anchors (D) used are suitable for the mounting surface and the surrounding environment.
8. Remove the cover from the terminal block (A) and connect the mains supply wire.

Mains Supply Wire

Earth – Yellow/Green 

Neutral – Blue or Black

Live – Brown or Red

Fitting Wire

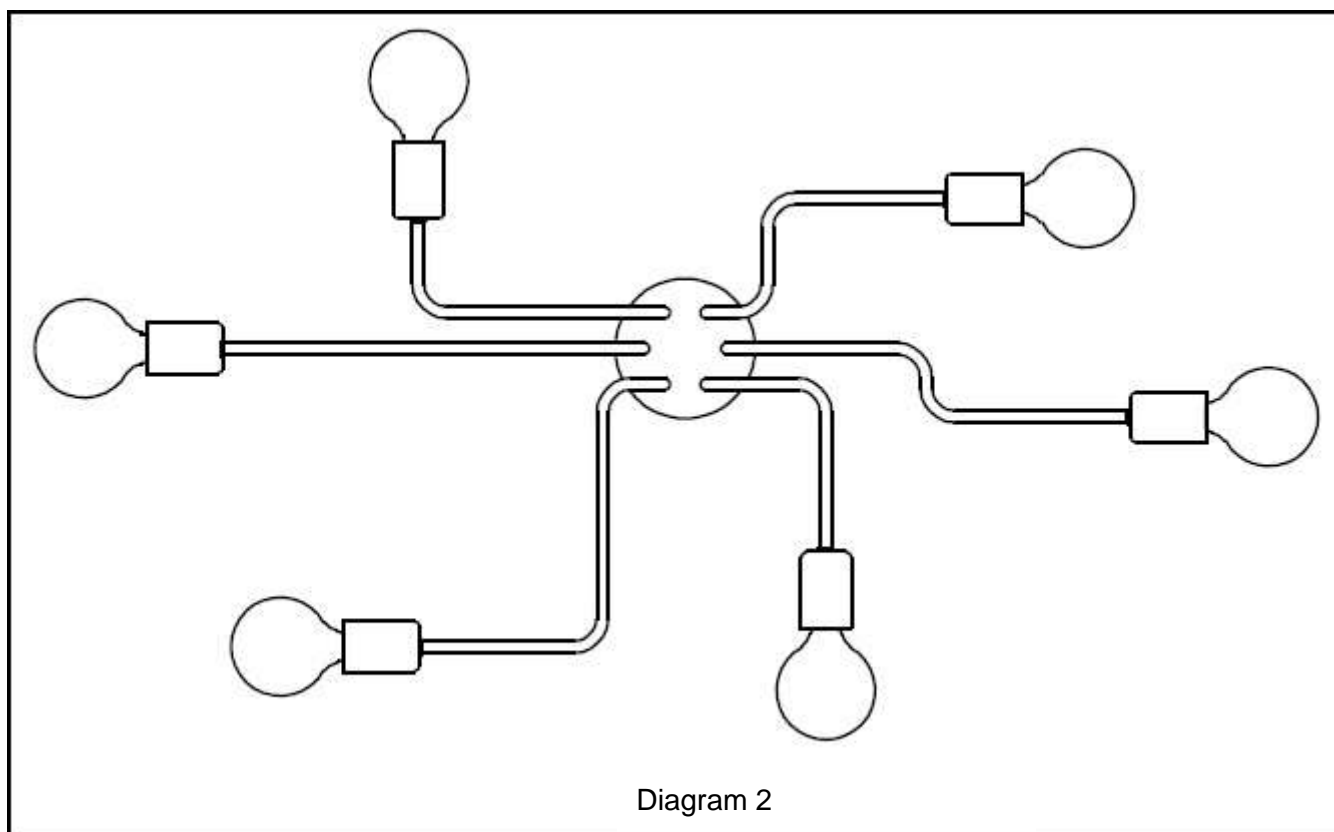
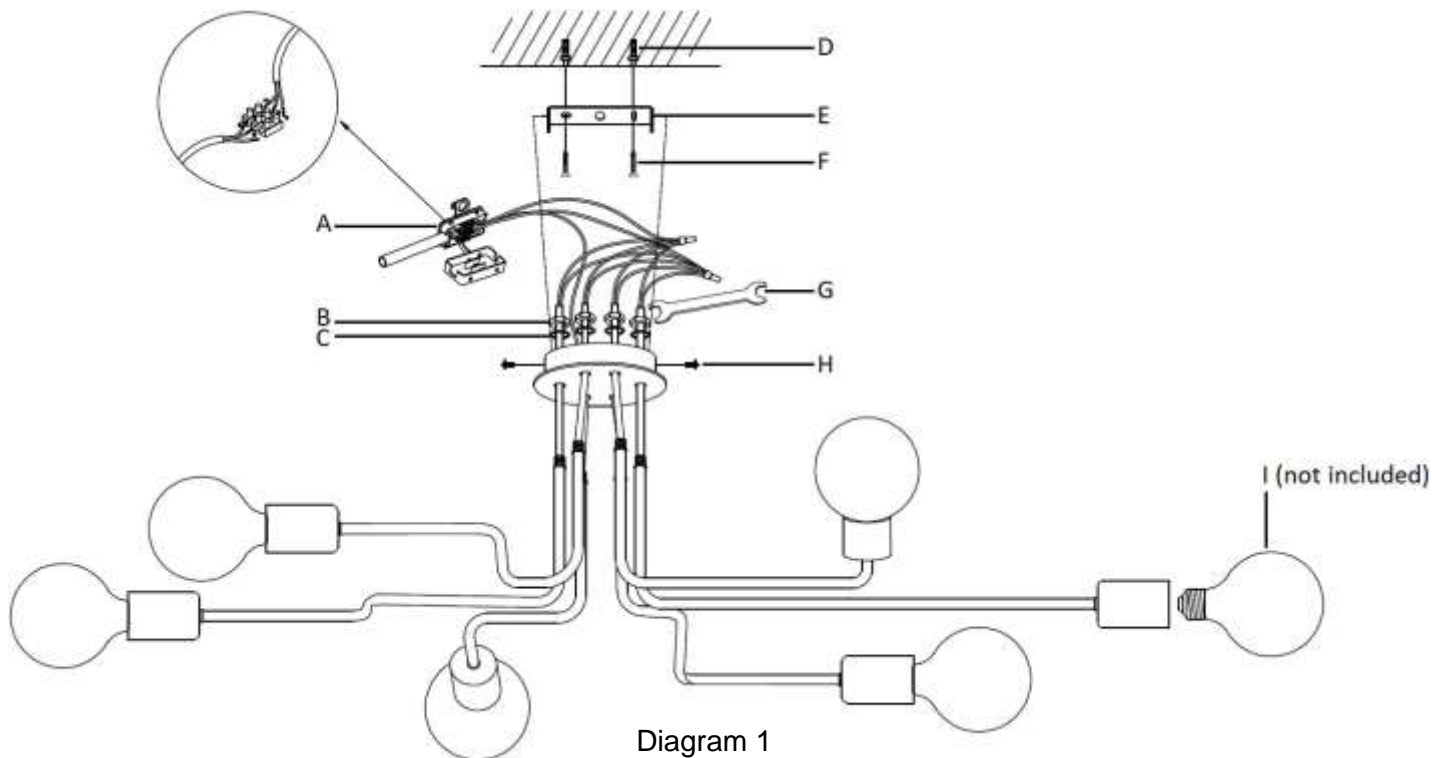
Yellow/Green or 

Blue

Brown

9. Ensure the wires are secure and no bare wires are exposed. Install the cover back over the terminal block (A).

10. Install the canopy onto the mounting bracket (E) and secure by tightening the screws (H) on both sides.
11. Install globes (I - not included) into the lamp holders. Do not exceed the maximum wattage rating.
12. After the installation, switch on the fitting to test and enjoy your new lighting product.



Safety tips

- Always ensure the power is OFF and the fitting has cooled down before performing any maintenance, cleaning, changing the globe or making any adjustment to the fitting.
- To avoid injury or damage to the fitting, ensure that power leads and screws are secure before connecting the power.
- Select a suitable location away from liquids and hazards.
- Ensure that the fitting does not come in contact with corrosive chemicals, etc.
- To clean, wipe with a damp clean cloth. Never soak the fitting with water.

Specifications

SKU #	011235	011236
Colour	Brass	Black
Rated Voltage	220-240V~ 50Hz	
Rated Wattage	270W Max. (6 x 45W Max.)	
Lamp Holder	ES / E27	
Weight	1.3kg	
Dimensions	H:165mm L:910mm W:460mm	