

## PORTER PENDANT

SKU# 011520, 011521, 011522, 011523

Rated Voltage 220-240V~ 50Hz

Thank you for purchasing this quality Lucci product. To ensure correct function and safety, please read and follow all instructions carefully before assembly, installation and use of this product. Please keep instructions for future reference.

### Warranty

- This light fitting is covered by a 12 month warranty. The warranty is from date of purchase, not the date of installation.
- If the fitting is not assembled and installed by a licensed electrician the warranty will be void.
- Please retain proof of purchase and evidence of installation by a licensed electrician.
- Warranty will be void if there is any damage due to improper usage or modification to the fitting.
- Failure to comply with the instructions in this manual may increase the risk of damage or injury and will void warranty.

### Installation Requirements

- This fitting must be assembled and installed by a licensed electrician.
- All wiring and installation of the light fitting must adhere to local and national wiring rules. eg. AS/NZS 3000:2007/Amendment 2:2012 Electrical installations.
- This is a Class II fitting and this must be maintained during installation and wiring.
- Do not exceed the maximum wattage rating.
- Select a suitable location for installation:
  - This product is suitable for indoor use only.
  - The mounting point must support 2 times the weight of the fitting.
  - Ensure the fitting is not installed in direct line of an air vent/system.
  - If installing a fitting in an area prone to moisture, ensure that the area is well ventilated and an appropriately rated exhaust fan is used if required. Damage or corrosion caused by moisture is not a product fault, and as such is not covered under warranty.
- Take care not to pull any electrical wires during unpacking as this may damage the connection.
- Lay out all the components on a smooth surface and make sure there are no components missing before assembling. If parts are missing, return the complete product to the place of purchase for inspection or replacement.
- Check whether the fitting has been damaged during transport. Do not operate/install any product which appears damaged in any way. Return the complete product to the place of purchase for inspection, repair or replacement.
- Ensure power to the circuit you are working on has been switched OFF before commencing any electrical work.

### Installation Directions

1. Remove all packaging material from the product and be careful not to throw away accessories that maybe hidden within the packaging material.
2. Install the mounting bracket (C) onto the ceiling by using appropriately sized mounting screws (D) and anchors (B). Ensure the screws (D) and anchors (B) used are suitable for the mounting surface and the surrounding environment.
3. Install the two plastic washers (E) in-between the cord and the mounting bracket (C) and cord anchorage (F). Secure the cord into the mounting bracket (C) by tightening the cord anchorage (F).
4. Remove the cover from the terminal block (A) and connect the mains supply wire.

#### Mains Supply Wire

Neutral – Blue or Black

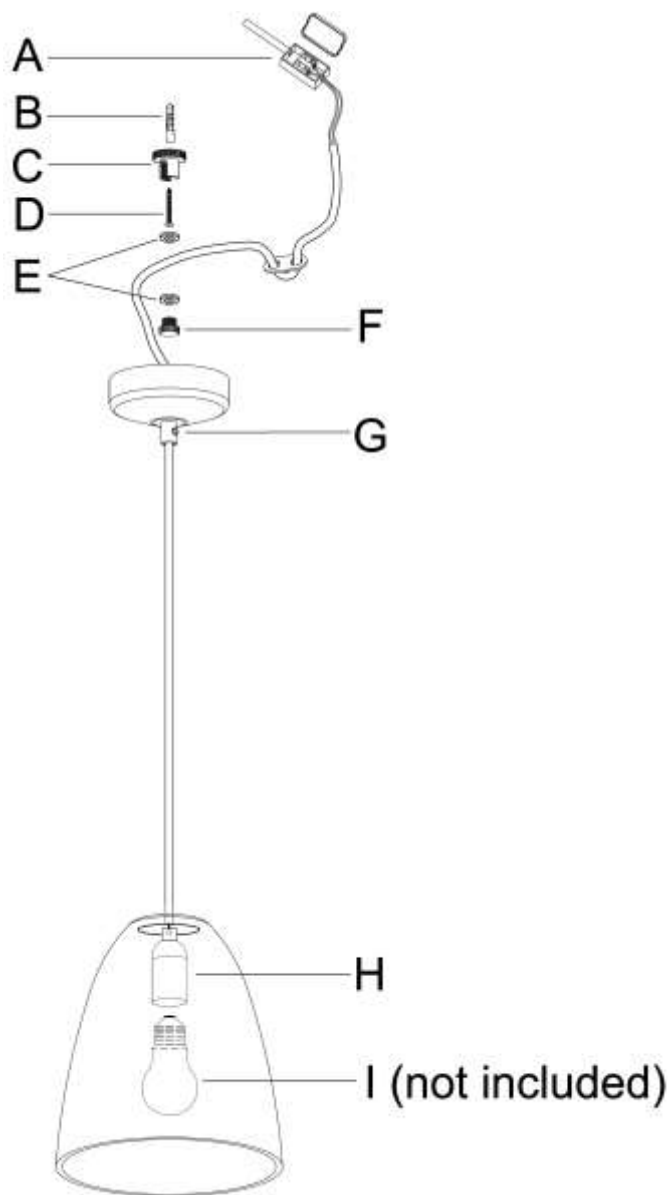
Live – Brown or Red

#### Fitting Wire

Blue or N

Brown or L

5. Ensure the wires are secure and no bare wires are exposed. Install the cover back over the terminal block (A).
6. Loosen the canopy cord anchorage (G) and slide the canopy along the cord to fully cover the mounting bracket (C) and terminal block (A).
7. Ensure the canopy (F) is flush on the ceiling and re-tighten the canopy cord anchorage (G) to hold it in position.
8. Install a globe (I - not included) into the lamp holder (H). Do not exceed the maximum wattage rating.
9. After the installation, switch on the fitting to test and enjoy your new lighting product.



## Safety Tips

- Always ensure the power is OFF and the fitting has cooled down before performing any maintenance, cleaning, changing the globe or making any adjustment to the fitting.
- To avoid injury or damage to the fitting, ensure that power leads and screws are secure before connecting the power.
- Select a suitable location away from liquids and hazards.
- Ensure that the fitting does not come in contact with corrosive chemicals, etc.
- To clean, wipe with a damp clean cloth. Never soak the fitting with water.

## Specifications

SKU #	011520	011521	011522	011523
Colour	White	Blue	Mint	Charcoal
Rated Voltage	220-240V~ 50Hz			
Rated Wattage	45W Max.			
Lamp Holder	ES / E27			
Weight	1.3kg			
Dimensions	H:190mm Dia:175mm Susp:2000mm			