

## MELE SQUAT PENDANT

SKU# 011570

Rated Voltage 220-240V~ 50Hz

Thank you for purchasing this quality Lucci product. To ensure correct function and safety, please read and follow all instructions carefully before assembly, installation and use of this product. Please keep instructions for future reference.

### Warranty

- This light fitting is covered by a 12 month warranty. The warranty is from date of purchase, not the date of installation.
- If the fitting is not assembled and installed by a licensed electrician the warranty will be void.
- Please retain proof of purchase and evidence of installation by a licensed electrician.
- Warranty will be void if there is any damage due to improper usage or modification to the fitting.
- Failure to comply with the instructions in this manual may increase the risk of damage or injury and will void warranty.

### Installation requirements

- Must be assembled and installed by a licensed electrician.
- All wiring and installation of the light fitting must adhere to local and national wiring rules. eg. AS/NZS 3000:2007/Amendment 2:2012 Electrical installations.
- Do not exceed the maximum wattage rating.
- Select a suitable location for installation:
  - This product is suitable for indoor use only.
  - The mounting point must support 2 times the weight of the fitting.
  - Ensure the fitting is not installed in direct line of an air vent/system.
  - If installing a fitting in an area prone to moisture, ensure that the area is well ventilated and an appropriately rated exhaust fan is used if required. Damage or corrosion caused by moisture is not a product fault, and as such is not covered under warranty.
- Take care not to pull any electrical wires during unpacking as this may damage the connection.
- Lay out all the components on a smooth surface and make sure there are no components missing before assembling. If parts are missing, return the complete product to the place of purchase for inspection or replacement.
- Check whether the fitting has been damaged during transport. Do not operate/install any product which appears damaged in any way. Return the complete product to the place of purchase for inspection, repair or replacement.
- Ensure power to the circuit you are working on has been switched OFF before commencing any electrical work.

### Installation directions

**NOTE: Due to the size and weight of the fitting, two people may be required to lift up the fitting during installation.**

1. Remove all packaging material from the product and be careful not to throw away accessories that may be hidden within the packaging material. To help with assembly, lay the fitting on its side on a smooth non scratch surface.
2. Use the mounting bracket (C) as a template to mark the position of the holes onto the ceiling.
3. Drill holes into the ceiling and place the plastic anchors (B) into the holes. Secure the mounting bracket (C) onto the ceiling by screws (G) provided. Ensure the screws (G) and anchors (B) used are suitable for the mounting surface and the surrounding environment.
4. Remove the lamp holder ring (P), sleeve (O) and washer pad (N) from the lamp holder (L).
5. Install the glass shade (M) onto the lamp holder (L) followed by the washer pad (N), sleeve (O) and secure with the lamp holder ring (P). Then place the wooden cover (K) in position.
6. Loosen the cord anchorage (J) to adjust the cord suspension length of the fitting.
7. Loop the steel suspension cable (F) through the mounting bracket (C). Adjust the length of the steel suspension cable (F) so the load/weight of the pendant is placed onto the steel suspension cable (F) and tighten the cable lock

- (E) by tightening the screw (D). Check that NO load/weight is placed onto the cord suspension. The full load/weight of the pendant must always be on the steel suspension cable (F) and never the cord suspension.
8. Re-tighten the cord anchorage (J) after adjusting the cord suspension and the steel suspension cable (F) to the desired length.
  9. Connect the mains supply wire to the terminal block (A) provided. Ensure that the wires are secure and no bare wires are exposed.

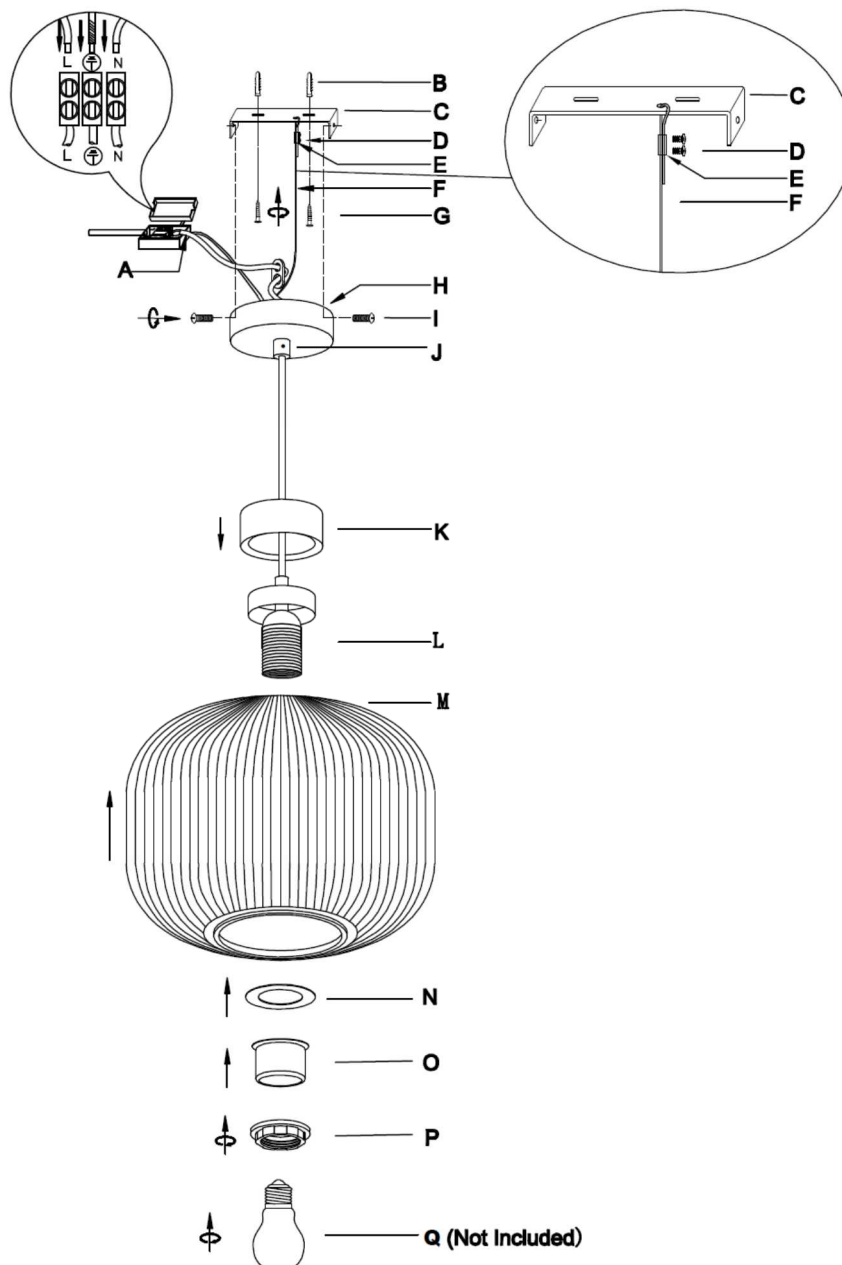
### Mains Supply Wire

- Earth – Yellow/Green
- Neutral – Blue or Black
- Live – Brown or Red

### Fitting Wire / Terminal block

- Yellow/Green or
- Blue or N
- Brown or L

10. Ensure the wires are secure and no bare wires are exposed. Install the cover back over the terminal block (A).
11. Install the canopy (H) onto the mounting bracket (C) by tightening the screws (I) on both sides.
12. Install the globes (Q – not included) into the lamp holders (L).
13. After the installation, switch on the fitting to test and enjoy your new lighting product.



## Safety tips

- Always ensure the power is OFF and the fitting has cooled down before performing any maintenance, cleaning, changing the globe or making any adjustment to the fitting.
- To avoid injury or damage to the fitting, ensure that power leads and screws are secure before connecting the power.
- Select a suitable location away from liquids and hazards.
- Ensure that the fitting does not come in contact with corrosive chemicals/solvents or abrasive cleaners etc.
- To clean, wipe with a damp clean cloth. Do NOT soak or immerse the product in water or other liquids.

## Specifications

SKU #	011570
Colour	Ash Wood with Frosted Glass Shade
Rated Voltage	220-240V~ 50Hz
Rated Wattage	45W Max.
Lamp Holder	ES / E27
Weight	2.3kg
Dimensions	H:260mm Dia:300mm Suspension:2000mm