

## HERMAN 3 LIGHT PENDANT UPLIGHTER

SKU# 011586, 011587

Rated Voltage 220-240V~ 50Hz

To ensure correct function and safety, please read and follow all instructions carefully before assembly, installation and use of this product. Please keep instructions for future reference.

### Warranty

- This luminaire is covered by a 12-month warranty. The warranty is from date of purchase, not the date of installation.
- If the luminaire is not assembled and installed by a licensed electrician the warranty will be void.
- Please retain the proof of purchase and evidence of installation by a licensed electrician for any warranty enquiries.
- Warranty will be void if there is any damage due to improper usage or modification to the luminaire.
- Failure to comply with the instructions in this manual may increase the risk of damage or injury and will void the warranty.

### Installation Requirements

- This luminaire must be assembled and installed by a licensed electrician.
- All wiring and installation of the light fitting must adhere to local and national wiring rules.  
eg. AS/NZS 3000 Electrical installations.
- This luminaire is a Class I product and must be earthed during wiring and installation.
- Do not exceed the maximum wattage rating.
- Select a suitable location for installation:
  - This product is suitable for indoor use only.
  - The mounting point must support 2 times the weight of the fitting.
  - When installing a luminaire in an area prone to moisture, ensure that the area is well ventilated, and an appropriately rated exhaust fan is used if required. Damage or corrosion caused by moisture is not a product fault, and as such is not covered under warranty.
- Take care not to pull any electrical wires during unpacking as this may damage the connection.
- Lay out all the components on a smooth surface and make sure there are no components missing before assembling. If parts are missing, return the complete product to the place of purchase for inspection or replacement.
- Check whether the luminaire has been damaged during transport. Do not operate/install any product which appears damaged in any way. Return the complete product to the place of purchase for inspection, repair or replacement.
- Ensure power to the circuit you are working on has been switched OFF before commencing any electrical work.

## Installation Directions

**WARNING: Ensure power to the circuit you are working on has been switched OFF before commencing any electrical work.**

1. Remove all packaging material from the product and be careful not to throw away accessories that may be hidden within the packaging material. To help with assembly, lay the luminaire on its side on a smooth non scratch surface.
2. Decide on the suspension length of your pendant by installing the different sections of suspension rods (G, H, I, J) onto the body (M) of your luminaire.

**NOTE: Take care not to twist and damage the cord during assembly. Pull the cord through suspension rods (G, H, I, J) as you assemble and relieve any twist in the cord by turning it anticlockwise.**

3. Pull the cord from the body (M) of your luminaire up into the canopy (F) and attach the canopy (F) to the top of the chosen suspension rod(s).
4. Remove the mounting bracket (B) from the canopy (F) by loosening the screws (E) on the sides.
5. Use the mounting bracket (B) as a template to mark the screw positions on the ceiling.
6. Install the mounting bracket (B) onto the ceiling by using appropriately sized mounting screws (C) and anchors (A). Ensure the screws (C) and anchors (A) used are suitable for the mounting surface and the surrounding environment.
7. Connect the mains supply wire and luminaire wires together to the terminal block (D). Ensure the wires are secure and no bare wires are exposed.

### Mains Supply Wire

Earth – Yellow/Green 

Neutral – Blue or Black

Live – Brown or Red

### Luminaire Wire/ Terminal Block

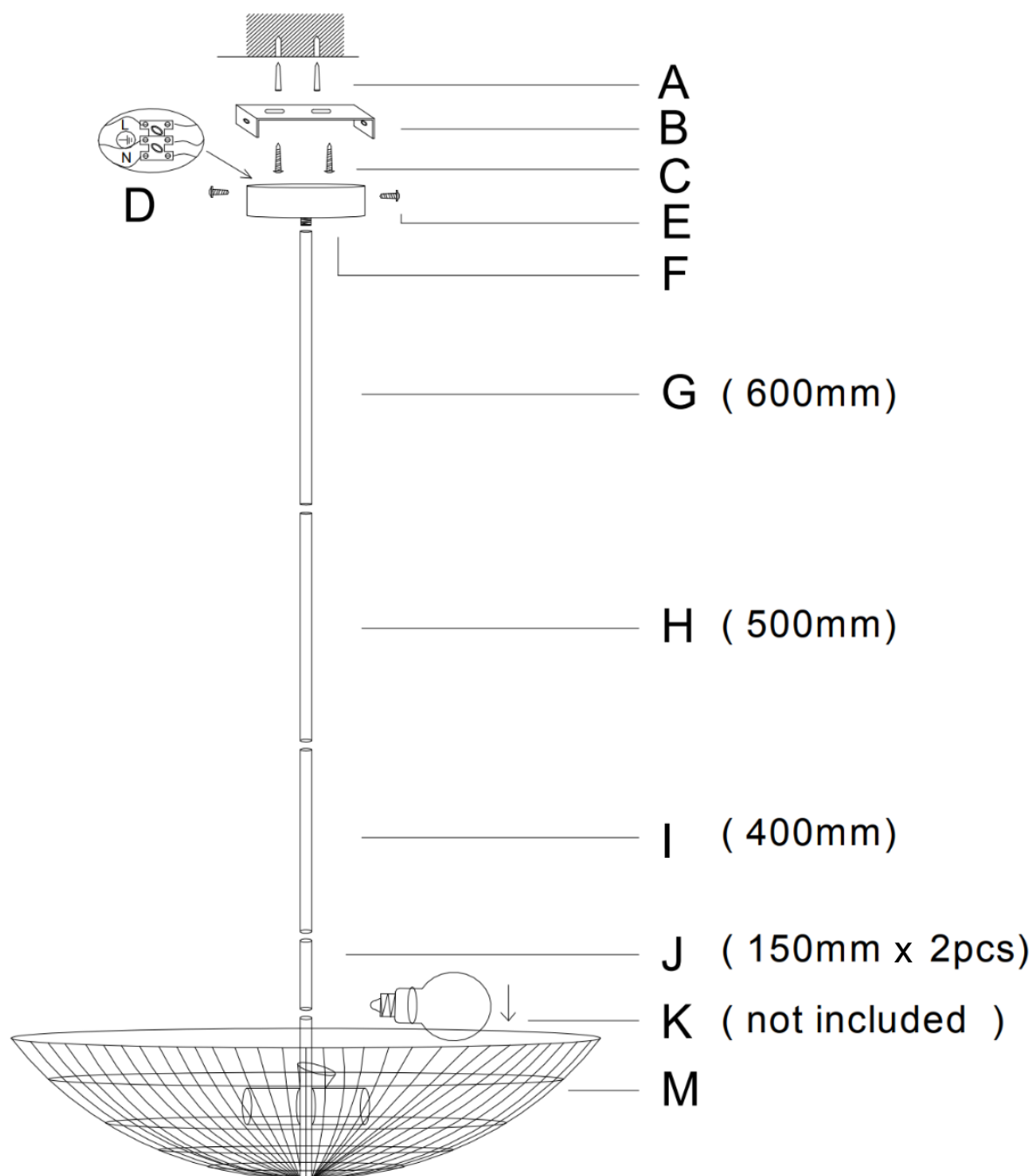
Yellow/Green or 

Blue or N

Brown or L

**NOTE: This luminaire is a Class I product and must be earthed during wiring and installation.**

8. Install the canopy (F) onto the mounting bracket (B) and secure by tightening the screws (E) on the sides.
9. Install globes (K – Not included) into the lamp holders. Do not exceed the maximum wattage rating.
10. After the full assembly and installation, switch on the luminaire to test and enjoy your new lighting product.



### Safety Tips

- Always ensure the power is OFF and the luminaire has cooled down before performing any maintenance, cleaning, changing the globe or making any adjustment to the luminaire.
- To avoid injury or damage to the luminaire, ensure that power leads and screws are secure before connecting power.
- Select a suitable location away from liquids and hazards.
- Ensure that the luminaire does not come in contact with corrosive chemicals, etc.
- To clean wipe with a damp clean cloth. Never soak the luminaire with water.

Specifications		
SKU #	011586	011587
Colour	Natural	Matte White
Rated Voltage	220-240V~ 50Hz	
Rated Wattage	135W Max. (3 x 45W Max.)	
Lamp Holder	ES / E27	
Weight	2.2kg	
Canopy Dimensions	H:35mm    Dia:120mm	
Luminaire Dimensions	Dia:610mm    H:170mm    Susp:1800mm	