

LAMODE 3LT PENDANT

SKU# 011626, 011627

Rated Voltage 220-240V~ 50Hz

Thank you for purchasing this quality Lucci product. To ensure correct function and safety, please read and follow all instructions carefully before assembly, installation and use of this luminaire. Please keep instructions for future reference.

Warranty

- This luminaire is covered by a 12 month warranty. The warranty is from date of purchase, not the date of installation.
- If the luminaire is not assembled and installed by a licensed electrician the warranty will be void.
- Please retain proof of purchase and evidence of installation by a licensed electrician for any warranty enquiries.
- Warranty will be void if there is any damage due to improper usage or modification to the luminaire.
- Failure to comply with the instructions in this manual may increase the risk of damage or injury and will void warranty.

Installation Requirements

- Must be assembled and installed by a licensed electrician.
- All wiring and installation of the luminaire must adhere to local and national wiring rules. eg. AS/NZS 3000:2007/Amendment 2:2012 Electrical installations.
- This luminaire is a Class I product and must be earthed during installation.
- Select a suitable location for installation:
 - This luminaire is suitable for indoor use only.
 - The mounting point must support 2 times the weight of the luminaire.
 - Ensure the luminaire is not installed in direct line of an air vent/system.
 - If installing a luminaire in an area prone to moisture, ensure that the area is well ventilated and an appropriately rated exhaust fan is used if required. Damage or corrosion caused by moisture is not a product fault, and as such is not covered under warranty.
- Take care not to pull any electrical wires during unpacking as this may damage the connection.
- Lay out all the components on a smooth surface and make sure there are no components missing before assembling. parts are missing, return the complete product to the place of purchase for inspection or replacement.
- Check whether the luminaire has been damaged during transport. Do not operate/install any product which appears damaged in any way. Return the complete product to the place of purchase for inspection, repair or replacement.
- Ensure power to the circuit you are working on has been switched OFF before commencing any electrical work.

Installation Directions

NOTE: Due to the size of the luminaire, two people may be required to lift up the luminaire during installation.


Remove all packaging material from the product and be careful not to throw away accessories that may be hidden within the packaging material. If assembly is required, place the luminaire on a smooth non-scratch surface.

1. Loosen the screws on the side of the canopy.
2. Use the mounting bracket as a template to mark the screw positions on the ceiling.
3. Install the mounting bracket onto the ceiling by using appropriately sized mounting screws and anchors. Ensure the screws and anchors used are suitable for the mounting surface and the surrounding environment.
4. Connect the mains supply wire to the terminal block. Ensure the wires are secure and no bare wires are exposed.

Mains Supply Wire

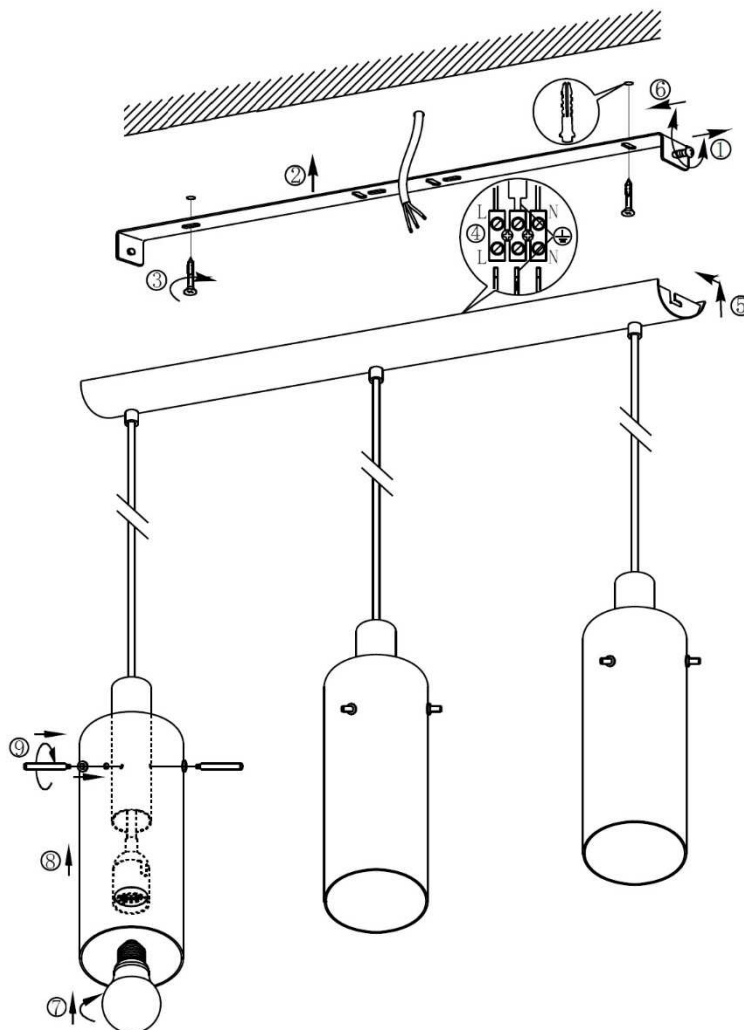
Earth – Yellow/Green
 Neutral – Blue or Black
 Live – Brown or Red

Luminaire Wire

Yellow/Green or 
 Blue or N
 Brown or L

5. Install the canopy over the mounting bracket.
6. Secure the canopy by tightening the screws on the side.
7. Install globes (not included) into the lamp holders. Do not exceed the maximum wattage rating.
8. Align the glass shade over the lamp holder cover.

9. Ensure the plastic grommets are in position on the glass shade. Install the rods through the glass shade and secure onto lamp holder cover.
10. After the installation, switch on the luminaire to test all the lighting functions and enjoy your new luminaire.



Safety Tips

- Always ensure the power is OFF and the luminaire has cooled down before performing any maintenance, cleaning or making any adjustment to the luminaire.
- To avoid injury or damage to the luminaire, ensure that power leads and screws are secure before connecting the power.
- Select a suitable location away from liquids and hazards.
- Ensure that the luminaire does not come in contact with corrosive chemicals/solvents or abrasive cleaners etc.
- To clean, wipe with a soft damp cloth. Do NOT soak or immerse the luminaire in water or other liquids.

Specifications

SKU #	011626	011627
Supplier Model Nr.	203262	203258
Colour	Black with Smoke Glass	Brushed Chrome with Clear Glass
Rated Voltage	220-240V~ 50Hz	
Rated Wattage	180W Max. (3x Max. 60W)	
Lamp Holder	ES / E27	
Weight	2.9kg	
Dimensions	L:1219mm W:48mm Susp:1800mm	