

LEXICON PENDANT

SKU# 011660, 011661, 011662, 011663

Rated Voltage 220-240V~ 50Hz

Thank you for purchasing this quality Lucci product. To ensure correct function and safety, please read and follow all instructions carefully before assembly, installation and use of this product. Please keep instructions for future reference.

Warranty

- This luminaire is covered by a 12 month warranty. The warranty is from date of purchase, not the date of installation.
- If the luminaire is not assembled and installed by a licensed electrician the warranty will be void.
- Please retain proof of purchase and evidence of installation by a licensed electrician.
- Warranty will be void if there is any damage due to improper usage or modification to the luminaire.
- Failure to comply with the instructions in this manual may increase the risk of damage or injury and will void warranty.

Installation requirements

- Must be assembled and installed by a licensed electrician.
- All wiring and installation of the luminaire must adhere to latest local and national wiring rules.
eg. AS/NZS 3000 Electrical installations.
- Do not exceed the maximum wattage rating.
- Select a suitable location for installation:
 - This product is suitable for indoor use only.
 - The mounting point must support 2 times the weight of the luminaire.
 - Ensure the luminaire is not installed in direct line of an air vent/system.
 - If installing a luminaire in an area prone to moisture, ensure that the area is well ventilated and an appropriately rated exhaust fan is used if required. Damage or corrosion caused by moisture is not a product fault, and as such is not covered under warranty.
- Take care not to pull any electrical wires during unpacking as this may damage the connection.
- Lay out all the components on a smooth surface and make sure there are no components missing before assembling. If parts are missing, return the complete product to the place of purchase for inspection or replacement.
- Check whether the luminaire has been damaged during transport. Do not operate/install any product which appears damaged in any way. Return the complete product to the place of purchase for inspection, repair or replacement.
- Ensure power to the circuit you are working on has been switched OFF before commencing any electrical work.

Installation directions

1. Remove all packaging material from the product and be careful not to throw away accessories that may be hidden within the packaging material. To help with assembly, lay the luminaire on its side on a smooth non-scratch surface.
2. Use the mounting bracket (E) as a template to mark the position of the holes onto the ceiling.
3. Drill holes into the ceiling and place the plastic anchors (D) into the holes. Secure the mounting bracket (E) onto the ceiling with the screws (F) provided. Ensure the screws (F) and anchors (D) used are suitable for the mounting surface and the surrounding environment.
4. To change the height of the pendant, adjust the cord suspension length by loosening the cord anchorage (H). After reaching the desired height, ensure the cord anchorage (H) is re-tightened without damaging the cord (I).
5. Connect the mains supply wire to the terminal block (B) provided. Ensure that the wires are secure and no bare wires are exposed. Then secure the cover (C) on the terminal block.

Mains Supply Wire

- Earth – Yellow/Green
- Neutral – Blue or Black
- Live – Brown or Red

Luminaire Wire / Terminal block

- Yellow/Green or
- Blue or N
- Brown or L

6. Install the canopy (G) onto the mounting bracket (E) and secure by tightening the screws on the side (A).
7. Install the shade (L) on the main body (J) securing by the lamp holder ring (M) and the decorative ring (N). (Figure 1)

Alternatively, install the decorative ring (P – sold separately SKU# 011676, 011677, 011678, 011679) followed by the shade (L), then secure by the lamp holder ring (M). (Figure 2)

NOTE: This luminaire is only compatible with the following shades (sold separately): SKU# 011664, 011665, 011666, 011667, 011668, 011669, 011673, 011674, and 011675.

8. Install a globe (N - not included) into the lamp holder (K).
9. After the installation, switch on the luminaire to test and enjoy your new lighting product.

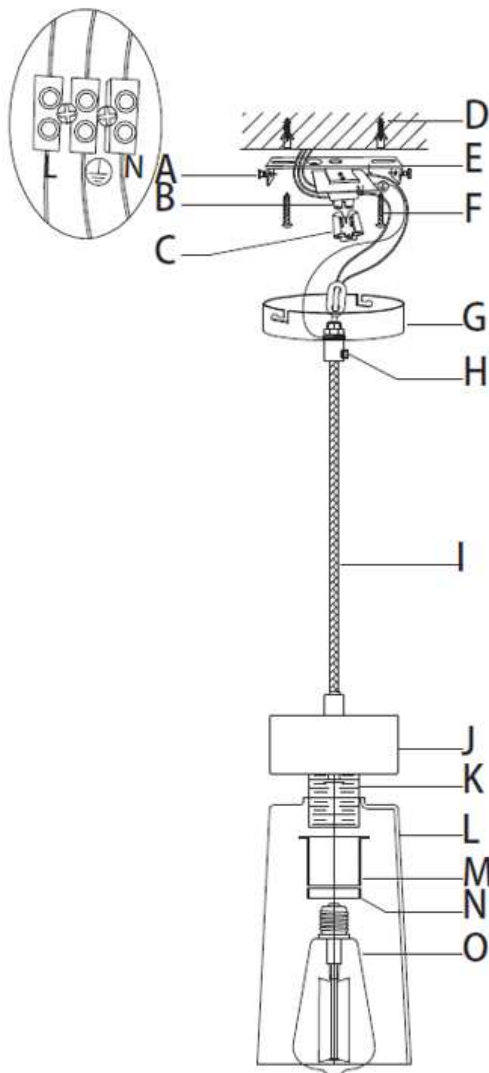


Figure 1

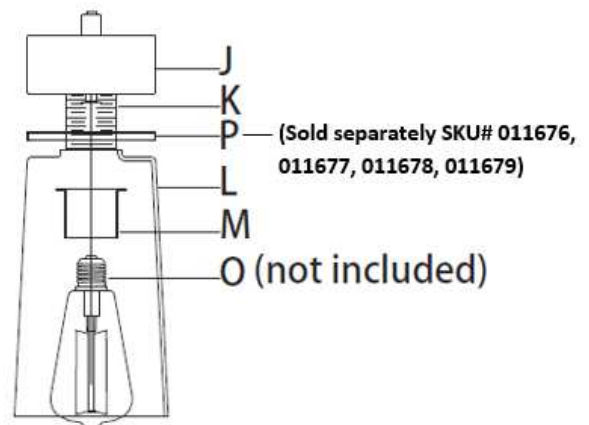


Figure 2

NOTE: This luminaire is only compatible with the following shades (sold separately): SKU# 011664, 011665, 011666, 011667, 011668, 011669, 011673, 011674, and 011675.

Safety tips

- Always ensure the power is OFF and the luminaire has cooled down before performing any maintenance, cleaning, changing the globe or making any adjustment to the luminaire.
- To avoid injury or damage to the luminaire, ensure that power leads and screws are secure before connecting the power.
- Select a suitable location away from liquids and hazards.
- Ensure that the luminaire does not come in contact with corrosive chemicals/solvents or abrasive cleaners etc.
- To clean, wipe with a damp clean cloth. Do NOT soak or immerse the product in water or other liquids.

Specifications

SKU #	011660	011661	011662	011663
Colour	Matte Black	Concrete	Teak	Walnut
Rated Voltage	220-240V~ 50Hz			
Rated Wattage	28W Max.			
Lamp Holder	ES / E27			
Weight	0.5kg (without shade) 1.5kg (Max. weight with shade)	0.7kg (without shade) 1.7kg (Max. weight with shade)	0.5kg (without shade) 1.5kg (Max. weight with shade)	0.5kg (without shade) 1.5kg (Max. weight with shade)
Canopy size	H:25mm Dia:110mm			
Dimensions	H:100mm Dia:100mm Susp:2000mm (without shade)			