

CONSTANCE PENDANT

SKU# 011760, 011761, 011762, 011763, 011764

Rated Voltage 220-240V~ 50Hz

Thank you for purchasing this quality Lucci product. To ensure correct function and safety, please read and follow all instructions carefully before assembly, installation and use of this luminaire. Please keep instructions for future reference.

Warranty

- This luminaire is covered by a 12 month warranty. The warranty is from date of purchase, not the date of installation.
- If the luminaire is not assembled and installed by a licensed electrician the warranty will be void.
- Please retain proof of purchase and evidence of installation by a licensed electrician for any warranty enquiries.
- Warranty will be void if there is any damage due to improper usage or modification to the luminaire.
- Failure to comply with the instructions in this manual may increase the risk of damage or injury and will void warranty.

Installation Requirements

- Must be assembled and installed by a licensed electrician.
- This luminaire is a Class I product and must be earthed during wiring and installation.
- All wiring and installation of the luminaire must adhere to the latest local and national wiring rules. eg. AS/NZS 3000 Electrical installations.
- Do not exceed the maximum wattage rating.
- Select a suitable location for installation:
 - This luminaire is suitable for indoor use only.
 - The mounting point must support 2 times the weight of the luminaire.
 - Ensure the luminaire is not installed in direct line of an air vent/system.
 - If installing a luminaire in an area prone to moisture, ensure that the area is well ventilated and an appropriately rated exhaust fan is used if required. Damage or corrosion caused by moisture is not a product fault, and as such is not covered under warranty.
- Take care not to pull any electrical wires during unpacking as this may damage the connection.
- Lay out all the components on a smooth surface and make sure there are no components missing before assembling. If parts are missing, return the complete product to the place of purchase for inspection or replacement.
- Check whether the luminaire has been damaged during transport. Do not operate/install any product which appears damaged in any way. Return the complete product to the place of purchase for inspection, repair or replacement.
- Ensure power to the circuit you are working on has been switched OFF before commencing any electrical work.


Installation Directions

1. Determine the length of the suspension rod required for your installation location.
2. Install the required length of suspension rods (H, I, J) onto the lamp holder bracket (K) of the luminaire. Pull the cord (Q) out as you assemble, to remove any slack. Take care not to cross thread or twist and damage the cord (Q).
3. Pull the cord up into the canopy (E) and install the canopy (E) onto the top of the suspension rod.
4. Use the mounting bracket (B) as a template to mark the screw positions on the ceiling.
5. Install the mounting bracket (B) onto the ceiling by using appropriately sized mounting screws (C) and anchors (A). Ensure the screws (C) and anchors (A) used are suitable for the mounting surface and the surrounding environment.
6. Loop the figure-8 cord anchorage (G) onto the cord (Q).
7. Connect luminaire wires and the main supply wires to the terminal block (D).

Mains Supply Wire

Earth – Yellow/Green
 Neutral – Blue or Black
 Live – Brown or Red

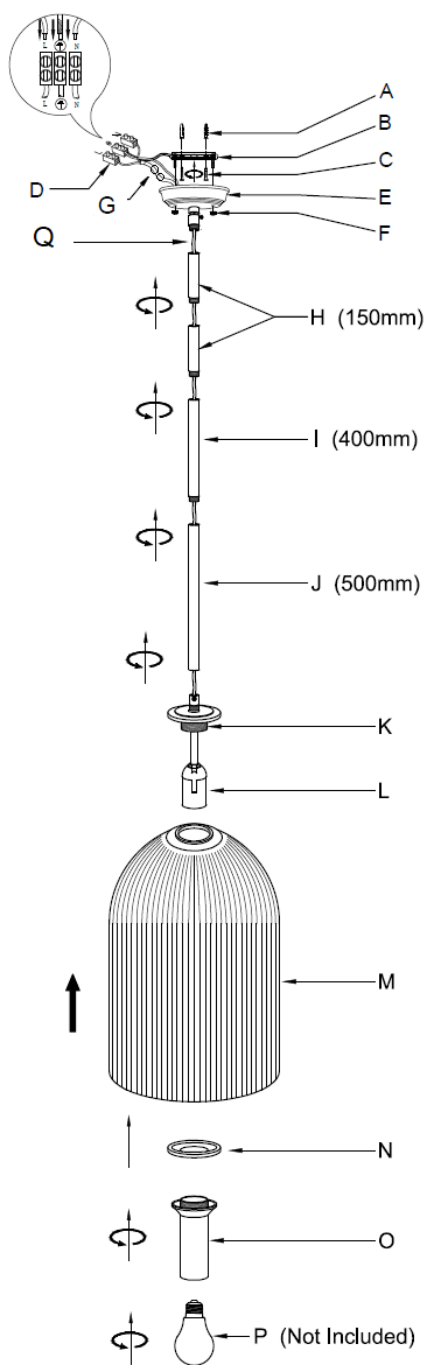
Luminaire Wire / Terminal block

Yellow/Green or 
 Blue or N
 Brown or L

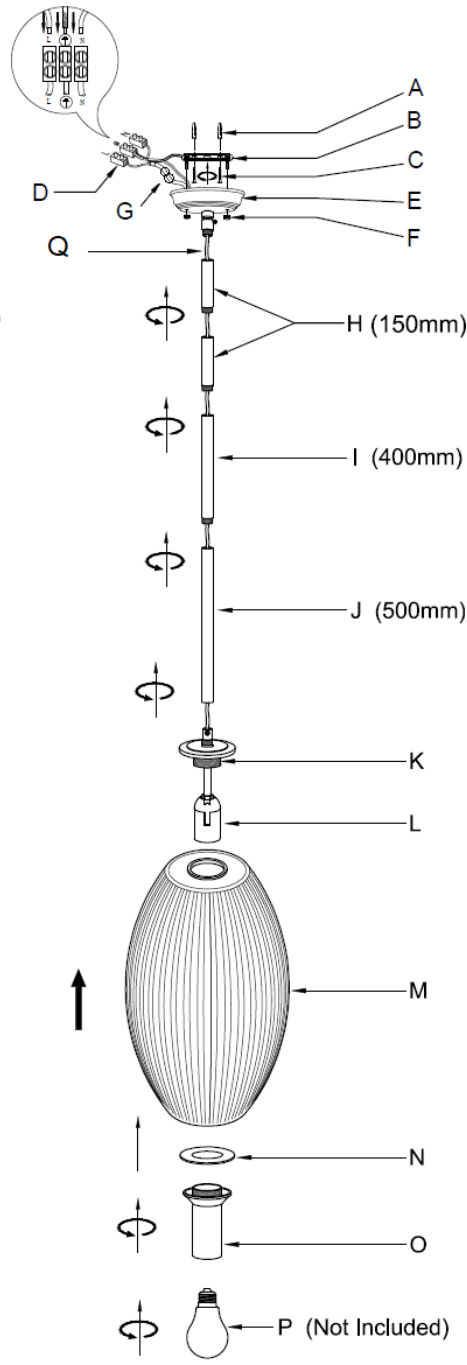
Ensure the wires are secure and no bare wires are exposed.

Installation Instructions

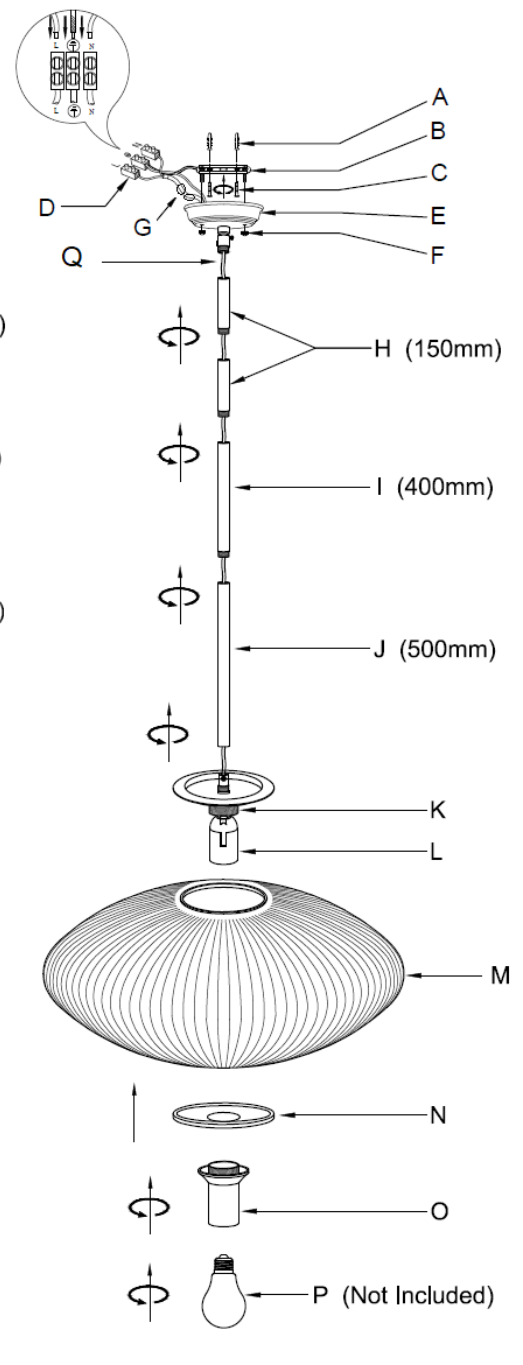
8. Install the canopy (E) onto the mounting bracket (B) and secure by tightening the nuts (F).
9. Install the glass shade (M) on to lamp holder bracket (K) followed by the plate (N) and secure by tightening the lamp holder cover kit (O) onto the lamp holder bracket (K).
10. Install a globe (P – not included) into the lamp holder (L). Do not exceed the maximum wattage rating.
11. After the installation, switch on the luminaire to test and enjoy your new lighting product.



SKU#011760, 011761



SKU#011762, 011763



SKU#011764

Safety Tips

- Always ensure the power is OFF and the luminaire has cooled down before performing any maintenance, cleaning, changing the globe or making any adjustment to the luminaire.
- To avoid injury or damage to the luminaire, ensure that power leads and screws are secure before connecting the power.
- Select a suitable location away from liquids and hazards.
- Ensure that the luminaire does not come in contact with corrosive chemicals/solvents or abrasive cleaners etc.
- To clean, wipe with a damp clean cloth. Do NOT soak or immerse the luminaire in water or other liquids.

Specifications

SKU #	011760	011761	011762	011763	011764
Colour	Opal Frosted				
Rated Voltage	220-240V~ 50Hz				
Rated Wattage	45W Max.				
Lamp Holder	ES / E27				
Weight	3.3kg	5.0kg	2.0kg	3.6kg	4.5kg
Canopy Size	H:25mm Dia:110mm				
Dimensions	H:365mm Dia:265mm Susp:1200mm	H:485mm Dia:355mm Susp:1200mm	H:305mm Dia:200mm Susp:1200mm	H:505mm Dia:300mm Susp:1200mm	H:220mm Dia:500mm Susp: 1200mm