

DULVERTON PENDANT

SKU# 011710, 011771

Rated Voltage 220-240V~ 50Hz

Thank you for purchasing this quality Lucci product. To ensure correct function and safety, please read and follow all instructions carefully before assembly, installation and use of this luminaire. Please keep instructions for future reference.

Warranty

- This luminaire is covered by a 12 month warranty. The warranty is from date of purchase, not the date of installation.
- If the luminaire is not assembled and installed by a licensed electrician the warranty will be void.
- Please retain proof of purchase and evidence of installation by a licensed electrician for any warranty enquiries.
- Warranty will be void if there is any damage due to improper usage or modification to the luminaire.
- Failure to comply with the instructions in this manual may increase the risk of damage or injury and will void warranty.

Installation Requirements

- Must be assembled and installed by a licensed electrician.
- All wiring and installation of the luminaire must adhere to the latest local and national wiring rules. eg. AS/NZS 3000 Electrical installations.
- Select a suitable location for installation:
 - This luminaire is suitable for indoor use only.
 - The mounting point must support 2 times the weight of the luminaire.
 - Ensure the luminaire is not installed in direct line of an air vent/system.
 - If installing a luminaire in an area prone to moisture, ensure that the area is well ventilated and an appropriately rated exhaust fan is used if required. Damage or corrosion caused by moisture is not a product fault, and as such is not covered under warranty.
- Take care not to pull any electrical wires during unpacking as this may damage the connection.
- Lay out all the components on a smooth surface and make sure there are no components missing before assembling. If parts are missing, return the complete product to the place of purchase for inspection or replacement.
- Check whether the luminaire has been damaged during transport. Do not operate/install any product which appears damaged in any way. Return the complete product to the place of purchase for inspection, repair or replacement.
- Ensure power to the circuit you are working on has been switched OFF before commencing any electrical work.

Installation Directions

Remove all packaging material from the product and be careful not to throw away accessories that may be hidden within the packaging material. If assembly is required, place the luminaire on a smooth non-scratch surface.

Switch off the power before installation.

1. Loose the nut of the canopy then take the mounting bracket out.
2. Use the mounting bracket as a template to mark the screw positions on the ceiling.
3. Pull the supply cable via the cable entry of the mounting bracket.
4. Install the mounting bracket onto the ceiling by using appropriately sized mounting screws and anchors. Ensure the screws and anchors used are suitable for the mounting surface and the surrounding environment.
5. Connect the mains supply wire to the terminal block provided. Ensure that the wires are secure and no bare wires are exposed.

Mains Supply Wire

Earth – Yellow/Green

Neutral – Blue or Black

Live – Brown or Red

Luminaire Wire / Terminal block

Yellow/Green or 

Blue or N

Brown or L

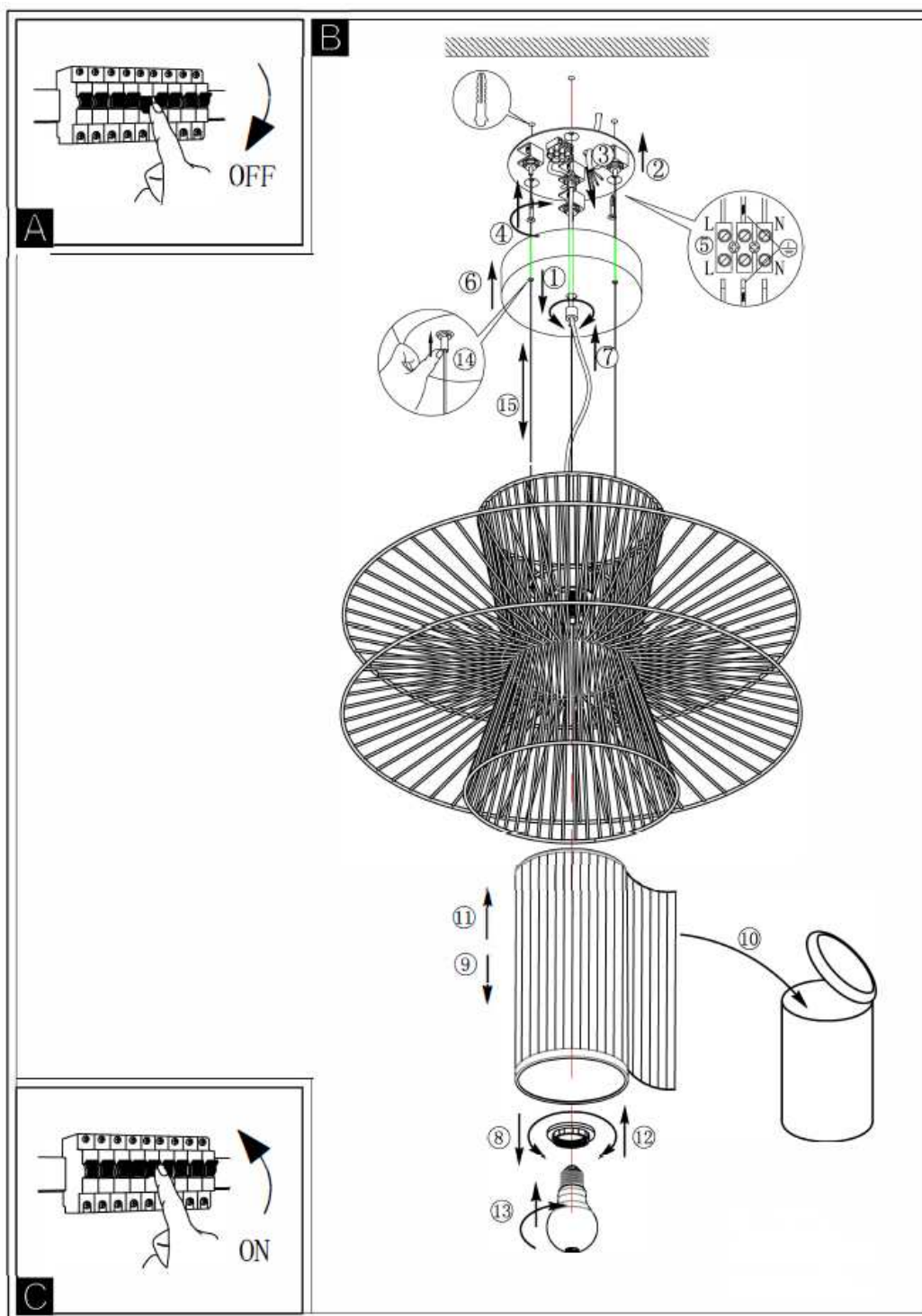
6. Install the canopy onto the mounting bracket.
7. Tight and secure the nut on the bottom of the canopy.

8. Remove the lamp holder ring from the lamp holder.
9. Take the inner fabric lamp shade out.
10. Remove all packaging material from the fabric lamp shade.
11. Install the fabric lamp shade back to the luminaire.
12. Install the lamp holder ring back to the luminaire.
13. Install a globe (not included) into the lamp holder. Do not exceed the maximum wattage rating.
14. Press the knob on the canopy to adjust the length of the suspension cable.

NOTE: The full load/weight of the pendant must always be on the three steel suspension wires and never on the supply cord.

15. Adjust the length of the suspension cable according to your need.

After the installation, switch on the luminaire to test all the lighting functions and enjoy your new lighting product.



Safety Tips

- Always ensure the power is OFF and the luminaire has cooled down before performing any maintenance, cleaning or making any adjustment to the luminaire.
- To avoid injury or damage to the luminaire, ensure that power leads and screws are secure before connecting the power.
- Select a suitable location away from liquids and hazards.
- Ensure that the luminaire does not come in contact with corrosive chemicals/solvents or abrasive cleaners etc.
- To clean, wipe with a soft damp cloth. Do NOT soak or immerse the luminaire in water or other liquids.

Specifications

SKU #	011770	011771
Supplier Model Nr.	203833	203834
Colour	Black	
Rated Voltage	220-240V~ 50Hz	
Rated Wattage	45W Max.	
Lamp Holder	E27 / ES	
Weight	3.8kg	5.0kg
Canopy size	H:36mm Dia:148mm	H:36mm Dia:148mm
Dimensions	H:395mm Dia:580mm Susp:2000mm	H:500mm Dia:800mm Susp:2000mm