

## CAPITAL 1LT SWING PENDANT

SKU# 011805, 011806

Rated Voltage 220-240V~ 50Hz

Thank you for purchasing this quality Lucci product. To ensure correct function and safety, please read and follow all instructions carefully before assembly, installation and use of this luminaire. Please keep instructions for future reference.

### Warranty

- This luminaire is covered by a 12 month warranty. The warranty is from date of purchase, not the date of installation.
- If the luminaire is not assembled and installed by a licensed electrician the warranty will be void.
- Please retain proof of purchase and evidence of installation by a licensed electrician for any warranty enquiries.
- Warranty will be void if there is any damage due to improper usage or modification to the luminaire.
- Failure to comply with the instructions in this manual may increase the risk of damage or injury and will void warranty.

### Installation Requirements

- Must be assembled and installed by a licensed electrician.
- All wiring and installation of the luminaire must adhere to the latest local and national wiring rules. eg. AS/NZS 3000 Electrical Installations.
- This luminaire is a Class II product and must be maintained during wiring and installation.
- Do not exceed the maximum wattage rating.
- Select a suitable location for installation:
  - This luminaire is suitable for indoor use only.
  - The mounting point must support 2 times the weight of the luminaire.
  - Ensure the luminaire is not installed in direct line of an air vent/system.
  - If installing a luminaire in an area prone to moisture, ensure that the area is well ventilated and an appropriately rated exhaust fan is used if required. Damage or corrosion caused by moisture is not a product fault, and as such is not covered under warranty.
- Take care not to pull any electrical wires during unpacking as this may damage the connection.
- Lay out all the components on a smooth surface and make sure there are no components missing before assembling. If parts are missing, return the complete product to the place of purchase for inspection or replacement.
- Check whether the luminaire has been damaged during transport. Do not operate/install any product which appears damaged in any way. Return the complete product to the place of purchase for inspection, repair or replacement.
- Ensure power to the circuit you are working on has been switched OFF before commencing any electrical work.

### Installation Directions

1. Remove all packaging material from the product and be careful not to throw away accessories that may be hidden within the packaging material. If assembly is required, place the luminaire on a smooth non-scratch surface.
2. There are 2 lamp holder covers included: K - textured surface (pre-installed) & L - smooth surface (accessory). If you prefer the smooth surface cover, all the wiring to the canopy needs to be removed to swap over the cover. Please do this before installation of the luminaire.
3. Remove the mounting bracket (F) from the canopy (B) by loosening the screws on the sides (H).
4. Use the mounting bracket (F) as a template to mark the screw positions on the ceiling.
5. Install the mounting bracket (F) onto the ceiling by using appropriately sized screws (A) and anchors (D). Ensure the screws (A) and anchors (D) used are suitable for the mounting surface and the surrounding environment. (Fig. 1)

6. Remove the cover from the terminal block (E) and connect the mains supply wire. (Fig. 2)

**Mains Supply Wire**

Neutral – Blue or Black  
 Live – Brown or Red

**Terminal Block / Luminaire Wire**

Blue or N  
 Brown or L

**NOTE:** Only one of the terminal blocks is required to be connected to the mains supply. The terminal block (O) in the other canopy will only be used when through wiring is required. Ensure the cover is securely attached.

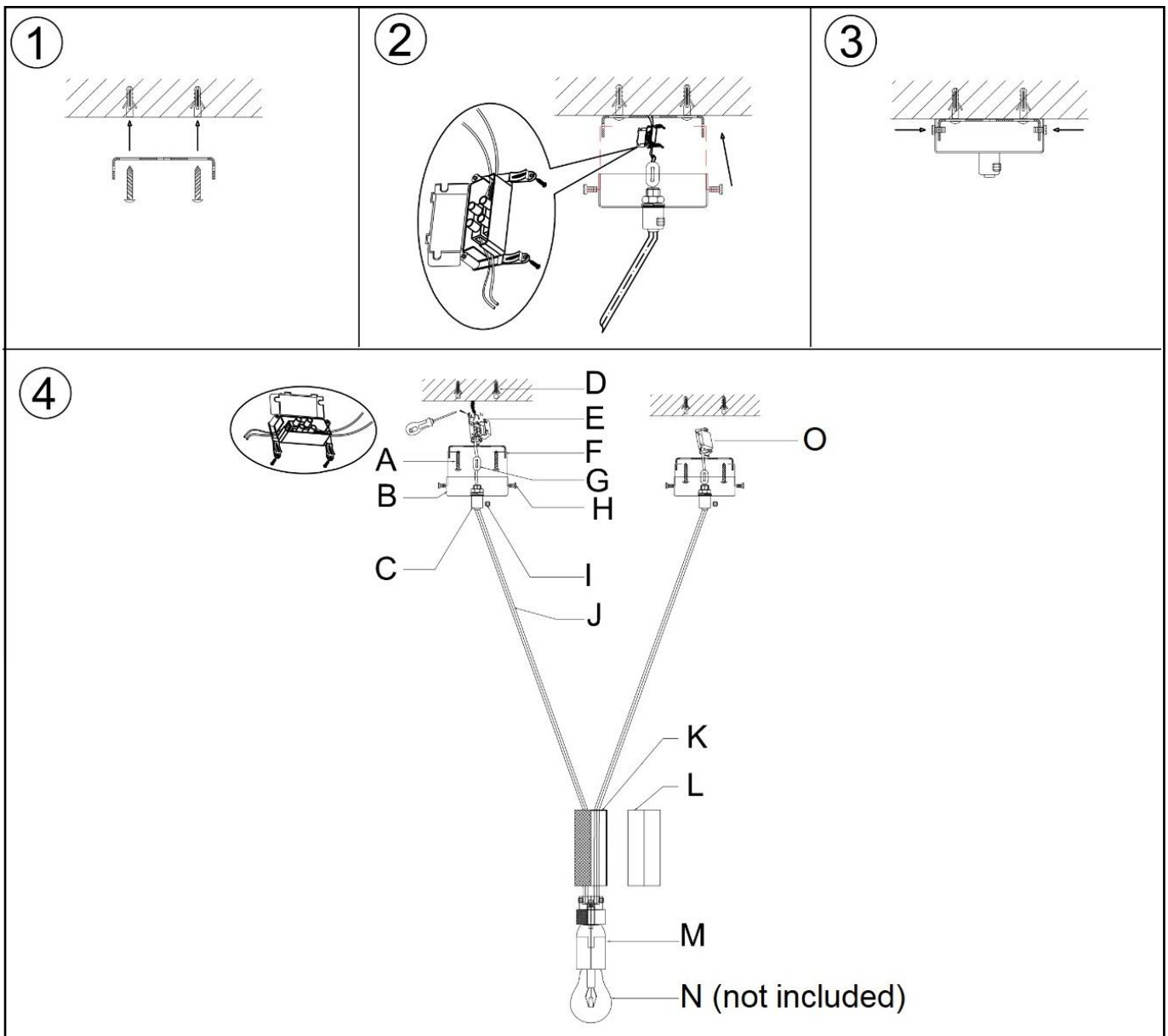
**WARNING:** If one terminal block is connected to the mains supply, the terminal block (O) in the other canopy will be live. Make sure the power is switched off before you commence any through wiring connection.

For through wiring connection the use of a different canopy is required – SKU# 011807 – sold separately.

7. Ensure the wires are secure and no bare wires are exposed. Install the cover back over the terminal block (E).

**NOTE:** This is a Class II product. This must be maintained during wiring and installation.

8. Install the canopy (B) onto the mounting bracket (F) and secure by tightening the screws (H) on the sides.  
 9. Install a globe (N - not included) into the lamp holder (M). Do not exceed the maximum wattage rating.  
 10. After the installation, switch on the luminaire to test all the lighting functions and enjoy your new luminaire.



## Safety Tips

- Always ensure the power is OFF and the luminaire has cooled down before performing any maintenance, cleaning, changing the globe or making any adjustment to the luminaire.
- To avoid injury or damage to the luminaire, ensure that power leads and screws are secure before connecting the power.
- Select a suitable location away from liquids and hazards.
- To clean, wipe with a soft damp cloth. Do NOT soak or immerse the luminaire in water or other liquids.
- Ensure that the luminaire does not come in contact with corrosive chemicals/solvents or abrasive cleaners etc.

## Specifications

SKU #	011805	011806
Colours	Matte Black	Antique Nickel
Rated Voltage	220-240V~ 50Hz	
Rated Wattage	Max. 45W	
Lamp Holder	ES / E27	
Weight	1.0kg	
Canopy Dimensions	H:25mm Dia:80mm	
Luminaire Dimensions	H:100mm Dia:42mm Susp:2000mm	