

DUSK 1 LIGHT PENDANT

SKU# 018350, 018351

Rated Voltage 220-240V~ 50Hz

To ensure correct function and safety, please read and follow all instructions carefully before assembly, installation and use of this product. Please keep instructions for future reference.

Warranty

- This luminaire is covered by a 12-month warranty. The warranty is from date of purchase, not the date of installation.
- If the luminaire is not installed by a licensed electrician the warranty will be void.
- Please retain proof of purchase and evidence of installation by a licensed electrician.
- Warranty will be void if there is any damage due to improper usage or modification to the luminaire.
- Failure to comply with the instructions in this manual may increase the risk of damage or injury and will void warranty.

Installation Requirements

- This luminaire must be assembled and installed by a licensed electrician.
- All wiring and installation of the luminaire must adhere to the latest local and national wiring rules. E.g., AS/NZS 3000 Electrical Installations.
- This luminaire is a Class II product, this must be maintained during wiring and installation of the luminaire.
- This luminaire is rated IP44 and must be maintained during wiring and installation of the luminaire.
- Do not exceed the maximum wattage rating. This luminaire must be used with LED lamps only.
- Select a suitable location for installation:
 - This luminaire is suitable for indoor or outdoor use.
 - The mounting point must support 2 times the weight of the luminaire.
 - This luminaire is rated against water penetration to IP44 standards, which is water splashing from any direction
- Take care not to pull any electrical wires during unpacking as this may damage the connection.
- Lay out all the components on a smooth surface and make sure there are no components missing before assembling. If parts are missing, return the complete product to the place of purchase for inspection or replacement.
- Check whether the luminaire has been damaged during transport. Do not operate/install any product which appears damaged in any way. Return the complete product to the place of purchase for inspection, repair or replacement.
- Ensure power to the circuit you are working on has been switched OFF before commencing any electrical work.

Installation Directions

1. Remove all packaging material from the product and be careful not to throw away accessories that may be hidden within the packaging material. If assembly is required, place the luminaire on a smooth non-scratch surface.
2. Determine the suspension length required for your installation location. If the length of the suspension cord (H), requires adjustment, loosen the cord anchorage (G) and adjust the length of the suspension cord (H). Tighten the cord anchorage (G), take care not to overtighten and damage the suspension cord (H).
3. Remove the mounting bracket (B) from the canopy (F) by loosening the screws (E) on both sides.
4. Use the mounting bracket (B) as a template to mark the screw hole positions on the ceiling.
5. Install the mounting bracket (B) onto the ceiling by using appropriately sized mounting screws (C) and anchors (A). Ensure the screws (C) and anchors (A) used are suitable for the mounting surface and surrounding environment.
6. Open the terminal box and connect the mains supply wire to the terminal block (D).

Mains Supply Wire

Neutral – Blue or Black

Live – Brown or Red

Luminaire Wire / Terminal block

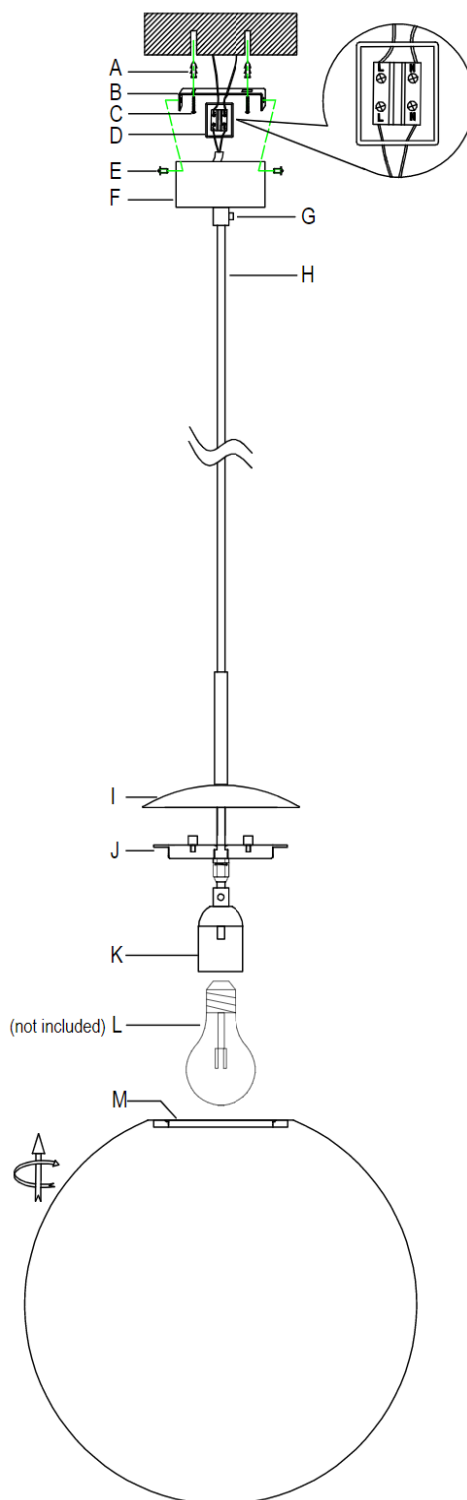
Blue or N

Brown or L

7. Ensure the wires are secure and no bare wires are exposed.
 8. Install the cover back over the terminal box and ensure it is secure to maintain the IP44 rating.
- NOTE: The luminaire is a Class II product, this must be maintained during wiring and installation.**
9. Install the canopy (F) onto the mounting bracket (B) and secure by tightening the screws (E) on both sides.
 10. Install a globe (L - not included) into the lamp holder (K). Do not exceed the maximum wattage rating.

NOTE: This luminaire must be used with a LED lamp only.

11. Install the shade (M) onto the threaded plate (J) and ensure it is secure to maintain the IP44 rating.
12. Push the decorative cover (I) down over the threaded plate (J) and shade (M).
13. After the installation, switch on the luminaire to test all the lighting functions and enjoy your new lighting product



Safety Tips

- Always ensure the power is OFF and the luminaire has cooled down before performing any maintenance, cleaning, changing the globe or making any adjustment to the luminaire.
- To avoid injury or damage to the luminaire, ensure that power leads and screws are secure before connecting the power.
- Select a suitable location away from liquids and hazards.
- To clean, wipe with a soft damp cloth. Do NOT soak or immerse the luminaire in water or other liquids.
- Ensure that the luminaire does not come in contact with corrosive chemicals/solvents or abrasive cleaners etc.

Specifications

SKU #	018350	018351
Rated Voltage	220-240V~ 50Hz	
Rated Wattage	Max. 15W (LED lamps only)	
Lamp Holder	E27	
IP rating	IP 44	
Weight	1.2 kg	1.7 kg
Canopy Dimensions	H:40mm Dia:80mm	
Luminaire Dimensions	H:340mm Dia:250mm Susp:2000mm	H:440mm Dia:350mm Susp:2000mm