

## CAMPARI 2 LIGHT PENDANT

SKU# 018382, 018383

Rated Voltage 220-240V~ 50Hz

To ensure correct function and safety, please read and follow all instructions carefully before assembly, installation and use of this product. Please keep instructions for future reference.

### Warranty

- This luminaire is covered by a 12 months warranty. The warranty is from date of purchase, not the date of installation.
- If the luminaire is not assembled and installed by a licensed electrician, the warranty will be void.
- Please retain the proof of purchase and evidence of installation by a licensed electrician for any warranty enquiries.
- Warranty will be void if there is any damage due to improper usage or modification to the luminaire.
- Failure to comply with the instructions in this manual may increase the risk of damage or injury and will void the warranty.

### Installation Requirements

- This luminaire must be assembled and installed by a licensed electrician.
- All wiring and installation of the luminaire must adhere to the latest local and national wiring rules. E.g., AS/NZS 3000 Electrical Installations.
- The luminaire is a Class I product and must be earthed during wiring and installation.
- Do not exceed the maximum wattage rating.
- Select a suitable location for installation:
  - This luminaire is suitable for indoor use only.
  - The mounting point must support 2 times the weight of the luminaire.
  - Ensure the luminaire is not installed in the direct line of an air vent/system.
  - If installing a luminaire in an area prone to moisture, ensure that the area is well ventilated, and an appropriately rated exhaust fan is used if required. Damage or corrosion caused by moisture is not a product fault, and as such is not covered under warranty.
- Take care not to pull any electrical wires during unpacking as this may damage the connection.
- Lay out all the components on a smooth surface and make sure no components are missing before assembling. If parts are missing, return the complete product to the place of purchase for inspection or replacement.
- Check whether the luminaire has been damaged during transport. Do not operate/install any product which appears damaged in any way. Return the complete product to the place of purchase for inspection, repair or replacement.
- Ensure power to the circuit you are working on has been switched OFF before commencing any electrical work.

## Installation Directions


**NOTE: Due to the size/weight/wiring of the luminaire, two people will be required to lift it during the installation process.**

1. Remove all packaging material from the product and be careful not to throw away accessories that may be hidden within the packaging material, then place the luminaire on a smooth non-scratch surface during assembly.
2. Remove the mounting bracket (B) from the canopy (G) by loosening the screw nut (Q) & hex nut (P).
3. Decide on the suspension length for the wide shade (L) of your pendant by installing the different sections of suspension rods (H, J) onto the body (K) of your luminaire, and then tightening the screw with the Allen key (O). Repeat this for the narrow shade (T) of your pendant by installing suspension rods onto the body (S) of your luminaire. NOTE: If you are using both suspension rods (H & J) on one or both sides of your pendant, connect them together using the threaded pipe (I) and secure it by tightening the screws with the Allen key (O). Feed the cord of luminaires through as you assemble to remove any slack. Take care not to cross thread the suspension rods or twist and damage the cords of luminaires.
4. Pull the luminaire cord up into the canopy (G) and attach the canopy (G) to the top of the suspension rod, and secure it by tightening the screw with the Allen key (O). Repeat this for both sides of the pendant.
5. Install the "figure 8" shape cord anchorage onto the cord of luminaire inside the canopy. Ensure to leave enough room for connection to the terminal block (N).
6. Install the marble finial (R) onto the luminaire body and ensure it is secure.
7. Use the mounting bracket (B) as a template to mark the screw positions on the ceiling.
8. Install the mounting bracket (B) onto the ceiling by using appropriately sized mounting screws (D) & washer (C) and anchors (A). Ensure the screws (D) & washer (C) and anchors (A) used are suitable for the mounting surface and the surrounding environment.
9. Connect the mains supply wire to the terminal block (N).

### Mains Supply Wire

Earth – Yellow/Green  
 Neutral – Blue or Black  
 Live – Brown or Red

### Luminaire Wire / Terminal block

Yellow/Green or   
 Blue or N  
 Brown or L

Ensure that the wires are secure, and no bare wires are exposed.

**NOTE: The luminaire is a Class I product and must be earthed during wiring and installation.**

10. Install the canopy (G) onto the mounting bracket (B) and secure it by the screw nut (Q) & hex nut (P).
11. Install globes (U - not included) into the lamp holder. Do not exceed the maximum wattage rating.
12. Adjust the luminaire arms to you desired angle.

**NOTE: Do not adjust the arms more than 40° in any direction, as this may damage the joint or the internal wiring.**

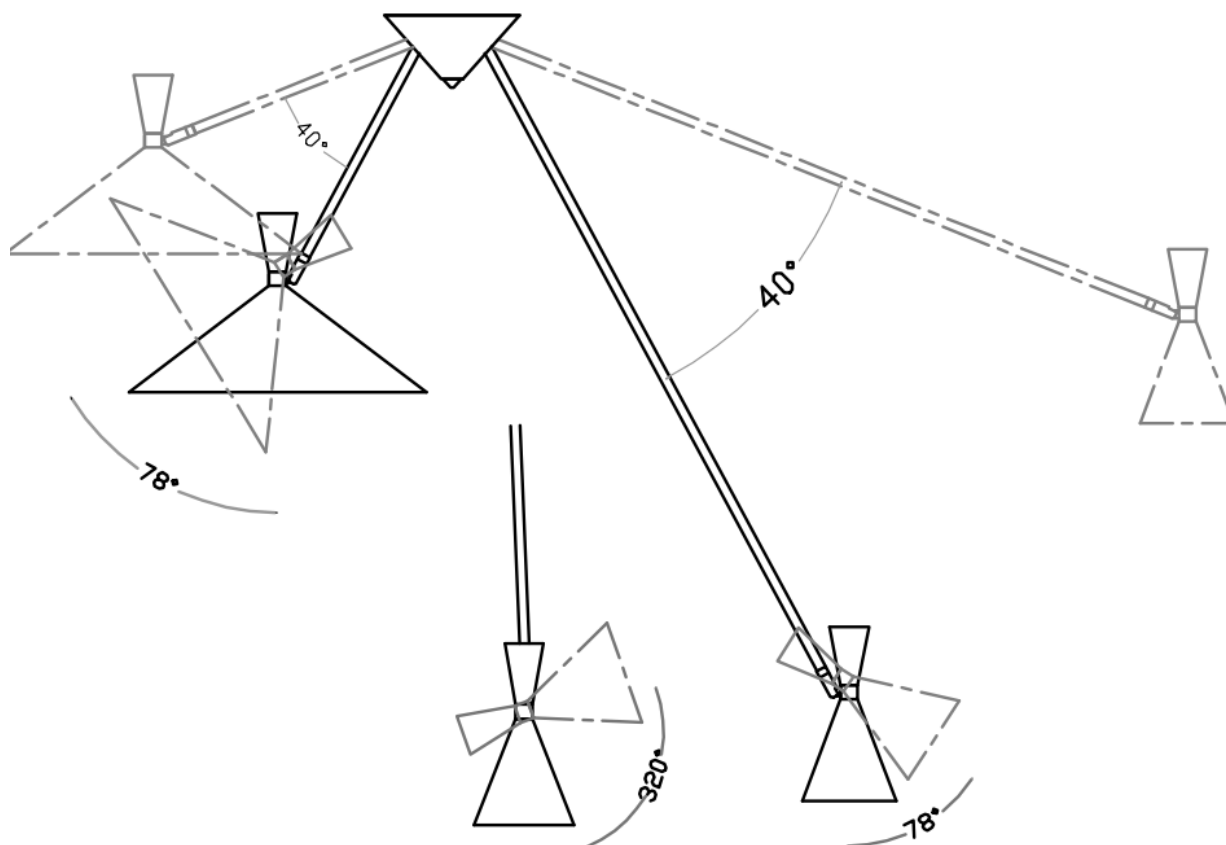
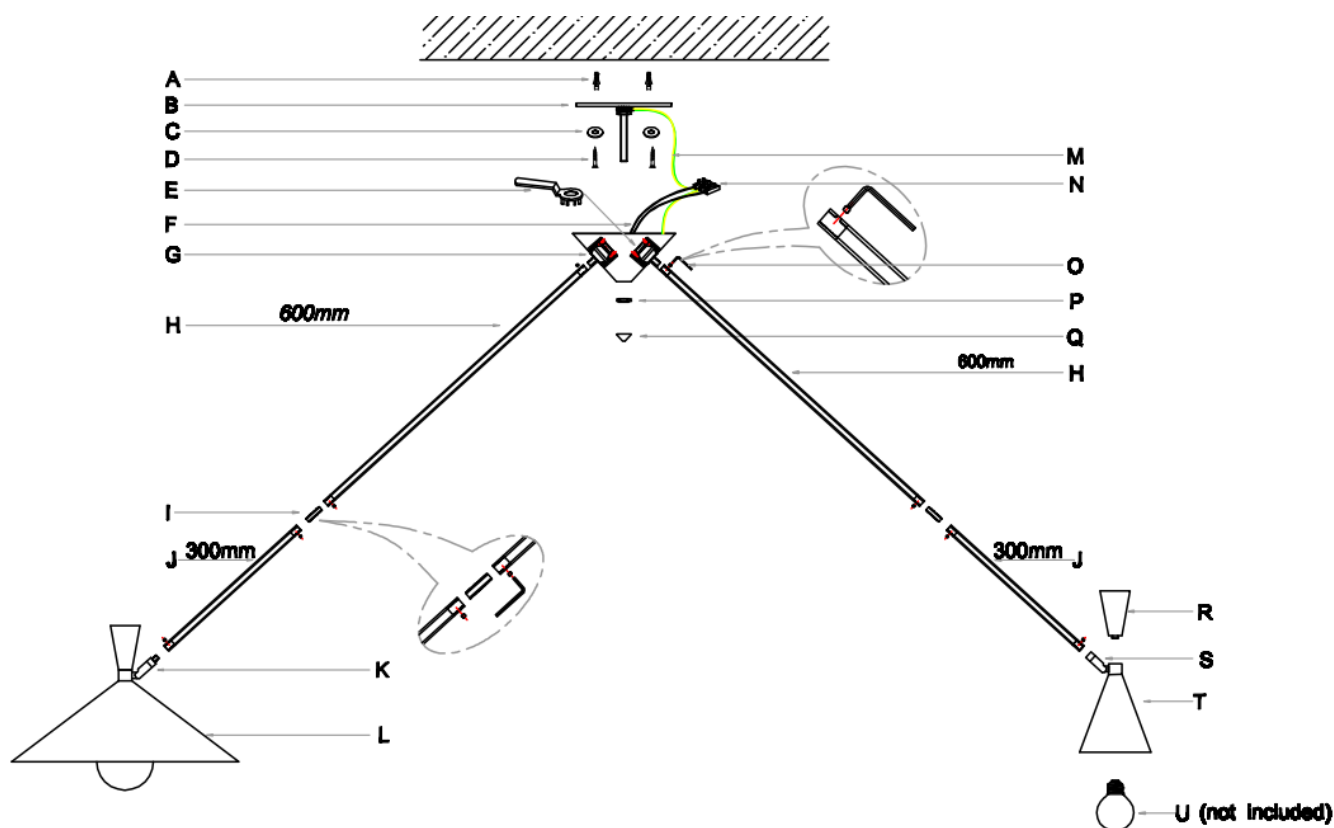
13. Adjust the rotation for shades (L) and (T) side to side to you desired angle.

**NOTE: Do not adjust the rotation of shades (K) and (S) more than 320°, as this may damage the joint or the internal wiring.**

14. Adjust the tilt angle for the shades (K) and (S) up and down to you desired angle.

**NOTE: Do not adjust the tilt angle for the shades (K) and (S) more than 78°, as this may damage the joint or the internal wiring.**

15. After the installation, switch on the luminaire to test all the lighting functions and enjoy your new lighting product.

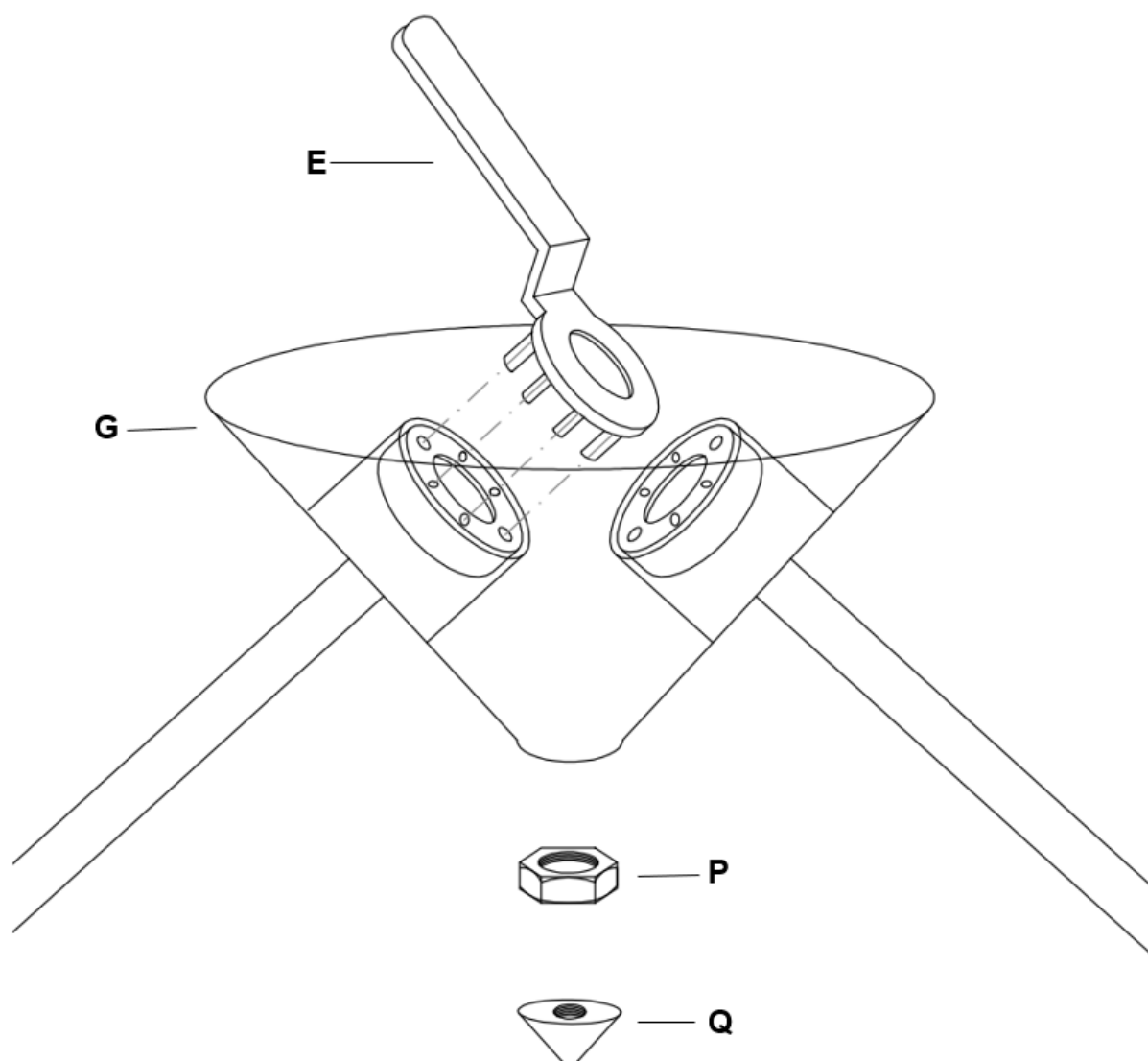


**NOTES FOR ARM AND SHADE ADJUSTMENT:** To avoid and damage to the joints or internal wiring, please do not adjust the arms or shades (K) and (S) beyond the angles listed:

- Maximum adjustment of the arms: no more than 40° in any direction.
- Maximum rotation angle of shades (K) and (S): no more than 320° side to side.
- Maximum tilt angle of shades (K) and (S): no more than 78° up and down.

## NOTE:

The Angle of the luminaire shade and arm often adjusts when using the luminaire. If there is looseness between the arm and canopy (G) of luminaire, you need to take down the canopy(G) of luminaire from the mounting bracket (B) and tighten the joints inside the canopy (G) with a special wrench (E, supply). after tight, Install the canopy (G) back onto the mounting bracket (B) and secure it by the screw nut (Q) & hex nut (P).



## Safety Tips

- Always ensure the power is OFF and the luminaire has cooled down before performing any maintenance, cleaning, changing the lamps or making any adjustment to the luminaire.
- To avoid injury or damage to the luminaire, ensure that power leads and screws are secure before connecting the power.
- Select a suitable location away from liquids and hazards.
- To clean, wipe with a soft damp cloth. Do NOT soak or immerse the luminaire in water or other liquids.
- Ensure that the luminaire does not come in contact with corrosive chemicals/solvents or abrasive cleaners etc.

Specifications			
SKU #	018382	018383	
Colour	BLACK / GREEN MARBLE / BRONZE FINISH	WHITE / WHITE MARBLE / BRASS FINISH	
Rated Voltage	220-240V~ 50Hz		
Rated Wattage	56W Max. (2x Max. 28W)		
Lamp Holder	ES / E27		
Weight	2.5kg		
Canopy Dimensions	H:90mm Dia:170mm		
Luminaire Dimensions	H:630mm L:2240mm W:380mm Max.		