

STRIX III 1.8 METRE LED PENDANT

SKU# 020587, 020588

New Edition – V3 (Shade Compatible)

Rated Voltage 220-240V~ 50Hz

To ensure correct function and safety, please read and follow all instructions carefully before assembly, installation and use of this luminaire. Please keep instructions for future reference.

Warranty

- This luminaire is covered by a 3-year warranty. The warranty is from date of purchase, not the date of installation.
- If the luminaire is not assembled and installed by a licensed electrician, the warranty will be void.
- Please retain the proof of purchase and evidence of installation by a licensed electrician for any warranty enquiries.
- Warranty will be void if there is any damage due to improper usage or modification to the luminaire.
- Failure to comply with instructions in this manual may increase the risk of damage or injury and will void the warranty.

Installation Requirements

- This luminaire must be assembled and installed by a licensed electrician.
- All wiring and installation of the luminaire must adhere to the latest local and national wiring rules. E.g. AS/NZS 3000 Electrical Installations.
- The luminaire is a Class I product and must be earthed during wiring and installation.
- Select a suitable location for installation:
 - This luminaire is suitable for indoor use only.
 - The mounting point must support 2 times the weight of the luminaire.
 - If installing a luminaire in an area prone to moisture, ensure that the area is well ventilated, and an appropriately rated exhaust fan is used if required. Damage or corrosion caused by moisture is not a product fault, and as such is not covered under warranty.
- This luminaire is dimmable, and the use of an LED dimmer is strongly recommended. Please see **Highly Recommended Dimmers** Section of the Specifications on Page 4 for a list of LED Dimmers that have been specifically designed & tested for use with this luminaire.
 - NOTE:** Dimming may cause buzzing sounds or a slight flicker. There may be slight delays with the LED luminaire start-up or uneven light performance when more than one LED luminaire is linked together, switched ON or dimmed. This is not a product fault and as such is not covered under warranty.
 - NOTE:** Some dimmers have a minimum load of 20W. Ensure the dimmer position is on the maximum setting before turning on the LED light and adjust the dimmer down to your desired light level.
 - NOTE:** Testing cannot account for installation variables such as variation in mains supply voltage, cable capacitance, electrical noise, transients, surges and ripple control signals (commonly found in NSW & QLD).
 - NOTE:** The information provided is correct to the best of Beacon Lighting's knowledge at the date of publication.
- Take care not to pull any electrical wires during unpacking as this may damage the connection.
- Lay out all the components on a smooth surface and make sure no components are missing before assembling. If parts are missing, return the complete product to the place of purchase for inspection or replacement.
- Check whether the luminaire has been damaged during transport. Do not operate/install any product which appears damaged in any way. Return the complete product to the place of purchase for inspection, repair or replacement.
- Ensure power to the circuit you are working on has been switched OFF before commencing any electrical work.

Installation Directions

WARNING: Ensure power to the circuit you are working on has been switched OFF before commencing any electrical work.

NOTE: Due to the size/weight/wiring of the luminaire, two people will be required to lift it up during the installation process

1. Remove all packaging material from the product and be careful not to throw away accessories that may be hidden within the packaging material. If assembly is required, place the luminaire on a smooth non-scratch surface.
2. Remove the mounting bracket (C) from the canopy (E) by loosening the screws (A) on the side.
3. Use the mounting bracket (C) as a template to mark the screw hole positions on the ceiling.
4. Install the mounting bracket (C) onto the ceiling by using appropriately sized mounting screws (D) and anchors (B). Ensure the screws (D) and anchors (B) used are suitable for the mounting surface and the surrounding environment.
5. Remove the hanger bracket (L) from the hanger (N) on the other side of the luminaire.
6. Install the hanger bracket onto the ceiling by using appropriately sized mounting screws (M) and anchors (K). Ensure the screws (M) and anchors (K) used are suitable for the mounting surface and the surrounding environment.
7. Determine the suspension length required for your luminaire at the installation location. To adjust the powered side of the luminaire suspension, follow the below steps:
 - If the cord suspension needs to be reduced – The excess cord can be pulled through the cord anchorage (F) and into the canopy until the desired length has been reached.
 - If the cord suspension needs to be extended – Press in and hold the middle cylinder of the cord anchorage (F) and pull the suspension cord back out of the canopy.
8. Adjust the unpowered side of the luminaire suspension by completing the above step through the cord anchorage on the hanger (N) and removing any excess suspension wire.
9. The colour temperature of this luminaire can be pre-set to a desired colour temperature. Use the toggle switch (J) in the luminaire canopy (E) to select your desired colour temperature (“WW” for 3000K *Warm White*, “CW” for 4000K *Cool White*, or “DL” for 5000K *Daylight*).

NOTE: The toggle switch (J) must only be operated when power to the luminaire has been switched off.

Changing the toggle switch settings while the luminaire is powered may cause damage to the LED driver.

10. Connect the mains supply wire to the terminal block (G). Connect the mains earth to the terminal block (I).


Mains Supply Wire

Earth – Yellow/Green

Neutral – Blue or Black

Live – Brown or Red

Luminaire Wire / Terminal Block

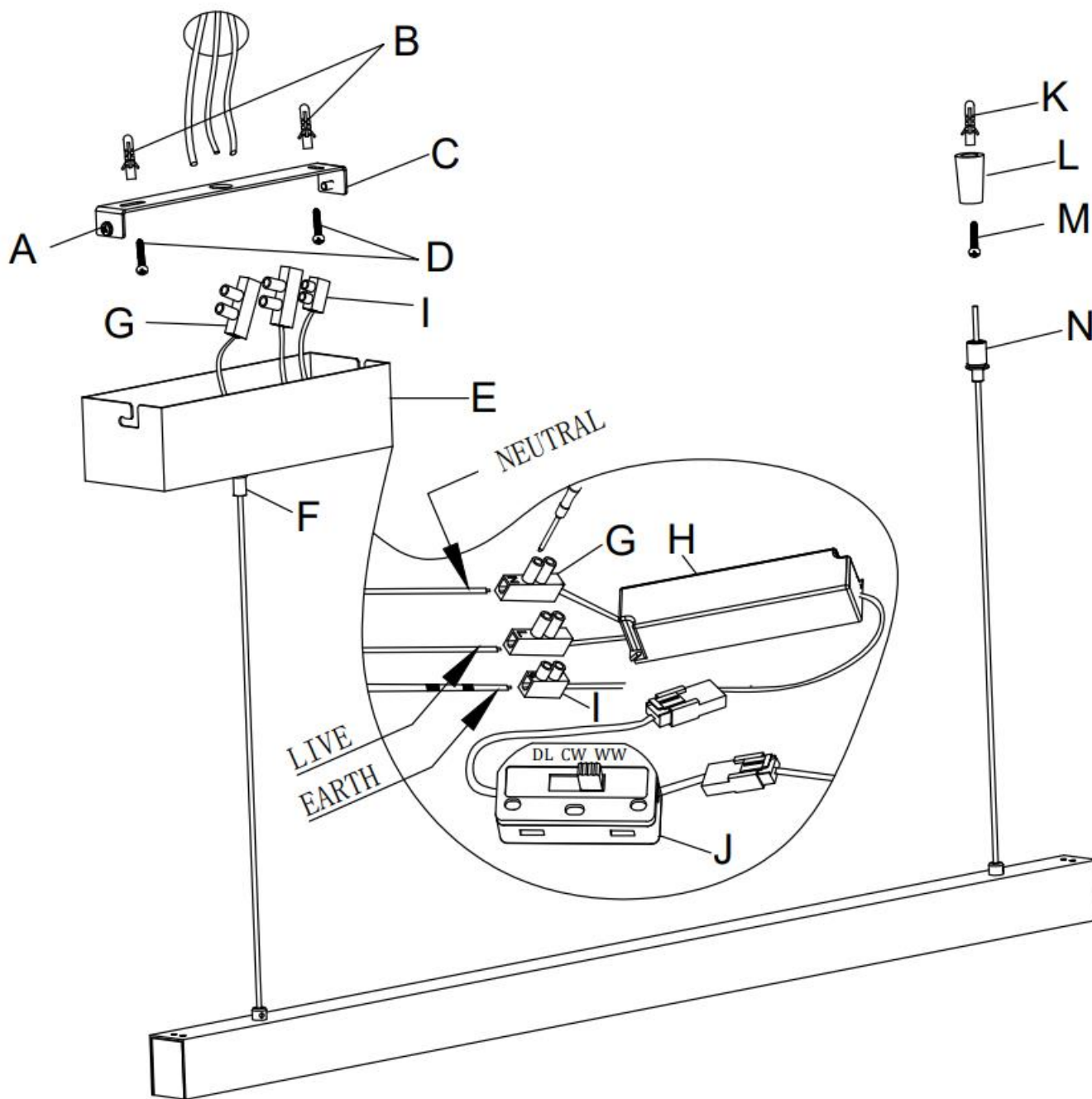
Yellow/Green or 

Blue or N

Brown or L

NOTE: The luminaire is a Class I product and must be earthed during wiring and installation.

11. Ensure the wires are secure and no bare wires are exposed.
12. Install the canopy (E) onto the mounting bracket (C) and secure by tightening the screws (A) on the sides.
13. Install the hanger (N) onto the hanger bracket (L).
14. Once installed onto the brackets, ensure the luminaire is sitting level by making any necessary length adjustments to the powered side of the luminaire suspension.
15. After the installation is complete, switch on the luminaire to test and enjoy your new lighting product.



Safety Tips

- Always ensure the power is OFF and the luminaire has cooled down before performing any maintenance, cleaning or making any adjustment to the luminaire.
- To avoid injury or damage to the luminaire, ensure that power leads and screws are secure before connecting power.
- Select a suitable location away from liquids and hazards.
- To clean, wipe with a soft damp cloth. Do NOT soak or immerse the luminaire in water or other liquids.
- Ensure that the luminaire does not come in contact with corrosive chemicals/solvents or abrasive cleaners etc.
- The LED light source within this luminaire is not replaceable; when the light source reaches its end of life, the whole luminaire shall be replaced. Do not attempt to dismantle or open the main body of this product.
- The LED Driver (H) in this luminaire is replaceable, and shall only be replaced by the manufacturer, their service agent or a similarly qualified person, such as a licenced electrician.

Specifications		
SKU #	020587	020588
Colour	Matte Black	Matte White
Rated Voltage	220-240V~ 50Hz	
Rated Wattage	42W	
LED Driver	CA-040-040A1D-1000 (SKU# P020006)	
LED Specifications	Colour shifting (3000K-4000K-5000K) LEDs*, Dimmable, CRI>90	
Rated Lumens	2700 lumens MAX.	
Highly Recommended Dimmers	All Lucci , MFL and Buster + Punch Dimmers	
Compatible Dimmers	Clipsal 31E2PUDM, 42E350RUD2M-VW, 32E450UDM. DIGINET LED Smart MEDM, HPM Cat. 400T. DETA:6032B series 2 Zimi Powermesh PMPUSWV1G	
Weight	1.9kg	
Canopy Dimensions	L:160mm W:60mm H:45mm	
Luminaire Dimensions	H:32mm L:1800mm W:25mm Susp:2000mm MAX	

***NOTE:** Use the toggle switch in the canopy of the luminaire to select the colour temperature (“WW” for 3000K *Warm White*, “CW” for 4000K *Cool White*, or “DL” for 5000K *Daylight*). Please note the toggle switch must only be operated when power to the luminaire has been switched off. Changing the toggle switch settings while the luminaire is powered may cause damage to the LED driver.