

STRIX III PENDANT (BRASS)

SKU# 020605, 020606, 020607

Rated Voltage 220-240V~ 50Hz

Thank you for purchasing this quality Lucci product. To ensure correct function and safety, please read and follow all instructions carefully before assembly, installation and use of this product. Please keep instructions for future reference.

Warranty

- This luminaire is covered by a 3-year warranty. The warranty is from date of purchase, not the date of installation.
- If the luminaire is not assembled and installed by a licensed electrician, the warranty will be void.
- Please retain the proof of purchase and evidence of installation by a licensed electrician for any warranty enquiries.
- The use of non-compatible dimmers may damage your LED luminaire and will void your warranty.
- Warranty will be void if there is any damage due to improper usage or modification to the luminaire.
- Failure to comply with the instructions in this manual may increase the risk of damage or injury and will void the warranty.

Installation Requirements

- This luminaire must be assembled and installed by a licensed electrician.
- All wiring and installation of the luminaire must adhere to the latest local and national wiring rules.
E.g. AS/NZS 3000 Electrical Installations Do not exceed the maximum wattage rating.
- The luminaire is a Class I product and must be earthed during wiring and installation.
- Select a suitable location for installation:
 - This luminaire is suitable for indoor use only.
 - The mounting point must support 2 times the weight of the luminaire.
 - Ensure the luminaire is not installed in direct line of an air vent/system.
 - If installing a luminaire in an area prone to moisture, ensure that the area is well ventilated, and an appropriately rated exhaust fan is used if required. Damage or corrosion caused by moisture is not a product fault, and as such is not covered under warranty.
- The colour shifting function will only operate with a mechanical or relay ON/OFF switch.
- The colour shifting function will not operate with a semi-conductor ON/OFF switch.
- This luminaire is dimmable and was tested with the dimmers listed in the specification section at the date of publication. The use of a LED dimmer such as the Lucci LEDlux SKU# 290998, or SKU# 290997, SKU# 290992 or SKU# 290993, 290994 or Buster + Punch DIM-002, dimmer is highly recommended.

NOTE: For the best dimming range, use the Lucci LEDlux SKU# 290998 dimmer and adjust the variable resistor at the minimum and maximum dimming positions on the dimmer during the installation.

NOTE: It is recommended to adjust the dimming range of the dimmer via the variable resistor until the colour temperature of the installed luminaires are consistent at the minimum dimming position.

NOTE: Dimming may cause buzzing sounds or a slight flicker. There may be slight delays with the LED luminaire start-up or uneven light performance when more than one LED luminaire is linked together, switched ON or dimmed. This is not a product fault and as such is not covered under warranty.

NOTE: Some dimmers have a minimum load of 20W. Ensure the dimmer position is on the maximum setting before turning on the LED light and adjust the dimmer down to your desired light level.

NOTE: Testing cannot account for installation variables such as variation in mains supply voltage, cable capacitance, electrical noise, transients, surges and ripple control signals (commonly found in NSW & QLD).

NOTE: The information provided is correct to the best of Beacon Lighting's knowledge at the date of publication.
- Take care not to pull any electrical wires during unpacking as this may damage the connection.
- Lay out all the components on a smooth surface and make sure no components are missing before assembling. If parts are missing, return the complete product to the place of purchase for inspection or replacement.
- Check whether the luminaire has been damaged during transport. Do not operate/install any product which appears damaged in any way. Return the complete product to the place of purchase for inspection, repair or replacement.

Installation Directions


- **Ensure power to the circuit you are working on has been switched OFF before commencing any electrical work.**
- **Due to the size of the luminaire, two people will be required to lift it during the installation process.**

1. Remove all packaging material from the product and be careful not to throw away accessories that may be hidden within the packaging material. If assembly is required, place the luminaire on a smooth non-scratch surface.
2. Remove the mounting bracket (D) from the canopy (G) by loosening the screws (A) on the side.
3. Use the mounting bracket (D) as a template to mark the screw positions on the ceiling.
4. Install the mounting bracket (D) onto the ceiling by using appropriately sized mounting screws (E) and anchors (C). Ensure the screws (E) and anchors (C) used are suitable for the mounting surface and the surrounding environment.
5. Remove the hanger bracket (J) from the hanger (L) on the other side of the luminaire.
6. Install the hanger bracket onto the ceiling by using appropriately sized mounting screws (K) and anchors (I). Ensure the screws (K) and anchors (I) used are suitable for the mounting surface and the surrounding environment.
7. Connect the mains supply wire to the terminal block (B). Connect the mains earth to the terminal block (F).

Mains Supply Wire

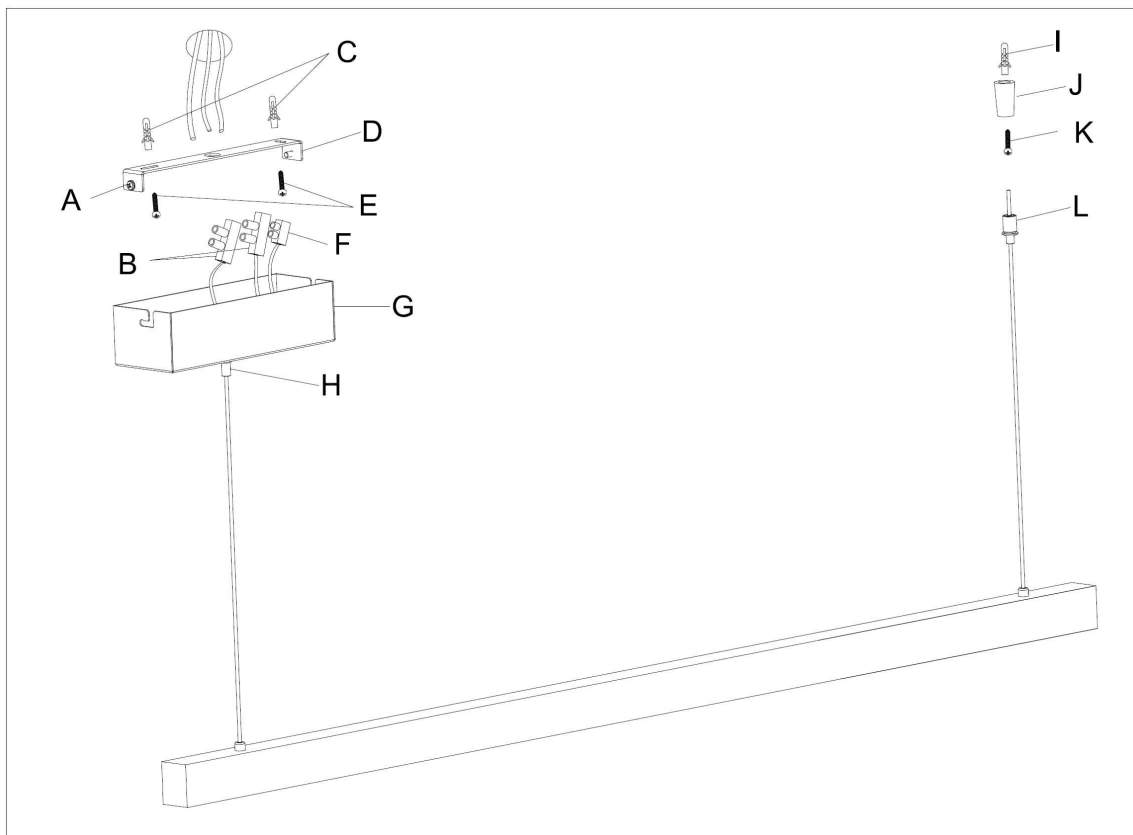
Earth – Yellow/Green
 Neutral – Blue or Black
 Live – Brown or Red

Luminaire Wire / Terminal Block

Yellow/Green or 
 Blue or N
 Brown or L

NOTE: The luminaire is a Class I product and must be earthed during wiring and installation.

8. Ensure the wires are secure and no bare wires are exposed.
9. Install the canopy (G) onto the mounting bracket (D) and secure by tightening the screws (A) on the sides.
10. Install the hanger (L) onto the hanger bracket (J).
11. The luminaire suspension length can be adjusted by loosening the cord anchorage (H).
12. After the installation is complete, switch on the luminaire to test and enjoy your new lighting product.
13. To operate the colour shifting function, use the wall switch.
 - While the luminaire is on, toggle the wall switch OFF and ON again within 3 seconds. The colour shifting sequence will jump from 3000K – 5000K – 4000K.
 - For the colour shifting to memorise the colour temperature, leave the wall switch OFF for over 7 seconds.
 - To reset the colour shifting, toggle the wall switch OFF and ON twice within 1 second. Repeat if it doesn't reset.



Troubleshooting		
PROBLEM	POSSIBLE CAUSE	SUGGESTED SOLUTION
Does not work. (New installation)	Loose wiring or no power to the luminaire.	Check your circuit breaker/safety switch box and turn on the power to your circuit.
		Contact the installing licensed electrician to check if the luminaire has been installed correctly.
Does not work. (Existing installation)	No power to the luminaire.	Check your circuit breaker/safety switch box and turn on the power to your circuit.
		Contact your nearest Beacon Lighting store.
Flickers when dimming. (New installation)	Non-recommended dimmer used.	Check the dimmer used. Ensure the dimmer used is on the list of recommended dimmers in this manual.
	Some dimmers have a variable loading adjustment function. e.g. Lucci LEDlux SKU# 290998 dimmer. This may not have been adjusted during the installation of the dimmer.	The variable resistor needs to be adjusted to suit the luminaire load to reduce the flickering.
Flickers when dimming. (Existing installation)	Dimmer position on low.	Ensure the dimmer position is on the maximum setting before turning on the luminaire and adjust the dimmer down to your desired light level.
Buzzing sound.	Non-recommended dimmer used.	Check the dimmer used. Ensure the dimmer used is on the list of recommended dimmers in this manual.
Uneven light on start-up	Dimmer position on low when switched on.	Ensure the dimmer position is on the maximum setting before turning on the luminaire and adjust the dimmer down to your desired light level.

Safety Tips

- Always ensure the power is OFF and the luminaire has cooled down before performing any maintenance, cleaning or making any adjustment to the luminaire.
- To avoid injury or damage to the luminaire, ensure that power leads and screws are secure before connecting the power.
- Select a suitable location away from liquids and hazards.
- To clean, wipe with a soft damp cloth. Do NOT soak or immerse the luminaire in water or other liquids.
- Ensure that the luminaire does not come in contact with corrosive chemicals/solvents or abrasive cleaners etc.
- The light source of this luminaire is not replaceable; when the light source reaches its end of life, the whole luminaire shall be replaced. There are no serviceable parts, do not attempt to dismantle or open the product.

Specifications

SKU #	020605	020606	020607
Colour	Brass		
Rated Voltage	220-240V~ 50Hz		
Rated Wattage	32W	45W	60W
LED Specs	Colour switching LEDs, Dimmable, CRI>90, 3000/5000/4000K		
Lumens	1800 lumens*	2250 lumens*	3375 lumens*
	*NOTE: The lumen value is based on the 4000K colour temperature. The lumen value may slightly vary based on different colour temperature.		
Highly Recommended Dimmers	Lucci LEDlux SKU# 290998, Lucci LEDlux SKU# 290997, 290992 Lucci LEDlux SKU# 290993, 290994 Buster + Punch DIM-002.		
Compatible Dimmers	Clipsal 31E2RUDM, 32E450TM, 32E450UDM, 31E2PUDM, 32ELEDM, DIGINET LED Smart MEDM, HPM Cat. 400T.		
Weight	2.2kg	3.1kg	3.7kg
Canopy Dimensions	L:160mm W:60mm H:45mm		L:183mm W:60mm H:45mm
Luminaire Dimensions	H:32mm L:1200mm W:29mm Susp:2000mm MAX	H:32mm L:1800mm W:29mm Susp:2000mm MAX	H:32mm L:2200mm W:29mm Susp:2000mm MAX