

PHAROS 3LT PENDANT

SKU# 020671

Rated Voltage 220-240V~ 50Hz

Thank you for purchasing this quality Lucci product. To ensure correct function and safety, please read and follow all instructions carefully before assembly, installation and use of this product. Please keep instructions for future reference.

Warranty

- This light fitting is covered by a 3 year warranty. The warranty is from date of purchase, not the date of installation.
- If the fitting is not installed by a licensed electrician the warranty will be void.
- Please retain proof of purchase and evidence of installation by a licensed electrician.
- Warranty will be void if there is any damage due to improper usage or modification to the fitting.
- Failure to comply with the instructions in this manual may increase the risk of damage or injury and will void warranty.
- This LED fitting is not suitable for use with dimmer switches. Warranty will be void if this LED fitting is used on the same circuit which has a dimmer switch.

Installation Requirements

- Must be installed by a licensed electrician.
- All wiring and installation of the light fitting must adhere to local and national wiring rules. eg. AS/NZS 3000:2007/Amendment 2:2012 Electrical installations.
- This fitting is a Class II product, this must be maintained during wiring and installation.
- Select a suitable location for installation:
 - This product is suitable for indoor use only.
 - The mounting point must support 2 times the weight of the fitting.
 - Ensure the fitting is not installed in direct line of an air vent/system.
 - When installing a fitting in an area prone to moisture, ensure that the area is well ventilated and an appropriately rated exhaust fan is used if required. Damage or corrosion caused by moisture is not a product fault, and as such is not covered under warranty.
- This LED fitting is not suitable for use with dimmer switches. Warranty will be void if this LED fitting is used on the same circuit which has a dimmer switch.
- Take care not to pull any electrical wires during unpacking as this may damage the connection.
- Lay out all the components on a smooth surface and make sure there are no components missing before assembling. If parts are missing, return the complete product to the place of purchase for inspection or replacement.
- Check whether the fitting has been damaged during transport. Do not operate/install any product which appears damaged in any way. Return the complete product to the place of purchase for inspection, repair or replacement.
- Ensure power to the circuit you are working on has been switched OFF before commencing any electrical work.

Installation Directions

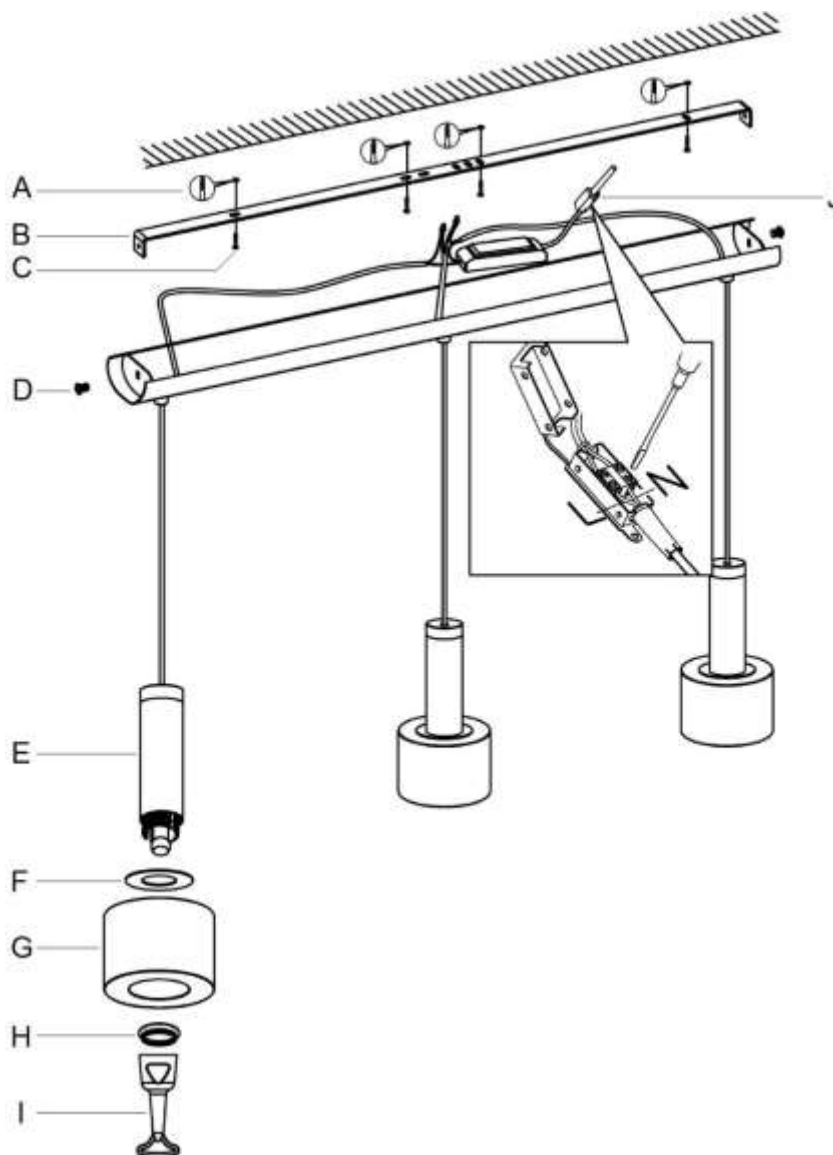
NOTE: Due to the length of the fitting, two people may be required to lift up the fitting during installation.

1. Remove all packaging material from the product and be careful not to throw away accessories that may be hidden within the packaging material.
2. Remove the mounting bracket (B) from the canopy by loosening the screws (D) on the side.
3. Use the mounting bracket (B) as a template to mark the screw positions on the ceiling.
4. Install the mounting bracket (B) onto the ceiling by using appropriately sized mounting screws (C) and anchors (A). Ensure the screws (C) and anchors (A) used are suitable for the mounting surface and the surrounding environment.
5. Remove the cover from the terminal block (J) and connect the mains supply wire to the terminal block (J).

Mains Supply Wire	Fitting Wire
Neutral – Blue or Black	Blue
Live – Brown or Red	Brown

6. Ensure the wires are secure and no bare wires are exposed. Install the cover back onto the terminal block (J).

7. Install the canopy (A) onto the mounting bracket (B) by tightening the screws (D) on the side.
8. Install the washer (F) onto the lamp body (E) followed by the shade (G) and secure with the ring (H) using the tool (I) provided.
9. After the installation, switch on the fitting to test and enjoy your new lighting product.



Safety Tips

- Always ensure the power is OFF and the fitting has cooled down before performing any maintenance, cleaning or making any adjustment to the fitting.
- To avoid injury or damage to the fitting, ensure that power leads and screws are secure before connecting the power.
- Select a suitable location away from liquids and hazards.
- Ensure that the fitting does not come in contact with corrosive chemicals, etc.
- To clean, wipe with a damp clean cloth. Never soak the fitting with water.

Specifications

SKU #	020671
Rated Voltage	220-240V~ 50Hz
Rated Wattage	12W Max.
LED specs	3000K, 990 lumens, non-dimmable
Weight	4.2kg
Dimensions	H:159mm L:710mm W:90mm Susp:2000mm

