

## AVENUE LED BAR PENDANT

SKU# 020935, 020936

Rated Voltage 220-240V~ 50Hz

To ensure correct function and safety, please read and follow all instructions carefully before assembly, installation and use of this luminaire. Please keep instructions for future reference.

### Warranty

- This luminaire is covered by a 3-year warranty. The warranty is from date of purchase, not the date of installation.
- If the luminaire is not installed by a licensed electrician it will void the warranty.
- Please retain proof of purchase and evidence of installation by a licensed electrician for any warranty enquiries.
- The use of non-compatible dimmers may damage the LEDs and will void the warranty.
- Warranty will be void if there is any damage due to improper usage or modification to the luminaire.
- Failure to comply with the instructions in this manual may increase the risk of damage or injury and will void the warranty.

### Installation Requirements

- This luminaire must be assembled and installed by a licensed electrician.
- All wiring and installation of the luminaire must adhere to latest local and national wiring rules.  
e.g. AS/NZS 3000 Electrical installations.
- This is a Class II luminaire and must be maintained during wiring and installation.

**NOTE:** Cables or wires of different voltage systems (e.g. Low Voltage and SELV), must be separated by double insulation.

**NOTE:** Ensure the mains supply wire connection to the terminal block is double insulated.

- Select a suitable location for installation:
  - This luminaire is suitable for indoor use only.
  - The mounting point must support 2 times the weight of the luminaire.
  - If installing a luminaire in an area prone to moisture, ensure that the area is well ventilated and an appropriately rated exhaust fan is used if required. Damage or corrosion caused by moisture is not a product fault, and as such is not covered under warranty.

**NOTE:** The colour temperature selection **MUST** be made during the installation as the colour temperature switch can only be accessed by a licensed electrician, which is located inside the luminaire canopy.

**NOTE:** Dimming may cause buzzing sounds or a slight flicker. There may be slight delays with the LED luminaire start-up or uneven light performance when more than one LED luminaire is linked together, switched ON or dimmed; this is not a product fault and as such is not covered under warranty.

**NOTE:** Some dimmers have a minimum load of 20W. Ensure the dimmer position is on the maximum setting before turning on the LED light and adjust the dimmer down to your desired light level.

**NOTE:** Testing cannot account for installation variables such as variation in mains supply voltage, cable capacitance, electrical noise, transients, surges and ripple control signals (commonly found in NSW & QLD).

**NOTE:** The information provided is correct to the best of Beacon Lighting's knowledge at the date of publication.

- Take care not to pull any electrical wires during unpacking as this may damage the connection.
- Lay out all the components on a smooth surface and make sure no components are missing before assembling.  
If parts are missing, return the complete product to the place of purchase for inspection or replacement.
- Check whether the luminaire has been damaged during transport. Do not operate/install any product which appears damaged in any way. Return the complete product to the place of purchase for inspection, repair or replacement.

## Installation Directions

**WARNING: Ensure power to the circuit you are working on has been switched OFF before commencing any electrical work.**

**NOTE: Due to the size/weight/wiring of the luminaire, two people will be required to lift the luminaire during the installation process.**

1. Remove all packaging material from the product and be careful not to throw away accessories that may be hidden within the packaging material. If assembly is required, place the luminaire on a smooth non-scratch surface.
2. Remove the mounting bracket from the canopy by loosening the screws on the side. (Fig. A)
3. Use the mounting bracket as a template to mark the screw positions onto the ceiling. (Fig. B)
4. Drill the holes on the marked screw positions. (Fig. C)
5. Install the mounting bracket onto the ceiling by using appropriately sized mounting screws and anchors. Ensure the mounting screws and anchors used are suitable for the mounting surface and the surrounding environment. (Fig. D)
6. Determine the suspension length required for your installation location. If the length of the suspension cord requires adjustment, excess cord can be pulled through the cord anchorages and into the canopy until the desired length has been reached.
7. If the suspension cord needs to be extended (maximum length 2000mm), press in and hold the middle cylinder of the cord anchorage and pull the suspension cord back out of the canopy.
8. Remove the cover from the terminal box and connect the mains supply wire to the terminal block. (Fig. E)

**Mains Supply Wire**

Neutral – Blue or Black

Live – Brown or Red

**Luminaire Wire**

Blue (N)

Brown (L)

Ensure that the wires are secure and no bare wires are exposed. Install the cover back onto the terminal box.

**NOTE: This is a Class II luminaire and must be maintained during wiring and installation.**

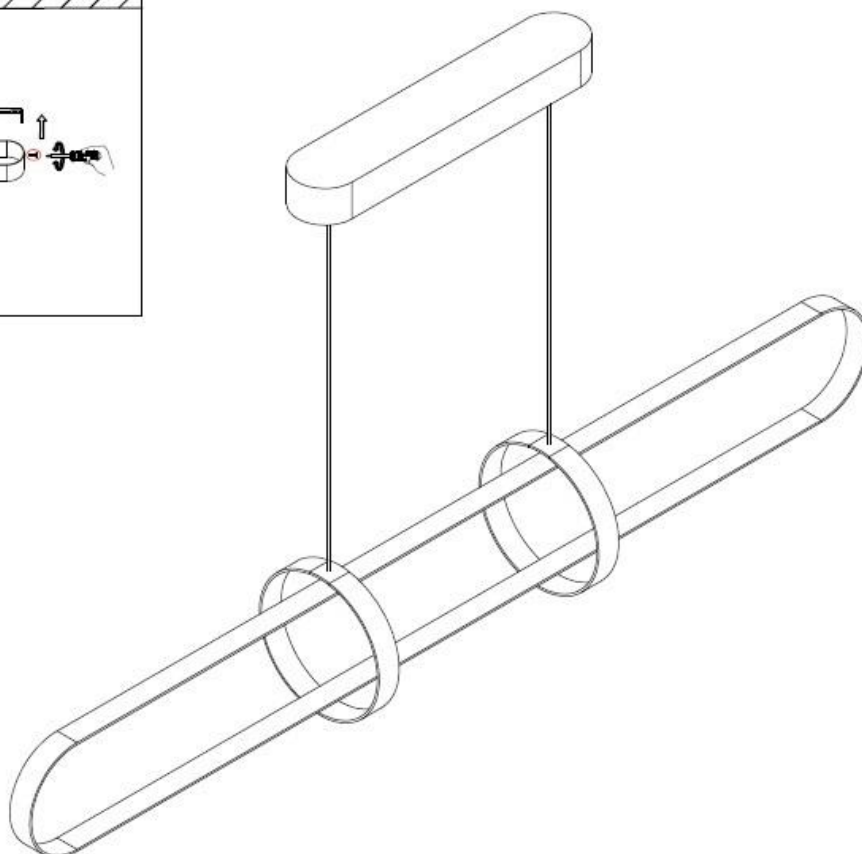
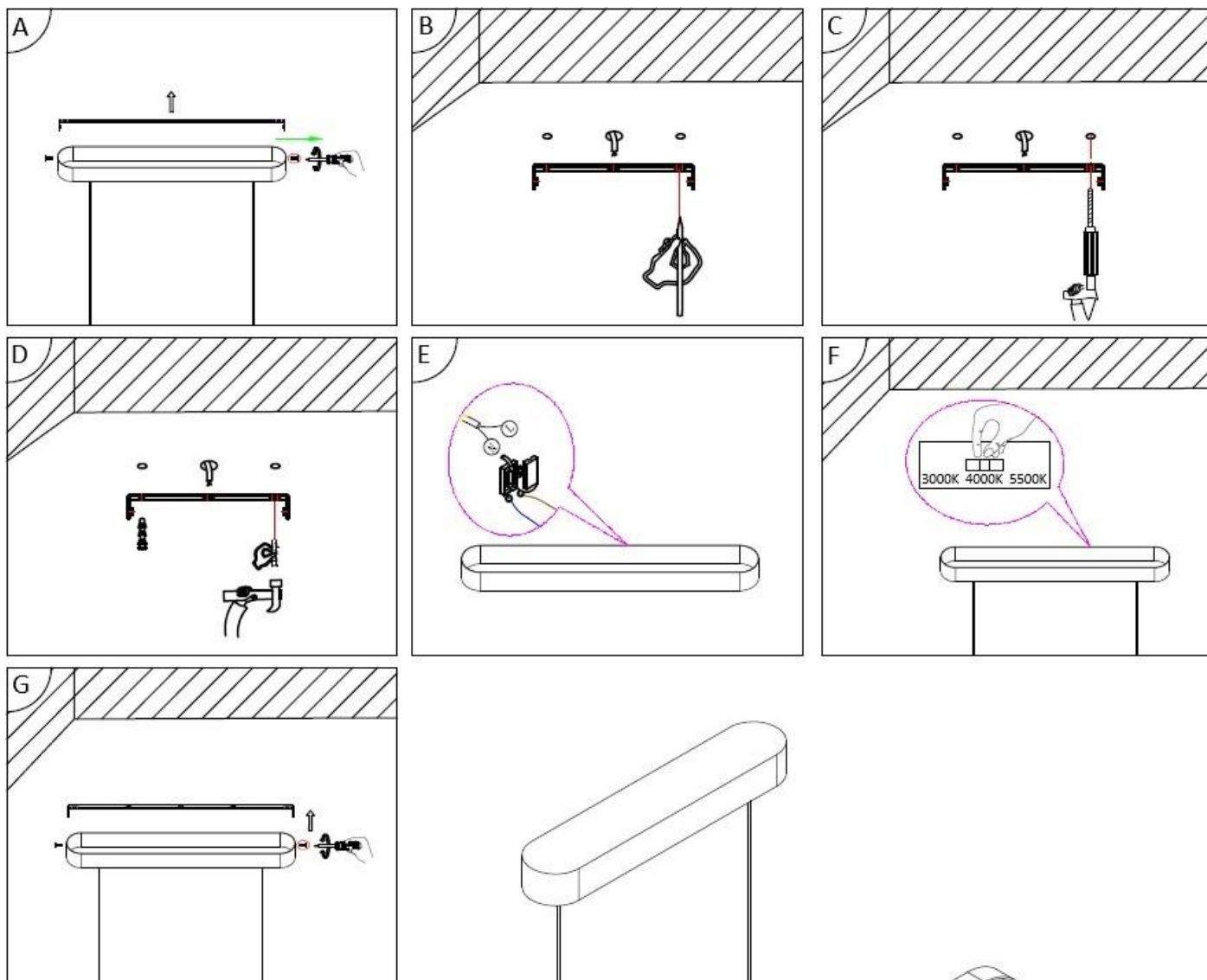
**NOTE: Cables or wires of different voltage systems (e.g. Low Voltage and SELV), must be separated by double insulation.**

**NOTE: Ensure the mains supply wire connection to the terminal block is double insulated.**

9. Select the colour temperature by flicking the switch inside the canopy. (Fig. F)

**NOTE: The colour temperature selection MUST be made during the installation as the colour temperature switch can only be accessed by a licensed electrician, which is located inside the luminaire canopy.**

10. Install the canopy onto the mounting bracket and secure by tightening the screws on the side. (Fig. G)
11. After the installation, switch on the luminaire to test all the lighting functions and enjoy your new luminaire.



## Safety Tips

- Always ensure the power is OFF and the luminaire has cooled down before performing any maintenance, cleaning or making any adjustment to the luminaire.
- To avoid injury or damage to the luminaire, ensure that power leads and screws are secure before connecting the power.
- Select a suitable location away from liquids and hazards.
- To clean, wipe with a soft damp cloth. Do NOT soak or immerse the luminaire in water or other liquids.
- Ensure that the luminaire does not come in contact with corrosive chemicals/solvents or abrasive cleaners etc.
- The light source of this luminaire is not replaceable; when the light source reaches its end of life the whole luminaire shall be replaced. There are no serviceable parts, do not attempt to dismantle or open the product.

## Specifications

SKU #	020935	020936
Colour	Brass Finish	Black
Rated Voltage	220-240V~ 50Hz	
Rated Wattage	46W	
LED Specs	Dimmable, Colour switching LEDs*, CRI>90	
Rated Lumens	3000K – 2600 lumens 4000K – 3000 lumens 5500K – 3200 lumens	
Weight	1.7kg	
Dimensions	L:1500mm W:127mm H:137mm Susp:2000mm	

\* The colour temperature selection MUST be made during the installation as the colour temperature switch can only be accessed by a licensed electrician, which is located inside the luminaire canopy.