

ALPINE 1.8M DIMMABLE LED PENDANT

SKU# 027080, 027081, 027082, 027083

Rated Voltage 220-240V~ 50Hz

To ensure correct function and safety, please read and follow all instructions carefully before assembly, installation and use of this luminaire. Please keep instructions for future reference.

Warranty

- This luminaire is covered by a 3-year warranty. The warranty is from date of purchase, not the date of installation.
- If the luminaire is not assembled and installed by a licensed electrician, the warranty will be void.
- Please retain the proof of purchase and evidence of installation by a licensed electrician for any warranty enquiries.
- The use of non-compatible dimmers may damage your LED luminaire and will void your warranty.
- Warranty will be void if there is any damage due to improper usage or modification to the luminaire.
- Failure to comply with the instructions in this manual may increase the risk of damage or injury and will void the warranty.

Installation Requirements

- This luminaire must be assembled and installed by a licensed electrician.
- All wiring and installation of the luminaire must adhere to the latest local and national wiring rules. e.g. AS/NZS 3000 Electrical Installations.
- The luminaire is a Class II product and must be maintained during wiring and installation.
NOTE: The LED driver has a functional earth connection, this is not a protective earth connection.
- Select a suitable location for installation:
 - This luminaire is suitable for indoor use only.
 - The mounting point must support 2 times the weight of the luminaire.
 - Ensure the luminaire is not installed in direct line of an air vent/system.
 - If installing a luminaire in an area prone to moisture, ensure that the area is well ventilated, and an appropriately rated exhaust fan is used if required. Damage or corrosion caused by moisture is not a product fault, and as such is not covered under warranty.
- The use of a LED dimmer is strongly recommended. Please see **Highly Recommended Dimmers** Section of the Specifications on Page 4 for a list of SKUs that have been specifically designed & tested for use with this luminaire.
NOTE: Dimming may cause buzzing sounds or a slight flicker. There may be slight delays with the LED luminaire start-up or uneven light performance when more than one LED luminaire is linked together, switched ON or dimmed. This is not a product fault and as such is not covered under warranty.
NOTE: Some dimmers have a minimum load of 20W. Ensure the dimmer position is on the maximum setting before turning on the LED light and adjust the dimmer down to your desired light level.
NOTE: Testing cannot account for installation variables such as variation in mains supply voltage, cable capacitance, electrical noise, transients, surges and ripple control signals (commonly found in NSW & QLD).
NOTE: The information provided is correct to the best of Beacon Lighting's knowledge at the date of publication.
- Take care not to pull any electrical wires during unpacking as this may damage the connection.
- Lay out all the components on a smooth surface and make sure no components are missing before assembling. If parts are missing, return the complete product to the place of purchase for inspection or replacement.
- Check whether the luminaire has been damaged during transport. Do not operate/install any product which appears damaged in any way. Return the complete product to the place of purchase for inspection, repair or replacement.

Installation Directions

WARNING: Ensure power to the circuit you are working on has been switched OFF before commencing any electrical work.

NOTE: Due to the size/weight/wiring of the luminaire, two people will be required to lift it up during the installation process.

1. Remove all packaging material from the product and be careful not to throw away accessories that may be hidden within the packaging material. If assembly is required, place the luminaire on a smooth non-scratch surface.
2. Use the included cut-out template to mark the mounting hole positions (A&B) on the ceiling, and cut out using the appropriate tools.

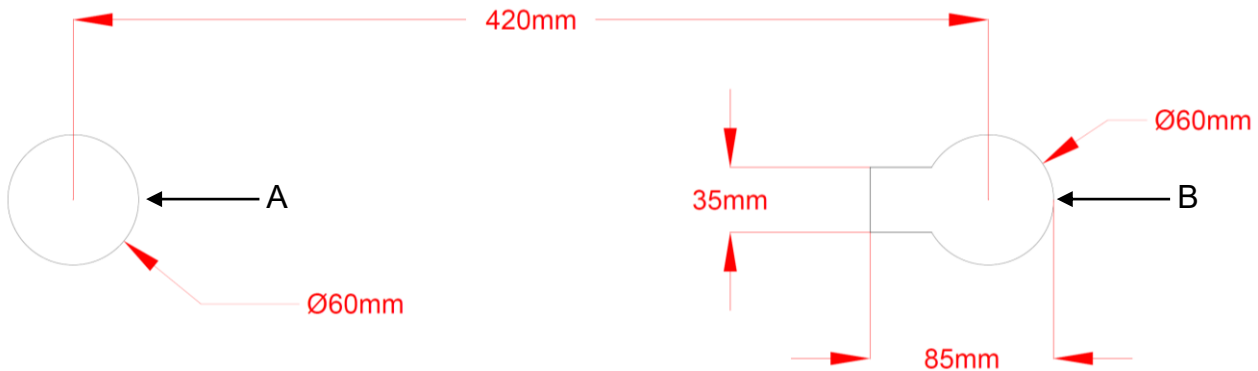


Figure 1. Cut Out Measurements (Template provided)

3. Ensure mains supply wire is fed through the key-hole shaped cut out (B).
4. Loosen the screw on the terminal cover on the primary/input of the LED driver (C) shown below.

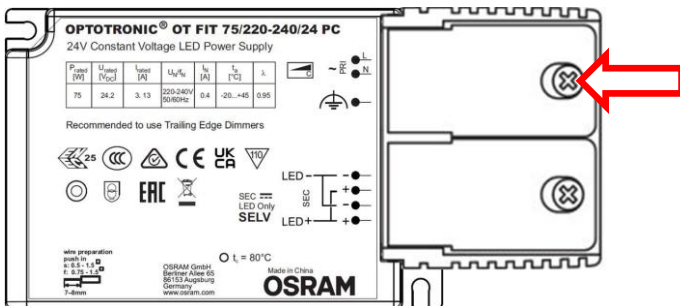


Figure 2. Primary Driver Terminal Cover

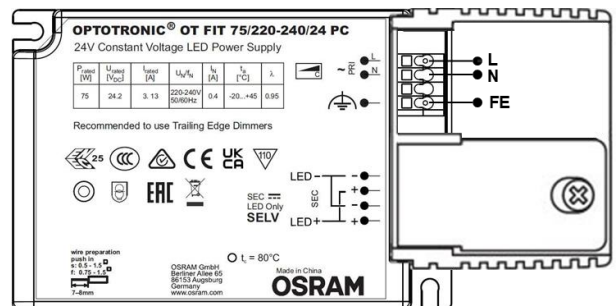


Figure 3. Connection Diagram

5. Connect the mains supply wire to the primary/input LED driver terminals.

Mains Supply Wire	LED Driver
Live – Brown or Red	L
Neutral – Blue or Black	N

NOTE: The luminaire is a Class II product and must be maintained during wiring and installation.

NOTE: The LED driver has a functional earth connection, this is not a protective earth connection.

6. Ensure the wires are secure and no bare wires are exposed.
7. The terminal cover must be installed back onto the LED driver, as the terminal cover is also a cord anchorage. Ensure the mains supply wire is secure and clamped down via the LED driver terminal cover.
8. Insert the LED driver (C) through the keyhole shaped hole (B) into the ceiling.
9. On the canopy (E), push the springs (D) up and through the ceiling cut outs (A&B) to install the canopy into the ceiling.
10. The luminaire suspension length (G) can be adjusted by pushing excess wire into the canopy through the cord anchorages (F).
11. After the installation is complete, switch on the luminaire to test and enjoy your new lighting product.

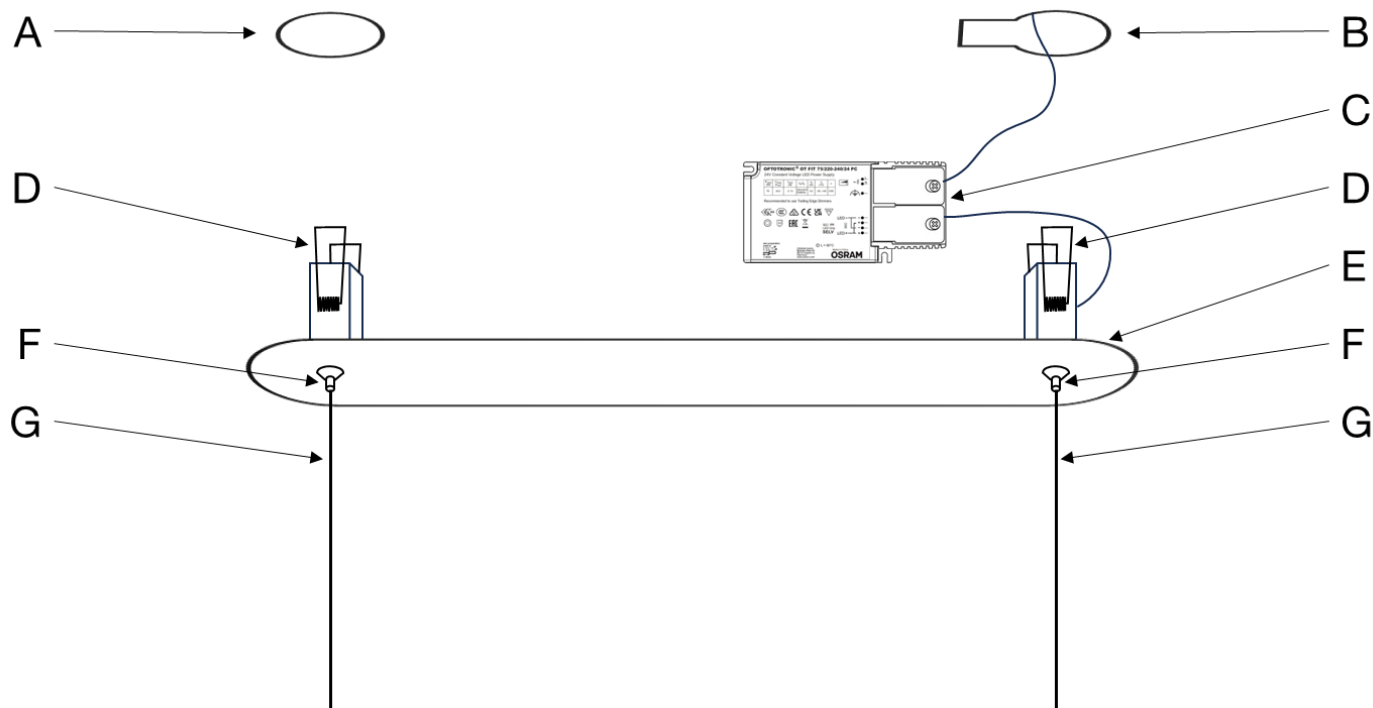


Figure 4. Canopy Installation Diagram

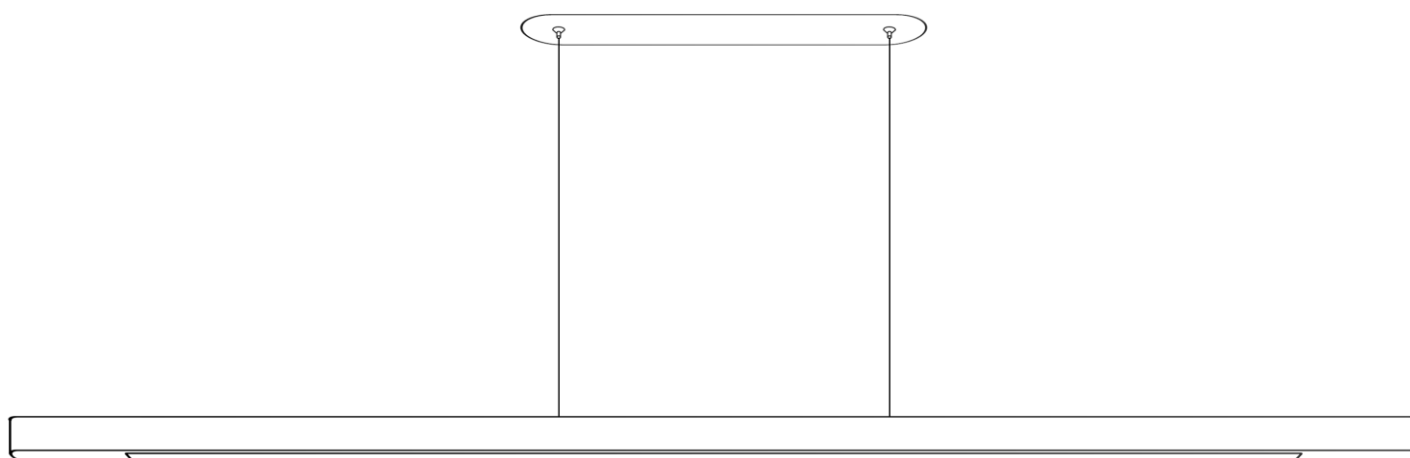


Figure 5. Installed pendant

Safety Tips

- Always ensure the power is OFF and the luminaire has cooled down before performing any maintenance, cleaning or making any adjustment to the luminaire.
- To avoid injury or damage to the luminaire, ensure that power leads and screws are secure before connecting the power.
- Select a suitable location away from liquids and hazards.
- To clean, wipe with a soft damp cloth. Do NOT soak or immerse the luminaire in water or other liquids.
- Ensure that the luminaire does not come in contact with corrosive chemicals/solvents or abrasive cleaners etc.
- The light source of this luminaire is not replaceable; when the light source reaches its end of life, the whole luminaire shall be replaced. There are no serviceable parts, do not attempt to dismantle or open the product.

Specifications				
SKU #	027080	027081	027082	027083
Colour	Natural	Walnut	Black	Oak
Rated Voltage	220-240V~ 50Hz			
Rated Wattage	47W			
Protection Class	Class II*			
LED Specs	1200 lumens, Dimmable, CRI≥80			
Highly Recommended Dimmers	Lucci Power SKU# 290989, 290992, 290993, 290994. MFL Artisan SKU# 197015, 197016, 197017, 197018. Lucci Connect SKU# 299043. Buster + Punch DIM-002.			
Compatible Dimmers	Clipsal 31E2PUDM, 31E2RUDM, Clipsal 32E450UDM, 32E450LM, 32ELEDM. Clipsal 41E300PBUD2M-VW, 42E350RLD2MVW. DIGINET LED Smart MEDM, HPM Cat. 400T.			
Weight	2.3kg			
Canopy Dimensions	H:1.6mm L:510mm W:90mm			
Luminaire Dimensions	H:42mm W:32mm L:1800mm Suspension:2000mm Max.			

*** NOTE: The LED driver has a functional earth connection, this is not a protective earth connection.**