

## ORBIT LED PENDANT

SKU# 028120, 028121

Rated Voltage 220-240V~ 50Hz

Thank you for purchasing this quality Lucci product. To ensure correct function and safety, please read and follow all instructions carefully before assembly, installation and use of this luminaire. Please keep instructions for future reference.

### Warranty

- This luminaire is covered by a 3-year warranty. The warranty is from the date of purchase, not the date of installation.
- If the luminaire is not installed by a licensed electrician, it will void the warranty.
- Please retain the proof of purchase and evidence of installation by a licensed electrician for any warranty enquiries.
- The use of non-compatible dimmers may damage your LED light fitting and will void the warranty.
- Warranty will be void if there is any damage due to improper usage or modification to the luminaire.
- Failure to comply with the instructions in this manual may increase the risk of damage or injury and will void the warranty.

### Installation requirements

- Must be assembled and installed by a licensed electrician.
- This luminaire is a Class I product and must be earthed during wiring and installation.
- All wiring and installation of the light fitting must adhere to local and national wiring rules.  
E.g. AS/NZS 3000 Electrical installations.
- Select a suitable location for installation:
  - This product is suitable for indoor use only.
  - The mounting point must support 2 times the weight of the luminaire.
  - Ensure the luminaire is not installed next to any air vent system.
  - When installing a luminaire in an area prone to moisture, ensure that the area is well ventilated, and an appropriately rated exhaust fan is used if required. Damage or corrosion caused by moisture is not a product fault, and therefore not covered under warranty.
- This luminaire is dimmable and has been tested at the date of publication with the dimmers listed in the specification section. The use of a LED dimmer such as the Lucci LEDlux SKU# 290998 or SKU# 290997 or SKU# 290443 dimmer is highly recommended.

**NOTE:** For the best dimming range, use the Lucci LEDlux SKU# 290998 dimmer and adjust the variable resistor at the minimum and maximum dimming positions on the dimmer during the installation.

**NOTE:** Dimming may cause buzzing sounds or a slight flicker. There may be slight delays with the LED light start-up or slight uneven light performance when more than one LED luminaire is linked together, switched ON or dimmed. This is not a product fault and therefore not covered under warranty.

**NOTE:** Some dimmers have a minimum load of 20W. Ensure the dimmer position is on the maximum setting before turning on the LED light and adjust the dimmer down to your desired light level.

**NOTE:** Testing cannot account for installation variables such as variation in mains supply voltage, cable capacitance, electrical noise, transients, surges and ripple control signals (commonly found in NSW & QLD).

**NOTE:** The information provided is correct to the best of Beacon Lighting's knowledge at the date of publication.

- Take care not to pull any electrical wires during unpacking as this may damage the connection.
- Lay out all the components on a smooth surface and make sure there are no components are missing before assembling. If parts are missing, return the complete product to the place of purchase for inspection or replacement.
- Check whether the luminaire has been damaged during transport. Do not operate/install any product which appears damaged in any way. Return the complete product to the place of purchase for inspection, repair or replacement.

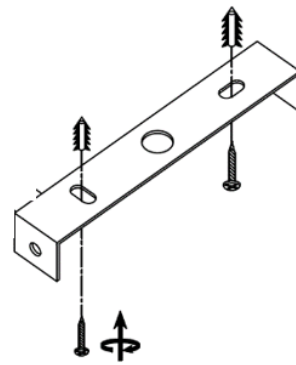
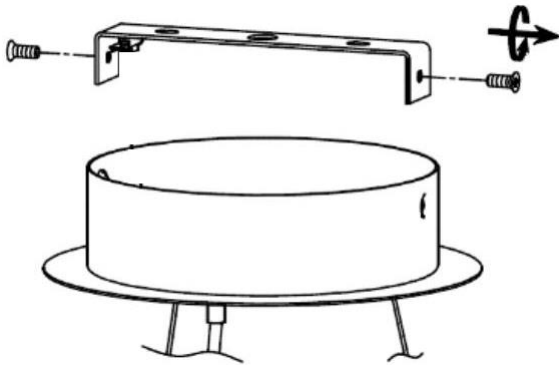
Ensure power to the circuit you are working on has been switched OFF before commencing any electrical work.

## Installation directions

**Due to the size of the luminaire, two people will be required to lift it during the installation process.**

Remove all packaging material from the product and be careful not to throw away accessories that may be hidden within the packaging material.

1. Remove the mounting bracket from the canopy by loosening the screws.  
Use the mounting bracket as a template to mark the screw positions on the wall.
2. Install the mounting bracket onto the wall by using appropriately sized mounting screws and anchors. Ensure the screws and anchors used are suitable for the mounting surface.




3. Connect the mains supply wire to the terminal block.

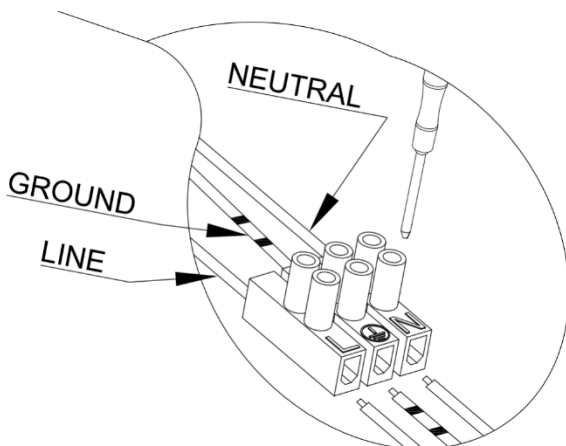
### Mains Supply Wire

Earth – Yellow/Green  
Neutral – Blue  
Live – Brown

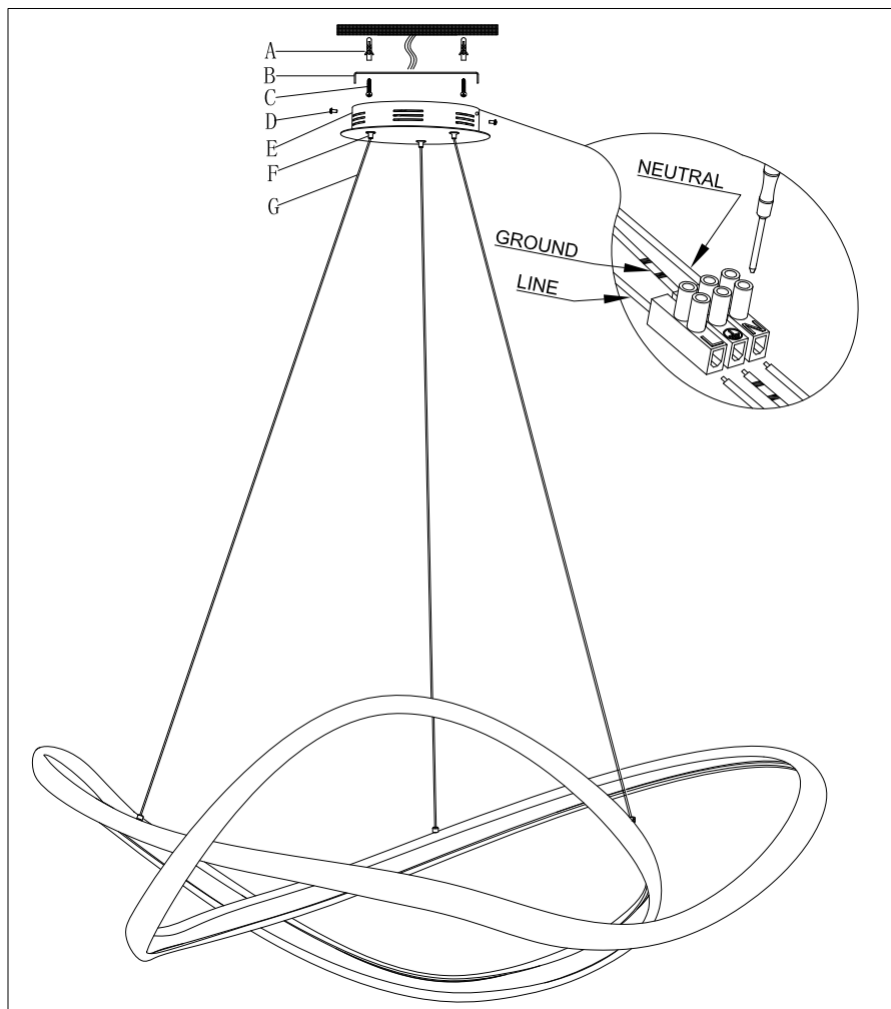
### Luminaire Wire / Terminal block

Yellow/Green or   
Blue or N  
Brown or L

Ensure the wires are secure and no bare wires are exposed.



4. Determine the suspension length required for your installation location.  
Press the cord anchorage and then adjust the length of the cords.  
Ensure the rest of the suspension wires are tighten & well placed inside the canopy.
5. Attach the canopy onto the mounting bracket and secure it by tightening the screws.
6. After the installation, switch on the luminaire to test and enjoy your new lighting product.



**This product has a colour switching function (2700K / 4000K / 5500K):**

**NOTE: If the luminaire is installed with dimmer, it is recommended to turn the dimmer to the highest position before adjusting the colour temperature as below.**

- Turn on the luminaire for the first time; the luminaire will switch to colour temperature 2700K.
- Turn off the luminaire, then turn it on again within 3 seconds; the luminaire will switch to colour temperature 5500K.
- Turn off the luminaire, then turn it on again within 3 seconds; the luminaire will switch to colour temperature 4000K.
- If the luminaire is turned off for more than 7 seconds, it will keep the same colour temperature as it was last on.
- The colour temperature will reset to 2700K if the switch is turn on/off quickly twice within 1 second.

## Safety tips

- Always ensure the power is **switched OFF** and the luminaire has cooled down before performing any maintenance, cleaning, changing the globe or making any adjustment to the luminaire.
- To avoid injury or damage to the luminaire, ensure that power leads and screws are secure before connecting the power.
- Select a suitable location away from liquids and hazards.
- Ensure that the luminaire does not come in contact with corrosive chemicals/solvents or abrasive cleaners etc.
- To clean, wipe with a damp clean cloth. Do NOT soak or immerse the luminaire in water or other liquids.
- The light source contained in this luminaire shall only be replaced by the manufacturer or his service agent or a similar qualified person.

Troubleshooting		
PROBLEM	POSSIBLE CAUSE	SUGGESTED SOLUTION
Does not work. (New installation)	Wiring loose or no power to the LED luminaire.	Check your circuit breaker/safety switch box and turn on the power to your circuit.
		Contact the installing licensed electrician to check if the luminaire has been installed correctly.
Does not work. (Existing installation)	No power to the LED luminaire.	Check your circuit breaker/safety switch box and turn on the power to your circuit.
		Contact your nearest Beacon Lighting store.
Flickers when dimming. (New installation)	Non-compatible dimmer used.	Check the dimmer used. Ensure the dimmer used is on the list of compatible dimmers in this manual.
	Some dimmers have a variable loading adjustment function. eg. Lucci LEDlux SKU# 290998 dimmer. This may not have been adjusted during the installation of the dimmer.	The variable resistor needs to be adjusted to suit the LED luminaire load to reduce the flickering.
Flickers when dimming. (Existing installation)	Dimmer position on low.	Ensure the dimmer position is on the maximum setting before turning on the LED luminaire and adjust the dimmer down to your desired light level.
Buzzing sound.	Non-compatible dimmer used.	Check the dimmer used. Ensure the dimmer used is on the list of compatible dimmers in this manual.
Uneven light start-up.	Dimmer position on low when switched on.	Ensure the dimmer position is on the maximum setting before turning on the LED luminaire and adjust the dimmer down to your desired light level.

## Specifications

SKU #	028120	028121
Colour	Black	White
Insulation Class	Class I	
Rated Voltage	220-240V~ 50Hz	
Rated Wattage	40W	
LED Specs	2700K - 5500K - 4000K, 2400lm*, CRI > 90	
	*The above lumen values are based on the 2700K colour temperature	
Dimmer Information	Highly Recommended Dimmers for all sku#	Lucci LEDlux SKU# 290998, SKU# 290997, SKU# 290443
	Compatible Dimmers for all sku#	B&P DIM-002; DIGINET LED Smart MEDM; Clipsal 31E2RUDM, 32E450TM, 32E450UDM, 31E2PUDM and 32ELEDM; HPM Cat.400T;
Weight	1.7kg	
Canopy Size	H:34mm Dia:170mm	
Dimensions	L:1000mm H: 140mm Dia:900mm Suspension: 2000mm	