

STRIX III PLATE SHADE

SKU# 028173, 028174, 028175

NOTE: This instruction manual is the installation directions for the shade only.

The luminaire is sold separately, refer to the instruction manual included with the luminaire for installation directions.

Thank you for purchasing this quality Lucci product. To ensure correct function and safety, please read and follow all instructions carefully before assembly, installation and use. Please keep instructions for future reference.

Warranty

- This product is covered by a 12-months warranty valid for in-store replacement or refund only.
- The warranty period starts from the date of purchase. Please retain the proof of purchase.
- Warranty will be void if there is any damage due to improper usage or modification to the product.
- Failure to comply with the instructions in this manual may increase the risk of damage or injury and will void the warranty.

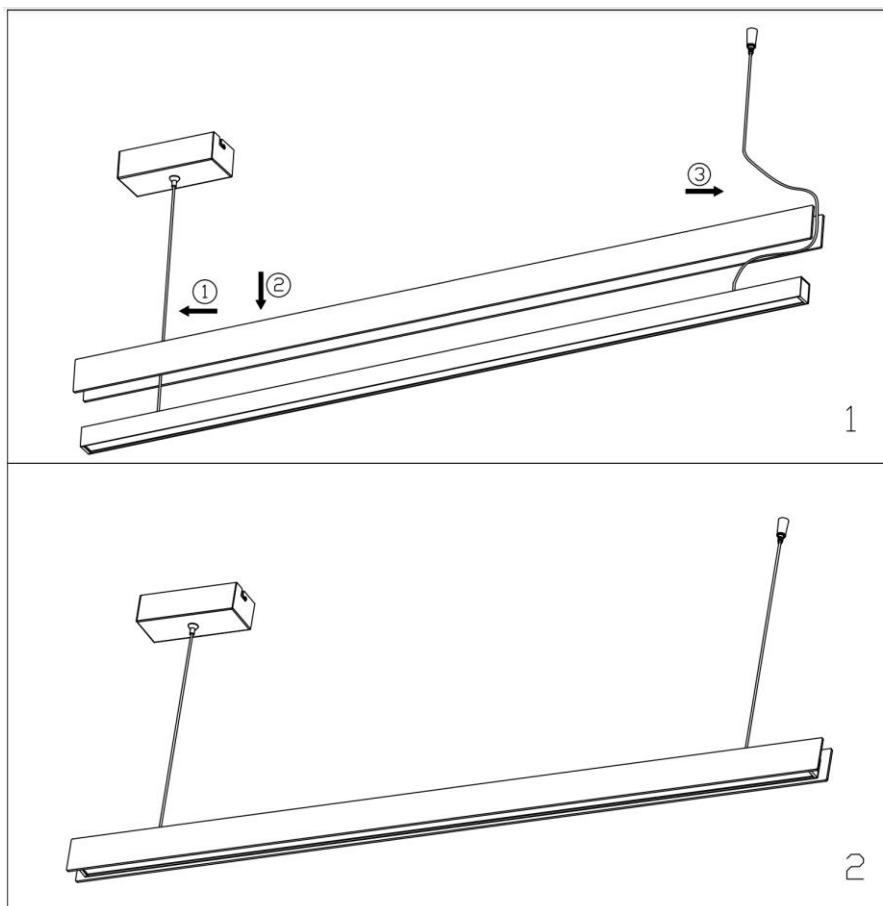
Installation Requirements

- This installation instruction is for the shade only. No electrical wiring connection or disconnection is required for installation of the shade. The service of a licensed electrician is not required.
- The luminaire (sold separately) must be assembled and installed by a licensed electrician.
- Lay out all the components on a smooth surface and make sure no components are missing before assembling. If parts are missing, return the complete product to the place of purchase for inspection or replacement.
- Check whether the product has been damaged during transport. Do not operate/install any product which appears damaged in any way. Return the complete product to the place of purchase for inspection, repair or replacement.
- Ensure power to the circuit you are working on has been switched OFF before commencing any electrical work..

Installation Directions

NOTE: Ensure power to the luminaire (sold separately) you are working on has been switched OFF before commencing the installation.

1. Remove all packaging material from the product and be careful not to throw away accessories that may be hidden within the packaging material. If assembly is required, place the product on a smooth non-scratch surface.
Note: The suspension of the pendant should be at least 30cm when installing the shade.
2. Insert the string into the opening on both sides (1), (3) of the shade. (Fig 1)
3. Rest the shade (2) onto the luminaire. (Fig 1)
4. Enjoy your new shade with the luminaire. (Fig. 2)



Note: The suspension of the pendant should be at least 30cm when installing the shade.

Safety Tips

- Always ensure the power is OFF and the luminaire has cooled down before performing any maintenance, cleaning or making any adjustment to the luminaire.
- To avoid injury or damage to the luminaire, ensure that power leads and screws are secure before connecting the power.
- Select a suitable location away from liquids and hazards.
- To clean, wipe with a soft damp cloth. Do NOT soak or immerse the product in water or other liquids.
- Ensure that the product does not come in contact with corrosive chemicals/solvents or abrasive cleaners etc..

Specifications			
SKU #	028173	028174	028175
Colour	Brushed Nickel Finish	Aged Brass Finish	Bronze Finish
Compatible Pendants (Sold separately)	STRIX III Pendant (V2): SKU# 020587, 020588		
Weight	1.5 kg (not including the pendant)		
Dimensions	L:1840mm W:31.5mm H:54mm		