

HAMILTON LARGE PENDANT

SKU# 039090, 039091, 039092

Rated Voltage 220-240V~ 50Hz

Thank you for purchasing this quality Lucci product. To ensure correct function and safety, please read and follow all instructions carefully before assembly, installation and use of this product. Please keep instructions for future reference.

Warranty

- This fitting is covered by a 12 month warranty. The warranty is from date of purchase, not the date of installation.
- If the fitting is not assembled and installed by a licensed electrician the warranty will be void.
- Please retain proof of purchase and evidence of installation by a licensed electrician.
- Warranty will be void if there is any damage due to improper usage or modification to the fitting.
- Failure to comply with the instructions in this manual may increase the risk of damage or injury and will void warranty.

Installation Requirements

- This fitting must be assembled and installed by a licensed electrician.
- All wiring and installation of the light fitting must adhere to local and national wiring rules.
eg. AS/NZS 3000:2007/Amendment 2:2012 Electrical installations.
- Do not exceed the maximum wattage rating.
- Select a suitable location for installation:
 - This product is suitable for indoor use only.
 - The mounting point must support 2 times the weight of the fitting.
 - Ensure the fitting is not installed in direct line of an air vent/system.
 - When installing a fitting in an area prone to moisture, ensure that the area is well ventilated and an appropriately rated exhaust fan is used if required. Damage or corrosion caused by moisture is not a product fault, and as such is not covered under warranty.
- Take care not to pull any electrical wires during unpacking as this may damage the connection.
- Lay out all the components on a smooth surface and make sure there are no components missing before assembling. If parts are missing, return the complete product to the place of purchase for inspection or replacement.
- Check whether the fitting has been damaged during transport. Do not operate/install any product which appears damaged in any way. Return the complete product to the place of purchase for inspection, repair or replacement.
- Ensure power to the circuit you are working on has been switched OFF before commencing any electrical work.

Installation Directions

1. Remove all packaging material from the product and be careful not to throw away accessories that may be hidden within the packaging material. To help with assembly, lay the fitting on its side on a smooth non scratch surface.
2. Determine the length of the suspension rod required for your installation location.
3. Install the required length of suspension rod (H, I, J, K) onto the body (L) of the fitting.
Pull the cord out as you assemble, to remove any slack. Take care not to cross thread or twist and damage the cord.
4. Pull the cord up into the canopy (E) and attach the canopy (E) to the top of the suspension rod via the joint (G).
5. Remove the mounting bracket (C) from the canopy (E) by loosening the screws (F) on both sides.
6. Use the mounting bracket (C) as a template to mark the screw positions on the ceiling.
7. Install the mounting bracket (C) onto the ceiling by using appropriately sized mounting screws (D) and anchors (B).
Ensure the screws (D) and anchors (B) used are suitable for the mounting surface and surrounding environment.
8. Remove the cover from the terminal block (A) and connect the mains supply wire and fitting wires together.

Mains Supply Wire

Earth – Yellow/Green

Neutral – Blue or Black

Live – Brown or Red

Fitting Wire

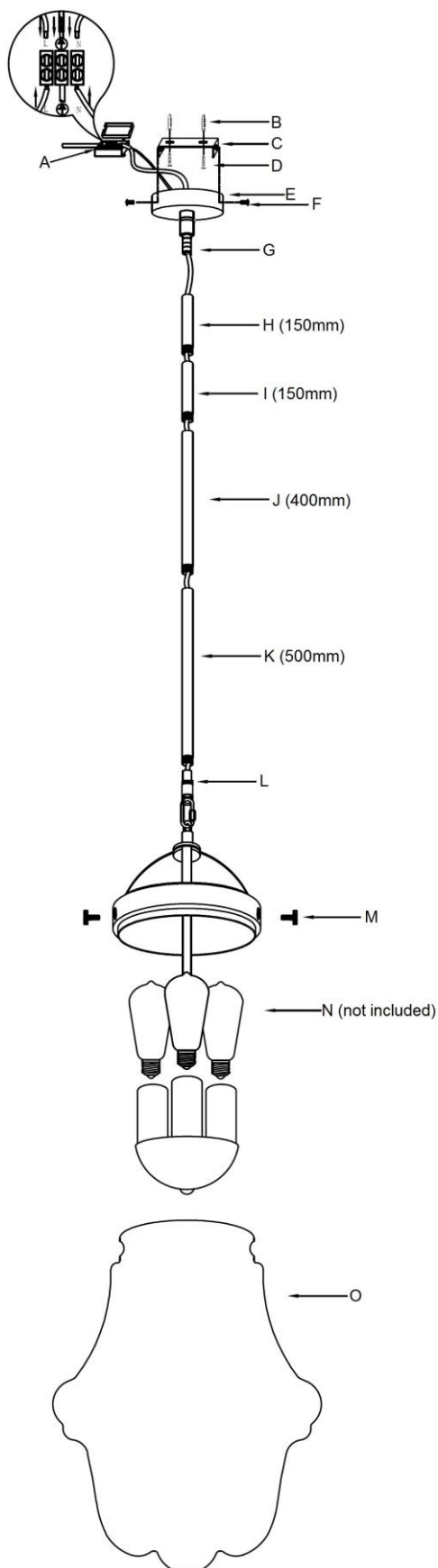
Yellow/Green or 

Blue or N

Brown or L

9. Ensure the wires are secure and no bare wires are exposed. Install the cover back over the terminal block (A).

10. Install the canopy (E) onto the mounting bracket (C) and secure by tightening the screws (F) on both sides.
11. Install globes (N - not included) into the lamp holders. Do not exceed the maximum wattage rating.
12. Install the glass shade (O) onto the fitting and secure by tightening the screws (M) on the sides.
13. After the installation, switch on the fitting to test and enjoy your new lighting product.



Safety Tips

- Always ensure the power is OFF and the fitting has cooled down before performing any maintenance, cleaning, changing the globe or making any adjustment to the fitting.
- To avoid injury or damage to the fitting, ensure that power leads and screws are secure before connecting the power.
- Select a suitable location away from liquids and hazards.
- Ensure that the fitting does not come in contact with corrosive chemicals, etc.
- To clean, wipe with a damp clean cloth. Never soak the fitting with water.

Specifications

SKU #	039090	039091	039092
Colour	Matte Black	Oil Rub Bronze	Chrome
Rated Voltage	220-240V~ 50Hz		
Rated Wattage	75W Max. (3 x Max. 25W)		
Lamp Holder	ES / E27		
Weight	5.7kg		
Dimensions	H:695mm Dia:400mm Susp:1200mm MAX		