

CHRYSLER 1 LIGHT ROD SUSPENSION

SKU# 039238

Rated Voltage 220-240V~ 50Hz

To ensure correct function and safety, please read and follow all instructions carefully before assembly, installation and use of this product. Please keep instructions for future reference.

Warranty

- This luminaire is covered by a 12 month warranty. The warranty is from date of purchase, not the date of installation.
- If the luminaire is not assembled and installed by a licensed electrician the warranty will be void.
- Please retain proof of purchase and evidence of installation by a licensed electrician.
- Warranty will be void if there is any damage due to improper usage or modification to the luminaire.
- Failure to comply with the instructions in this manual may increase the risk of damage or injury and will void warranty.

Installation requirements

- This luminaire must be assembled and installed by a licensed electrician.
- All wiring and installation of the luminaire must adhere to the latest local and national wiring rules. E.g. AS/NZS 3000 Electrical Installations.
- The luminaire is a Class I product and must be earthed during wiring and installation.
- This luminaire is rated IP44 and must be maintained during wiring and installation of the luminaire.
- Do not exceed the maximum wattage rating.
- Select a suitable location for installation:
 - This product is suitable for indoor use or outdoor use, provided if it is installed with glass shade.
 - The mounting point must support 2 times the weight of the luminaire.
 - This luminaire is rated against water penetration to IP44 standards, which is water splashing from any direction.
 - If installing a luminaire in an area prone to moisture, ensure that the area is well ventilated and an appropriately rated exhaust fan is used if required. Damage or corrosion caused by moisture is not a product fault, and as such is not covered under warranty.
- Take care not to pull any electrical wires during unpacking as this may damage the connection.
- Lay out all the components on a smooth surface and make sure there are no components missing before assembling. If parts are missing, return the complete product to the place of purchase for inspection or replacement.
- Check whether the luminaire has been damaged during transport. Do not operate/install any product which appears damaged in any way. Return the complete product to the place of purchase for inspection, repair or replacement.
- Ensure power to the circuit you are working on has been switched OFF before commencing any electrical work.

Installation directions

1. Remove all packaging material from the product and be careful not to throw away accessories that may be hidden within the packaging material. If assembly is required, place the luminaire on a smooth non-scratch surface.
2. Remove the mounting bracket (B) with waterproof rubber ring (D) from the canopy (I) by loosening the screw nuts (K).
3. Use the mounting bracket (B) as a template to mark the screw positions on the ceiling.
4. Determine the length of the suspension rod required for your installation location.
5. Install the required length of suspension rods (M, N, O, P) onto the body (R) of the luminaire, install the rubber washer (L) between parts (I,M,N,O,P,R)
Pull the cord (Q) out as you assemble, to remove any slack.

Take care not to cross thread or twist and damage the cord (Q).

6. Pull the cord (Q) up into the canopy (I) and attach the canopy (I) to the top of the suspension rod.
7. Install the canopy (I) onto the top of the suspension rod.
8. Install the mounting bracket (B) onto the ceiling by using appropriately sized mounting screws (F) & rubber washer (E) and anchors (A). Ensure the screws (F) and anchors (A) used are suitable for the mounting surface and the surrounding environment.
9. Connect luminaire wires (Q&H) and main supply wires to the terminal block (G).

Mains Supply Wire

Earth – Yellow/Green

Neutral – Blue or Black

Live – Brown or Red

Fitting Wire / Terminal block

Yellow/Green or 

Blue or N

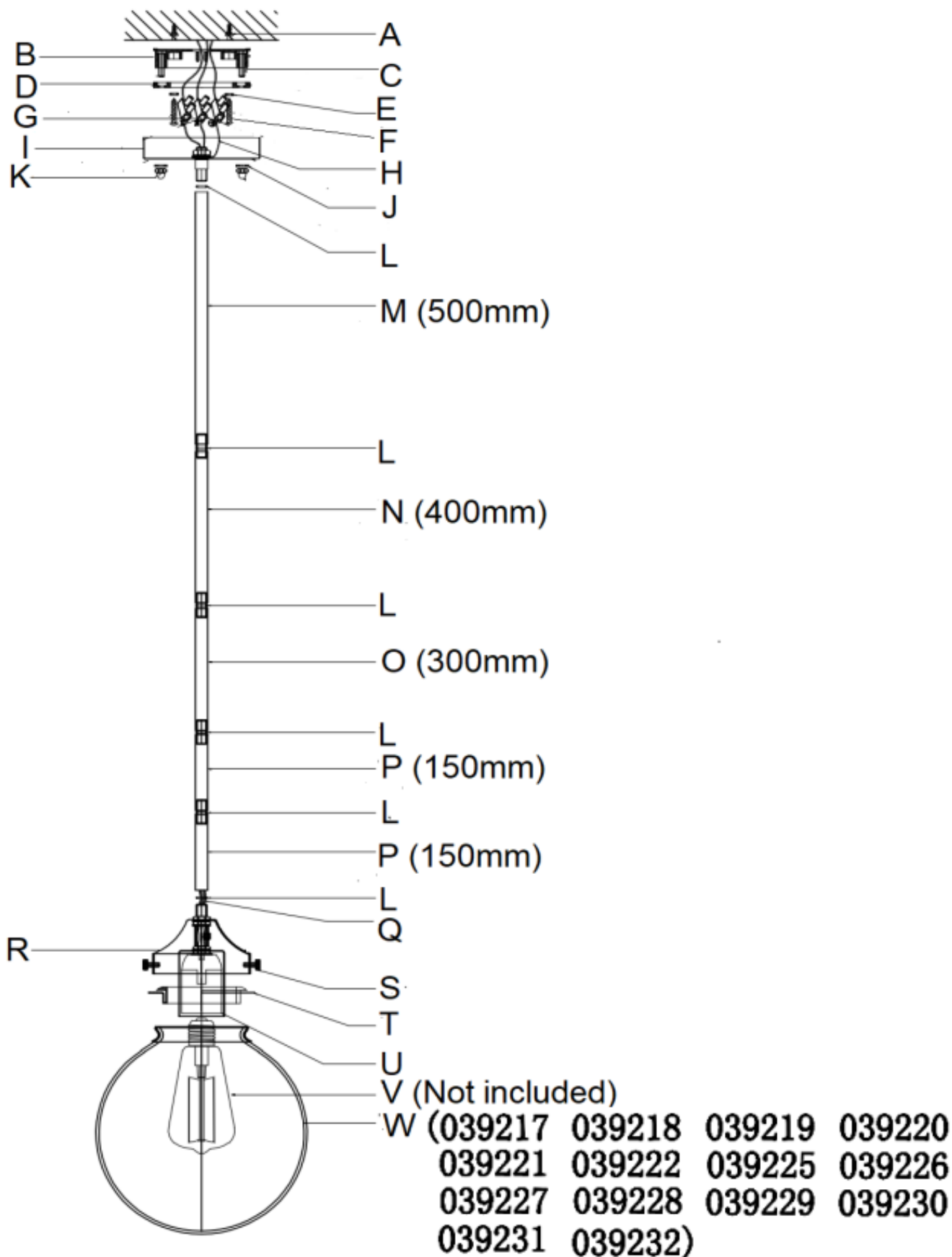
Brown or L

Ensure the wires are secure and no bare wires are exposed.

10. Install the canopy (I) onto the mounting bracket (B) with waterproof rubber ring (D) and secure by tightening the screw nuts (K) with rubber washers (J).
11. The globe (V-not included) through the rubber ring (T), Install the globe (V – not included) into the lamp holder (U). Do not exceed the maximum wattage rating.
12. Place the rubber ring (T) flat on the glass shade (W, Not included) neck and tightening the nuts (S) on the body(R) of the luminaire.

NOTE: This luminaire is only compatible with the following shades (sold separately): SKU# 039217, 039218, 039219, 039220, 039221, 039222, 039225, 039226, 039227, 039228, 039229, 039230, 039231, 039232.

13. After the full assembly and installation, switch on the luminaire to test and enjoy your new lighting product.



NOTE: This luminaire is only compatible with the shades (sold separately) listed in the specification section.

Safety tips

- Always ensure the power is OFF and the luminaire has cooled down before performing any maintenance, cleaning, changing the globe or making any adjustment to the luminaire.
- To avoid injury or damage to the luminaire, ensure that power leads and screws are secure before connecting the power.
- Select a suitable location away from liquids and hazards.
- Ensure that the luminaire does not come in contact with corrosive chemicals/solvents or abrasive cleaners etc.
- To clean, wipe with a damp clean cloth. Do NOT soak or immerse the product in water or other liquids.

Specifications

SKU #	039238
Rated Voltage	220-240V~ 50Hz
Rated Wattage	45W Max.
Lamp Holder	ES / E27
IP Rating	IP 44
Weight	0.75kg (without shades) 3.5kg (Max. weight with shade)
Compatible Shades (sold separately)	SKU# 039217, 039218, 039219, 039220, 039221, 039222, 039225, 039226, 039227, 039228, 039229, 039230, 039231, 039232
Dimensions	H:105mm Dia:120mm (without shade) Suspension:1500mm