

ADELE 4 LIGHT PENDANT or CLOSE TO CEILING

SKU# 050234

Rated Voltage 220-240V~ 50Hz

Thank you for purchasing this quality Lucci product. To ensure correct function and safety, please read and follow all instructions carefully before assembly, installation and use of this product. Please keep instructions for future reference.

Warranty

- This luminaire is covered by a 12-month warranty. The warranty is from date of purchase, not the date of installation.
- If the luminaire is not assembled and installed by a licensed electrician, the warranty will be void.
- Please retain the proof of purchase and evidence of installation by a licensed electrician for any warranty enquiries.
- Warranty will be void if there is any damage due to improper usage or modification to the luminaire.
- Failure to comply with the instructions in this manual may increase the risk of damage or injury and will void the warranty.

Installation Requirements

- Must be assembled and installed by a licensed electrician.
- All wiring and installation of the luminaire must adhere to the latest local and national wiring rules. E.g. AS/NZS 3000 Electrical Installations Do not exceed the maximum wattage rating.
- This luminaire is a Class I product and must be earthed during wiring and installation.
- Select a suitable location for installation:
 - This luminaire is suitable for indoor use only.
 - The mounting point must support 2 times the weight of the luminaire.
 - Ensure the luminaire is not installed in direct line of an air vent/system.
 - If installing a luminaire in an area prone to moisture, ensure that the area is well ventilated, and an appropriately rated exhaust fan is used if required. Damage or corrosion caused by moisture is not a product fault, and as such is not covered under warranty.
- Take care not to pull any electrical wires during unpacking as this may damage the connection.
- Lay out all the components on a smooth surface and make sure no components are missing before assembling. If parts are missing, return the complete product to the place of purchase for inspection or replacement.
- Check whether the luminaire has been damaged during transport. Do not operate/install any product which appears damaged in any way. Return the complete product to the place of purchase for inspection, repair or replacement.
- Ensure power to the circuit you are working on has been switched OFF before commencing any electrical work.

Installation Directions

- Select the type of installation you require before assembly and installation:
This luminaire can be installed as a Pendant or Close to Ceiling.
Refer to the corresponding instructions and diagram for the different installation methods.
NOTE: Assembly and installation of this luminaire must be done by a licensed electrician.
- Due to the weight and size of the luminaire, two people will be required to lift up the luminaire during installation.
- Remove all packaging material from the product and be careful not to throw away accessories that may be hidden within the packaging material. If assembly is required, place the luminaire on a smooth non-scratch surface.

PENDANT INSTALLATION (Refer to the diagram on page 3)

1. Use the mounting bracket (D) as a template to mark the screw positions on the ceiling.
2. Install the mounting bracket (D) onto the ceiling by using appropriately sized mounting screws (E) and anchors (C). Ensure the screws (E) and anchors (C) used are suitable for the mounting surface and the surrounding environment.
3. Determine the suspension length required for your installation location. The chain (I) suspension length can be adjusted by using the chain-link connectors (B).
4. Install the rod (K) onto the threaded hole (L) and secure by tightening the grub screw (M) with alley key (N) provided.
5. Using the luminaire hook, hang the luminaire onto the mounting bracket ring.

**NOTE: Check and ensure the load/weight of the luminaire is NOT on the supply cord (J).
The load/weight of the luminaire must ALWAYS be on the chain (I) suspension.**

6. Connect the mains supply wire to the terminal block (A). Ensure the wires are secure and no bare wires are exposed.

Mains Supply Wire

Earth – Yellow/Green

Neutral – Blue or Black

Live – Brown or Red

Luminaire Wire / Terminal Block

Yellow/Green or 

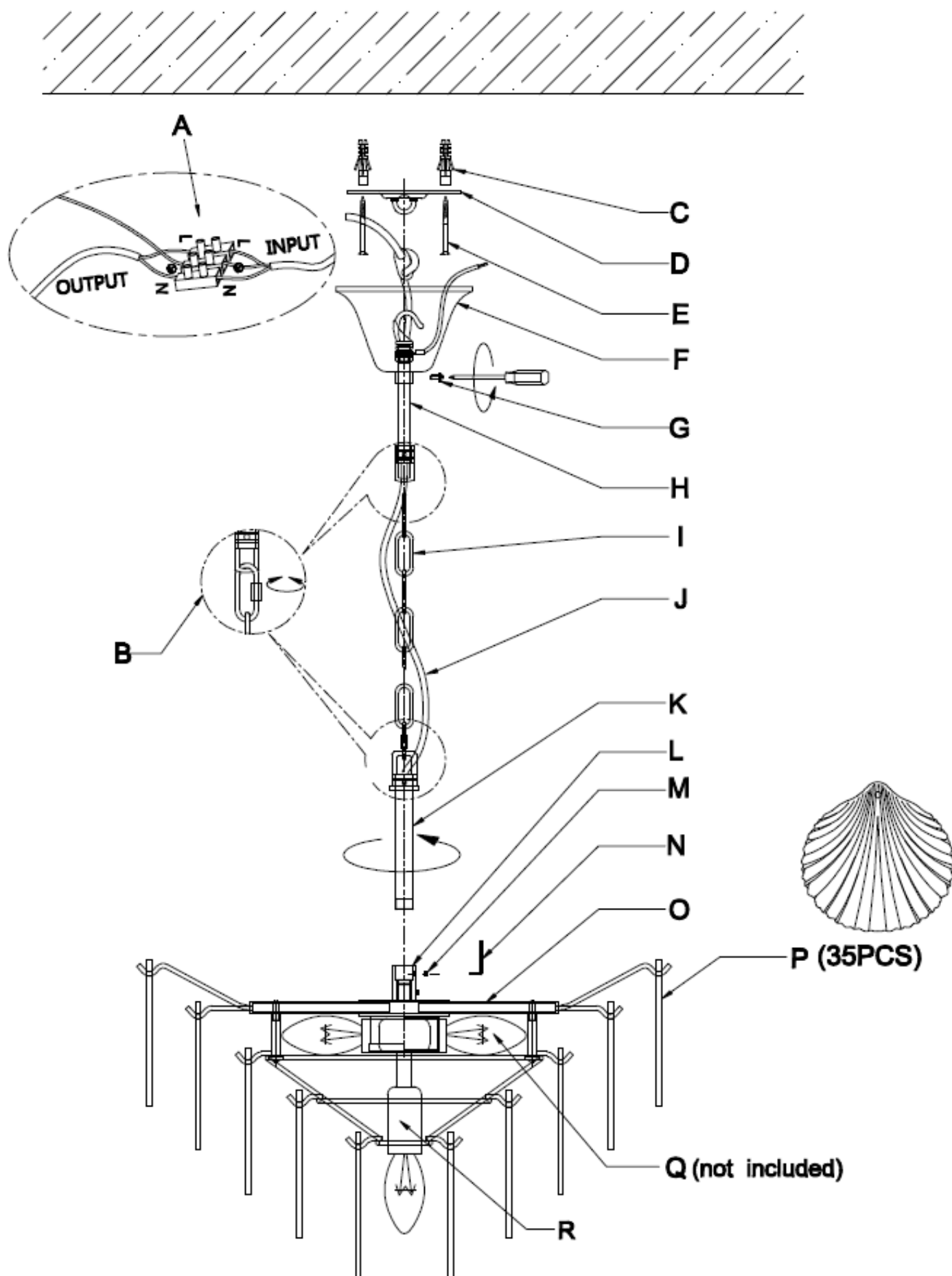
Blue or N

Brown or L

NOTE: This luminaire is a Class I product and must be earthed during wiring and installation.

7. Push the bell shaped canopy (F) up so it is flush on the ceiling and secure by tightening the screw (G).
8. Install the globes (Q - not included) into the lamp holders (R). Do not exceed the maximum wattage rating.
9. Install the decorative shades (P – 36 pieces) onto the luminaire frame (O).
10. After the installation, switch on the luminaire to test and enjoy your new lighting product.

PENDANT INSTALLATION DIAGRAM (Refer to installation instructions on page 2)



CLOSE TO CEILING INSTALLATION INSTRUCTIONS (Refer to the diagram on page 5)

1. Remove the mounting bracket (C) from the canopy (F) by loosening the nuts (G).
2. Use the mounting bracket (C) as a template to mark the screw positions on the ceiling.
3. Install the mounting bracket (C) onto the ceiling by using appropriately sized mounting screws (D) and anchors (B).
Ensure the screws (D) and anchors (B) used are suitable for the mounting surface and the surrounding environment.
4. Feed the luminaire cord (I) up through the rod (H) and install the rod (H) into the threaded hole (J). Take care, not to cross-thread or twist and damage the cord. Secure the rod (H) by tightening the grub screw (K) with alley key (L) provided.
5. Install the canopy (F) on to the rod (H) and secure by tightening the nut.

NOTE: Ensure that the star washer, earth ring, lock washer and nut are installed in the correct sequence.

6. Connect the mains supply wire to the terminal block (A). Ensure the wires are secure and no bare wires are exposed.

Mains Supply Wire

Earth – Yellow/Green

Neutral – Blue or Black

Live – Brown or Red

Luminaire Wire / Terminal Block

Yellow/Green or 

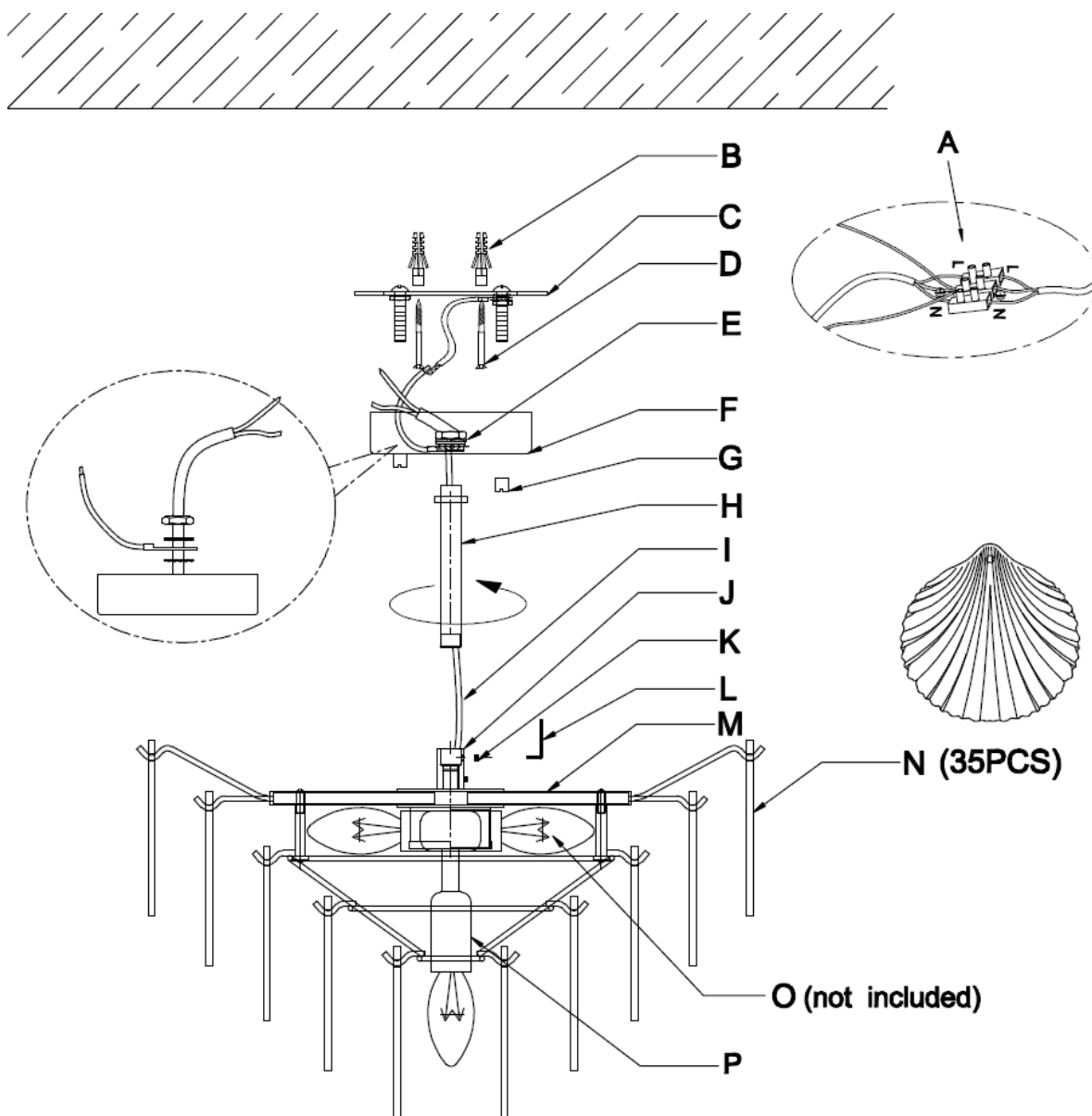
Blue or N

Brown or L

NOTE: This luminaire is a Class I product and must be earthed during wiring and installation.

7. Install the canopy (F) onto the mounting bracket (C) and secure by tightening the nuts (G).
8. Install globes (O - not included) into the lamp holders (P). Do not exceed the maximum wattage rating.
9. Install the decorative shades (N – 35 pieces) onto the luminaire frame (M).
10. After the installation, switch on the luminaire to test and enjoy your new lighting product.

CLOSE TO CEILING INSTALLATION DIAGRAM (Refer to installation instructions on page 4)



Safety Tips

- Always ensure the power is OFF and the luminaire has cooled down before performing any maintenance, cleaning, changing the globe or making any adjustment to the luminaire.
- To avoid injury or damage to the luminaire, ensure that power leads and screws are secure before connecting the power.
- Select a suitable location away from liquids and hazards.
- To clean, wipe with a soft damp cloth. Do NOT soak or immerse the luminaire in water or other liquids.
- Ensure that the luminaire does not come in contact with corrosive chemicals/solvents or abrasive cleaners etc.

Specifications

SKU #	050234
Rated Voltage	220-240V~ 50Hz
Rated Wattage	180W Max. (4 x Max. 45W)
Lamp Holder	SES / E14
Weight	7.1kg
Canopy Dimensions	Pendant Canopy: H:80mm Dia:120mm CTC Canopy: H:30mm Dia:120mm
Luminaire Dimensions	H:420mm Dia:480mm Susp:2000mm MAX