

CORBELLE LARGE PENDANT

SKU# 050343, 050344, 050354

Rated Voltage 220-240V~ 50Hz

Thank you for purchasing this quality Lucci product. To ensure correct function and safety, please read and follow all instructions carefully before assembly, installation and use of this product. Please keep instructions for future reference.

Warranty

- This luminaire is covered by a 12-month warranty. The warranty is from the date of purchase, not the date of installation.
- If the luminaire is not assembled and installed by a licensed electrician, the warranty will be void.
- Please retain the proof of purchase and evidence of installation by a licensed electrician for any warranty enquiries.
- Warranty will be void if there is any damage due to improper usage or modification to the luminaire.
- Failure to comply with the instructions in this manual may increase the risk of damage or injury and will void the warranty.

Installation Requirements

- This luminaire must be assembled and installed by a licensed electrician.
- All wiring and installation of the luminaire must adhere to the latest local and national wiring rules. E.g. AS/NZS 3000 Electrical Installations.
- The luminaire is a Class I product and must be earthed during wiring and installation.
- Do not exceed the maximum wattage rating.
- Select a suitable location for installation:
 - This luminaire is suitable for indoor use only.
 - The mounting point must support 2 times the weight of the luminaire.
 - Ensure the luminaire is not installed in the direct line of an air vent/system.
 - If installing a luminaire in an area prone to moisture, ensure that the area is well ventilated, and an appropriately rated exhaust fan is used if required. Damage or corrosion caused by moisture is not a product fault, and as such is not covered under warranty.
- Take care not to pull any electrical wires during unpacking as this may damage the connection.
- Lay out all the components on a smooth surface and make sure no components are missing before assembling. If parts are missing, return the complete product to the place of purchase for inspection or replacement.
- Check whether the luminaire has been damaged during transport. Do not operate/install any product which appears damaged in any way. Return the complete product to the place of purchase for inspection, repair or replacement.
- Ensure power to the circuit you are working on has been switched OFF before commencing any electrical work.

Installation Directions

NOTE: Due to the weight and the size of the luminaire, two people will be required to lift it up during the installation process.

1. Remove all packaging material from the product and be careful not to throw away accessories that may be hidden within the packaging material. If assembly is required, lay the fitting on a smooth non-scratch surface.
2. Determine the suspension length required for your installation location. The chain suspension length can be adjusted by using the chain link connectors (K).
3. Remove both the inner and outer cover rings (Q) from the top of the fitting by loosening the screws (P).
4. Install the inner glass rods (O) first, by carefully inserting them through the top and bottom brackets (T).
5. Install the outer glass rods (N) by carefully inserting them through the top and bottom brackets (S).


NOTE: When handling the glass rods (N & O), ensure care is taken so they do not crack or break.

6. Install the cover rings (Q) back onto the top of the luminaire and secure using the screws (P).
Take care not to overtighten the screws (P) and damage the glass rods (N & O).
7. Use the hook mounting bracket (B) as a template to mark the screw hole positions on the ceiling.
8. Loosen the screw (E) at the end of the safety lanyard (G) and loop the safety lanyard onto the mounting bracket (B).
9. Tighten the screw (E) at the end of the safety lanyard (G) and ensure it is attached securely.
10. Install the hook mounting bracket (B) onto the ceiling. Depending on the mounting surface, either use appropriately sized mounting screws (D) or use expansion bolts (A). Ensure the screws (D) or the expansion bolts (A) used are suitable for the mounting surface and the surrounding environment. If using expansion bolts (A) ensure to install the washer (C), spring washer and nut to secure.
11. Use the luminaire hook to hang up the luminaire onto the hook mounting bracket (B).
12. Remove the cover from the terminal block (F) and connect the mains supply wire.

Mains Supply Wire

Earth – Yellow/Green
Neutral – Blue or Black
Live – Brown or Red

Luminaire Wire / Terminal Block

Yellow/Green or 
Blue or N
Brown or L

NOTE: This luminaire is a Class I product and must be earthed during wiring and installation.

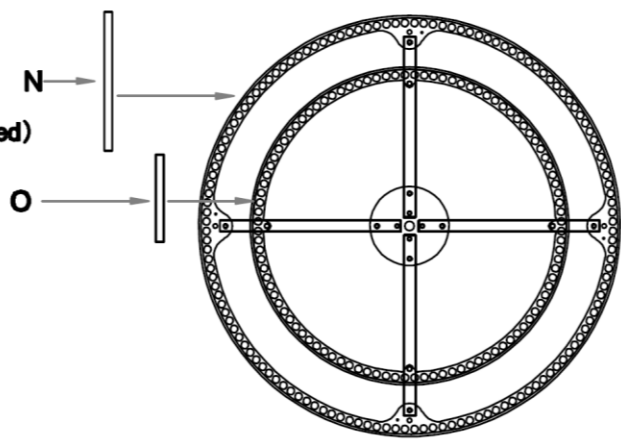
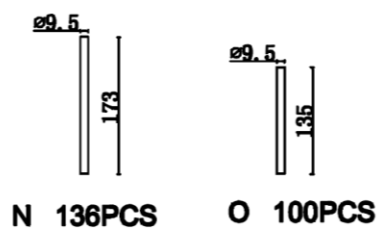
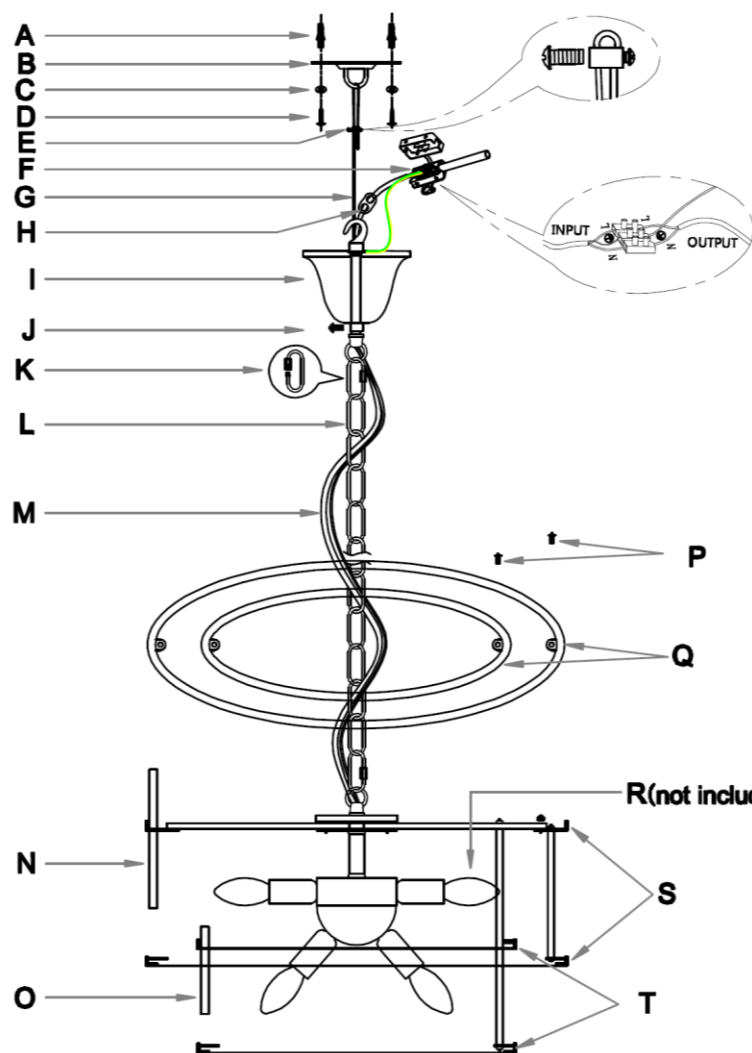
13. Ensure the wires are secure and no bare wires are exposed. Install the cover back over the terminal block (F).
14. Slide and install the canopy (I) over the hook mounting bracket (B) and secure by tightening the screw (J).

NOTE: Check and ensure the chain suspension (L) and the safety lanyard (G) is not squashing or rubbing against the cord (M).

NOTE: Ensure the load/weight of the pendant is on the chain suspension (L) and not the cord (M) or the safety lanyard (G) by checking the chain suspension (L) is in tension and not the cord (M) or the safety lanyard (G).

NOTE: The load/weight of the pendant MUST always be on the chain suspension (L) and NEVER on the cord (K) or the safety lanyard (G).

15. Install globes (R - not included) into the lamp holders. Do not exceed the maximum wattage rating.
16. After the installation, switch on the fitting to test and enjoy your new lighting product.



Safety Tips

- Always ensure the power is OFF and the luminaire has cooled down before performing any maintenance, cleaning, changing the globes or making any adjustment to the luminaire.
- To avoid injury or damage to the luminaire, ensure that power leads and screws are secure before connecting the power.
- Select a suitable location away from liquids and hazards.
- To clean wipe with a soft damp cloth. Do NOT soak or immerse the luminaire in water or other liquids.
- Ensure that the luminaire does not come in contact with corrosive chemicals/solvents or abrasive cleaners etc.

Specifications

SKU #	050343	050344	050354
Colour	Polished Chrome	Antique Black	Antique Brass Finish
Rated Voltage	220-240V~ 50Hz		
Rated Wattage	450W Max. (10 x Max. 45W)		
Lamp Holder	SES / E14		
Weight	12.3kg		
Dimensions	H:350mm Dia:530mm Susp:2000mm		