

RUSTIQUE 8 LIGHT CHANDELIER

SKU# 060771

Rated Voltage 220-240V~ 50Hz

Thank you for purchasing this quality Lucci product. To ensure correct function and safety, please read and follow all instructions carefully before assembly, installation and use of this product. Please keep instructions for future reference.

Warranty

- This light fitting is covered by a 12 month warranty. The warranty is from date of purchase, not the date of installation.
- If the fitting is not assembled and installed by a licensed electrician the warranty will be void.
- Please retain proof of purchase and evidence of installation by a licensed electrician for any warranty enquiries.
- Warranty will be void if there is any damage due to improper usage or modification to the fitting.
- Failure to comply with the instructions in this manual may increase the risk of damage or injury and will void warranty.

Installation Requirements

- Must be assembled and installed by a licensed electrician.
- All wiring and installation of the luminaire must adhere to the latest local and national wiring rules. eg. AS/NZS 3000 Electrical installations.
- This luminaire is a Class I product and must be earthed during wiring and installation.
- Do not exceed the maximum wattage rating.
- Select a suitable location for installation:
 - This luminaire is suitable for indoor use only.
 - The mounting point must support 2 times the weight of the luminaire.
 - Ensure the luminaire is not installed in direct line of an air vent/system.
 - When installing a luminaire in an area prone to moisture, ensure that the area is well ventilated and an appropriately rated exhaust fan is used if required. Damage or corrosion caused by moisture is not a product fault, and as such is not covered under warranty.
- Take care not to pull any electrical wires during unpacking as this may damage the connection.
- Lay out all the components on a smooth surface and make sure there are no components missing before assembling. If parts are missing, return the complete product to the place of purchase for inspection or replacement.
- Check whether the luminaire has been damaged during transport. Do not operate/install any product which appears damaged in any way. Return the complete product to the place of purchase for inspection, repair or replacement.
- Ensure power to the circuit you are working on has been switched OFF before commencing any electrical work.

Installation Directions

NOTE: Due to the size and weight of the luminaire, two people may be required to lift up the luminaire during installation

1. Remove all packaging material from the product and be careful not to throw away accessories that may be hidden within the packaging material. To help with assembly, lay the luminaire on its side on a smooth non scratch surface.
2. Use the mounting bracket (L) as a template to mark the screw positions on the ceiling.
3. Install the mounting bracket onto the ceiling using appropriately sized mounting screws (M) and anchors (K). Ensure the screws (M) and anchors (K) used are suitable for the mounting surface and the surrounding environment.
4. Install the safety lanyard (O) onto the mounting bracket (L) and secure with the screw (M).
5. Install the central rod (C) to the luminaire body (F) and secure with the screw (G).
6. Determine the suspension length required for your installation location. The chain suspension (S) length can be adjusted by using the chain link connectors (B).

NOTE: Check and ensure that NO load/weight is placed onto the luminaire wire (T) by the chain suspension (S) and safety lanyard (O). The full load/weight of the luminaire must always be on the chain suspension (S) and NEVER on the luminaire wire (T) or safety lanyard (O).

7. Hang up the luminaire using the hook (P) onto the mounting bracket (L).

8. Connect the mains supply wire to the terminal block (A) provided.

Mains Supply Wire

- Earth – Yellow/Green
- Neutral – Blue or Black
- Live – Brown or Red

Luminaire Wire / Terminal block

- Yellow/Green or
- Blue or N
- Brown or L

9. Ensure the wires are secure and no bare wires are exposed.

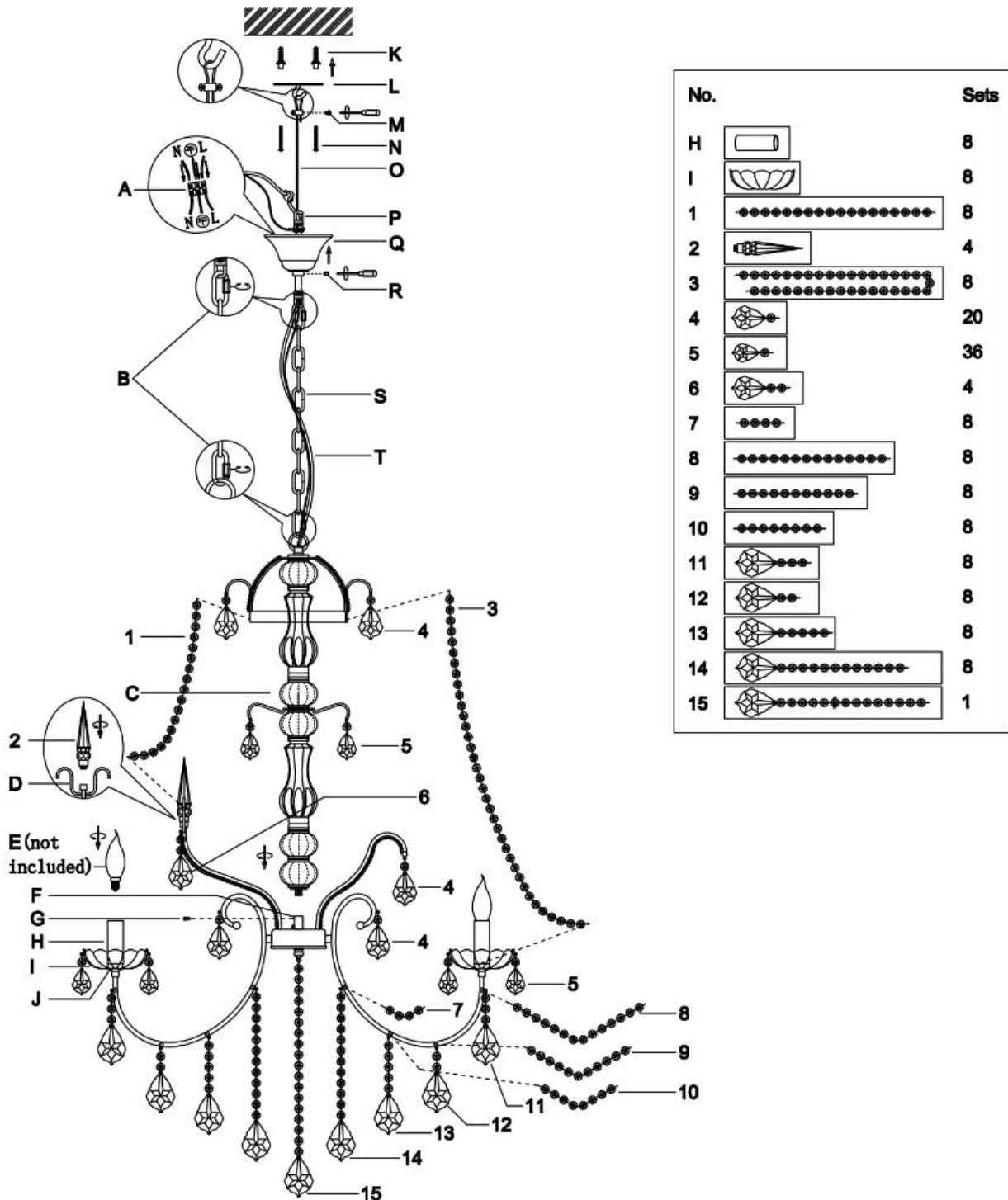
10. Push the canopy (Q) up so it is flush on the ceiling and secure it by tightening the screw (R) on the side.

11. Install the decorative cups (I) and the decorative covers (H) onto the lamp holders (J).

12. Install globes (E - not included) into the lamp holders (J). Do not exceed the maximum wattage rating.

13. Install all the decorative crystal kits (1 - 15) according to the diagram below.

14. After the installation, switch on the luminaire to test and enjoy your new lighting product.



Safety Tips

- Always ensure the power is OFF and the luminaire has cooled down before performing any maintenance, cleaning, changing the globe or making any adjustment to the fitting.
- To avoid injury or damage to the luminaire, ensure that power leads and screws are secure before connecting the power.
- Select a suitable location away from liquids and hazards.
- Ensure that the luminaire does not come in contact with corrosive chemicals/solvents or abrasive cleaners etc.
- To clean, wipe with a damp clean cloth. Do NOT soak or immerse the product in water or other liquids.

Specifications

SKU #	060771
Colour	Bronze
Rated Voltage	220-240V~ 50Hz
Rated Wattage	360W Max. (8 x Max. 45W)
Lamp Holder	SES / E14
Weight	12.4kg
Dimensions	H:1180mm Dia:800mm Susp:2000mm