

SARITA 10 LIGHT CRYSTAL CHANDELIER/CTC

SKU# 066253; 060790

Rated Voltage 220-240V~ 50Hz

To ensure correct function and safety, please read and follow all instructions carefully before assembly, installation and use of this product. Please keep instructions for future reference.

Warranty

- This luminaire is covered by a 12-month warranty. The warranty is from the date of purchase, not date of installation.
- If the luminaire is not assembled and installed by a licensed electrician, the warranty will be void.
- Please retain the proof of purchase and evidence of installation by a licensed electrician for any warranty enquiries.
- Warranty will be void if there is any damage due to improper usage or modification to the luminaire.
- Failure to comply with the instructions in this manual may increase the risk of damage or injury and will void the warranty.

Installation Requirements

- This luminaire must be assembled and installed by a licensed electrician.
- All wiring and installation of the luminaire must adhere to the latest local and national wiring rules. E.g. AS/NZS 3000 Electrical Installations.
- The luminaire is a Class I product and must be earthed during wiring and installation.
- Do not exceed the maximum wattage rating.
- Select a suitable location for installation:
 - This luminaire is suitable for indoor use only.
 - The mounting point must support 2 times the weight of the luminaire.
 - If installing a luminaire in an area prone to moisture, ensure that the area is well ventilated, and an appropriately rated exhaust fan is used if required. Damage or corrosion caused by moisture is not a product fault, and as such is not covered under warranty.
- Take care not to pull any electrical wires during unpacking as this may damage the connection.
- Lay out all the components on a smooth surface and make sure no components are missing before assembling. If parts are missing, return the complete product to the place of purchase for inspection or replacement.
- Check whether the luminaire has been damaged during transport. Do not operate/install any product which appears damaged in any way. Return the complete product to the place of purchase for inspection, repair or replacement.
- Ensure power to the circuit you are working on has been switched OFF before commencing any electrical work.

Installation Directions

1. Select the type of installation you require before assembly and installation:
This luminaire can be installed as a Pendant or Close to Ceiling.
Refer to the corresponding instructions and diagram for the different installation methods.
2. Remove all packaging material from the product and be careful not to throw away accessories that may be hidden within the packaging material. If assembly is required, place the luminaire on a smooth non-scratch surface.

NOTE: Assembly and installation of this luminaire must be done by a licensed electrician.

NOTE: Due to the weight and the size of the luminaire, two people will be required to lift it up during the installation process.

PENDANT INSTALLATION INSTRUCTIONS (Refer to the diagram on Page 3)

1. Use the pendant hook mounting bracket (B) as a template to mark the screw hole positions on the ceiling.
2. Install the pendant hook mounting bracket (B) onto the ceiling by using appropriately sized mounting screws (C) and anchors (A). Ensure the screws (C) and anchors (A) used are suitable for the mounting surface and the surrounding environment.
3. Determine the suspension length required for your installation location. The chain suspension (I) length can be adjusted by using the chain link connectors (K). Excess cable (J) can be pulled into the canopy (G) and secured using the plastic cable anchorage (P). After adjusting the chain suspension (I) length, check and ensure that NO load/weight is placed onto the cable (J). The full load/weight of the pendant must always be on the chain suspension (I).
4. Use the luminaire hook (F) to hang up onto the pendant hook mounting bracket (B).
5. Connect the mains supply wire to the terminal block (D). Ensure the wires are secure and no bare wires are exposed.

Mains Supply Wire

Earth – Yellow/Green

Neutral – Blue or Black

Live – Brown or Red

Luminaire Wire / Terminal Block

Yellow/Green or 

Blue or N

Brown or L

NOTE: This luminaire is a Class I product and must be earthed during wiring and installation.

6. Slide and install the canopy (G) over the hook mounting bracket (B) and secure by tightening the screw (H).

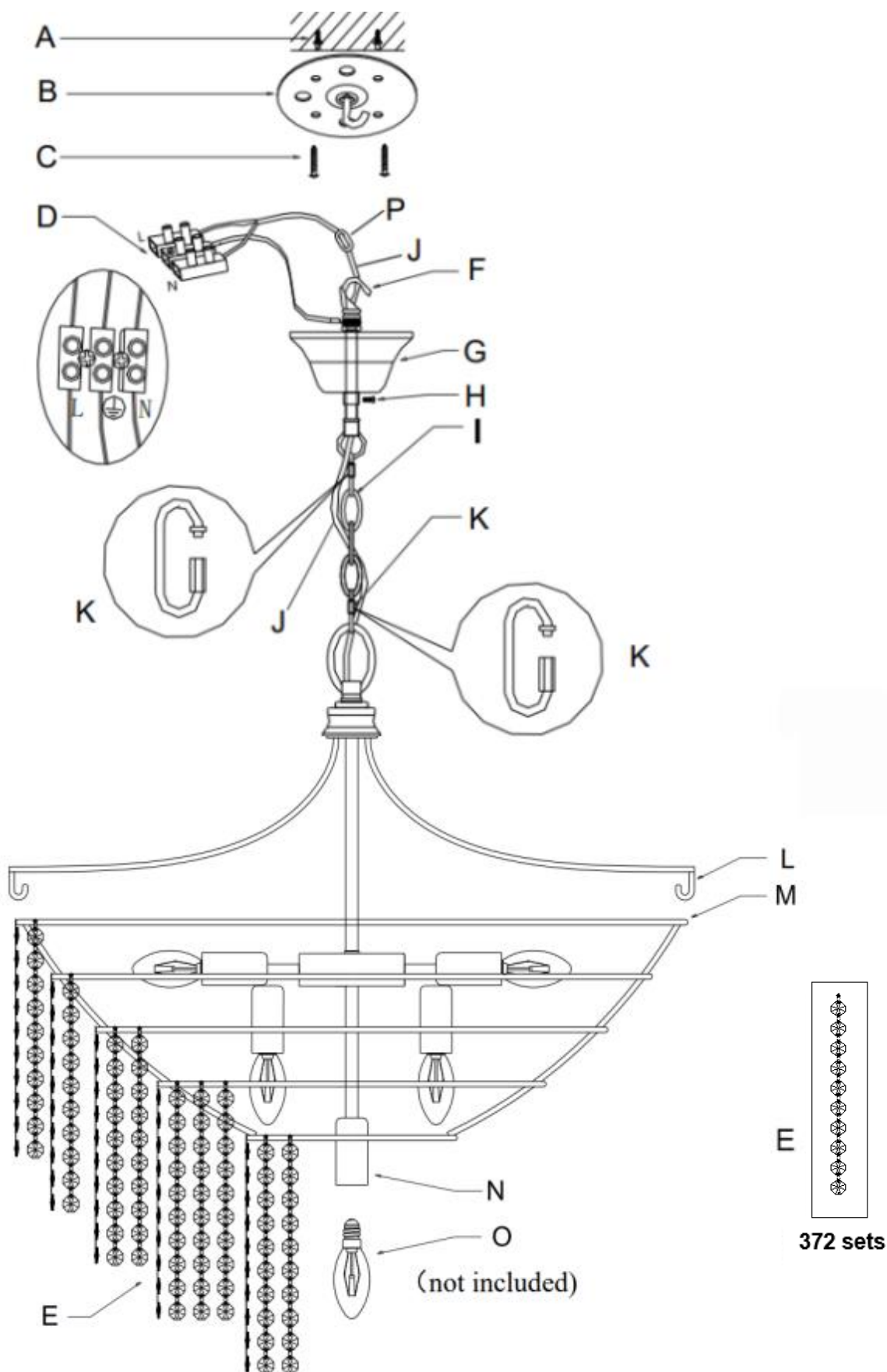
NOTE: Check and ensure the chain suspension (I) is not squashing or rubbing against the cord (J).

NOTE: Ensure the load/weight of the pendant is on the chain suspension (I) and not the cord (J) by checking the chain suspension (I) is in tension and not the cord (J).

NOTE: The load/weight of the pendant MUST always be on the chain suspension (I) and NEVER on the cord (J).

7. Install globes (O – not included) into the lamp holders (N). Do not exceed the maximum wattage rating.
8. Hang the luminaire frame (M) up onto the luminaire arm(L).
9. Install the decorative crystal drops (E - 372 sets) onto the luminaire frame (M).
10. After the installation, switch on the fitting to test and enjoy your new lighting product.

PENDANT INSTALLATION DIAGRAM (Refer to the installation steps on Page 2)



CLOSE TO CEILING INSTALLATION INSTRUCTIONS (Refer to the diagram on page 5)

1. Remove all components relating to the chain suspension from the luminaire. This will require disconnecting all wiring from the terminal block (D) and removing the plastic cable anchorage (P) from the luminaire cable (J).
2. Insert the luminaire cable (J) through the centre hole of the CTC canopy (Q).
3. Lower the CTC canopy (Q) onto the luminaire body and insert the bolt at the top of the luminaire into canopy (Q).
4. secure the CTC canopy (Q) onto the luminaire body by installing the star washer (X), earth ring (T), lock washer (W) and nut (V) over the luminaire cable (J) and onto the bolt at the top of the luminaire body.

NOTE: Ensure star washer (X), earth ring (T), lock washer (W) and nut (V) are installed in the correct sequence.

5. Use the CTC mounting bracket (S) as a template to mark the screw positions on the ceiling.
6. Install the CTC mounting bracket (S) onto the ceiling by using appropriately sized mounting screws (C) and anchors (A). Ensure the screws (C) and anchors (A) used are suitable for the mounting surface and the surrounding environment.
7. Connect the luminaire wires and the mains supply wires to the terminal block (D). Ensure the wires are secure and no bare wires are exposed.

Mains Supply Wire

Earth – Yellow/Green

Neutral – Blue or Black

Live – Brown or Red

Luminaire Wire / Terminal Block

Yellow/Green or 

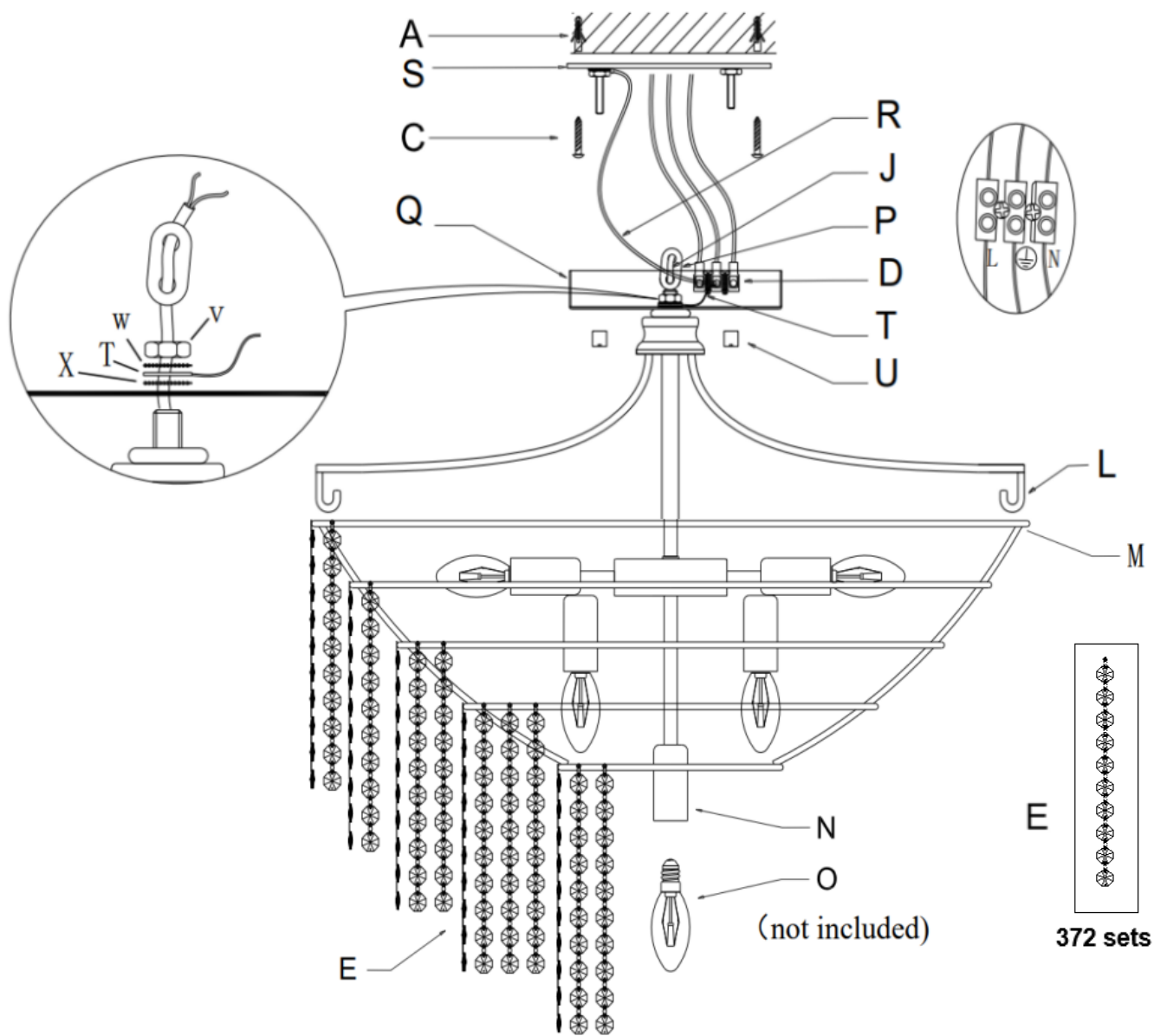
Blue or N

Brown or L

NOTE: This luminaire is a Class I product and must be earthed during wiring and installation. Please make sure the earth wire (R) from the CTC mounting bracket (S) and the earth ring wire (T) from the CTC canopy (Q) are connected to the terminal block (D).

8. Install the CTC canopy (Q) onto the CTC mounting bracket (S) and secure by tightening the nuts (U) on the bottom.
9. Install globes (O - not included) into the lamp holders (N). Do not exceed the maximum wattage rating.
10. Hang the luminaire frame (M) up onto the luminaire arms (L).
11. Install the decorative crystal drops (E - 372 sets) onto the luminaire frame (M).
12. After the installation, switch on the fitting to test and enjoy your new lighting product.

CLOSE TO CEILING INSTALLATION DIAGRAM (Refer to the installation steps on Page 4)



Safety Tips

- Always ensure the power is OFF and the luminaire has cooled down before performing any maintenance, cleaning, changing the globes or making any adjustment to the luminaire.
- To avoid injury or damage to the luminaire, ensure that power leads and screws are secure before connecting the power.
- Select a suitable location away from liquids and hazards.
- To clean wipe with a soft damp cloth. Do NOT soak or immerse the luminaire in water or other liquids.
- Ensure that the luminaire does not come in contact with corrosive chemicals/solvents or abrasive cleaners etc.

Specifications

| | | |
|---------------|---------------------------|-----------------|
| SKU # | 066253 | 060790 |
| Colour | Aged Brass Finish | Polished Chrome |
| Rated Voltage | 220-240V~ 50Hz | |
| Rated Wattage | 280W Max. (10 x Max. 28W) | |
| Lamp Holder | SES / E14 | |
| Weight | 11kg | |

Pendant Dimensions

| | |
|-------------------------------|-----------------------------------|
| Bell shaped Canopy Dimensions | H:80mm Dia:120mm |
| Pendent Luminaire Dimensions | H:685mm Dia:650mm Susp:2000mm MAX |

Close-to-Ceiling Dimensions

| | |
|-------------------------------|-------------------|
| Flat shaped Canopy Dimensions | H:25mm Dia:150mm |
| CTC Luminaire Dimensions | H:645mm Dia:650mm |