

PROJECT DIY FLUSH MOUNT

SKU# 080234, 080236

Rated Voltage 220-240V~ 50Hz

DIY (Installation onto existing batten holder)

Thank you for purchasing this quality Lucci product. To ensure correct function and safety, please read and follow all instructions carefully before assembly, installation and use of this product. Please keep instructions for future reference.

Warranty

- This fitting is covered by a 12 month warranty from the date of purchase. Please retain proof of purchase.
- Warranty will be void if there is any damage due to improper usage or modification to the fitting.
- Failure to comply with the instructions in this manual may increase the risk of damage or injury and will void warranty.

Installation Requirements

- This fitting is a DIY (Do It Yourself) product, no electrical wiring connection or disconnection is required. The service of a licensed electrician is not required.
- This fitting is designed to be used with a batten holder (not included). The installation location must have an existing batten holder (not included) pre-installed. If you don't have a batten holder (not included), please contact your licensed electrician.
- Ensure the existing batten holder is in good working condition and the plastic has not become cracked or brittle.
- This product is suitable for indoor use only.
- Ensure the fitting is not installed in direct line of an air vent/system.
- If installing a fitting in an area prone to moisture, ensure that the area is well ventilated and an appropriately rated exhaust fan is used if required. Damage or corrosion caused by moisture is not a product fault, and as such is not covered under warranty.
- Do not exceed the maximum globe wattage rating after the installation of this DIY product.
- Lay out all the components on a smooth surface and make sure there are no components missing before assembling. If parts are missing, return the complete product to the place of purchase for inspection or replacement.
- Check whether the fitting has been damaged during transport. Do not operate/install any product which appears damaged in any way. Return the complete product to the place of purchase for inspection, repair or replacement.
- Ensure power to the batten holder you are working on has been switched OFF before commencing the installation.

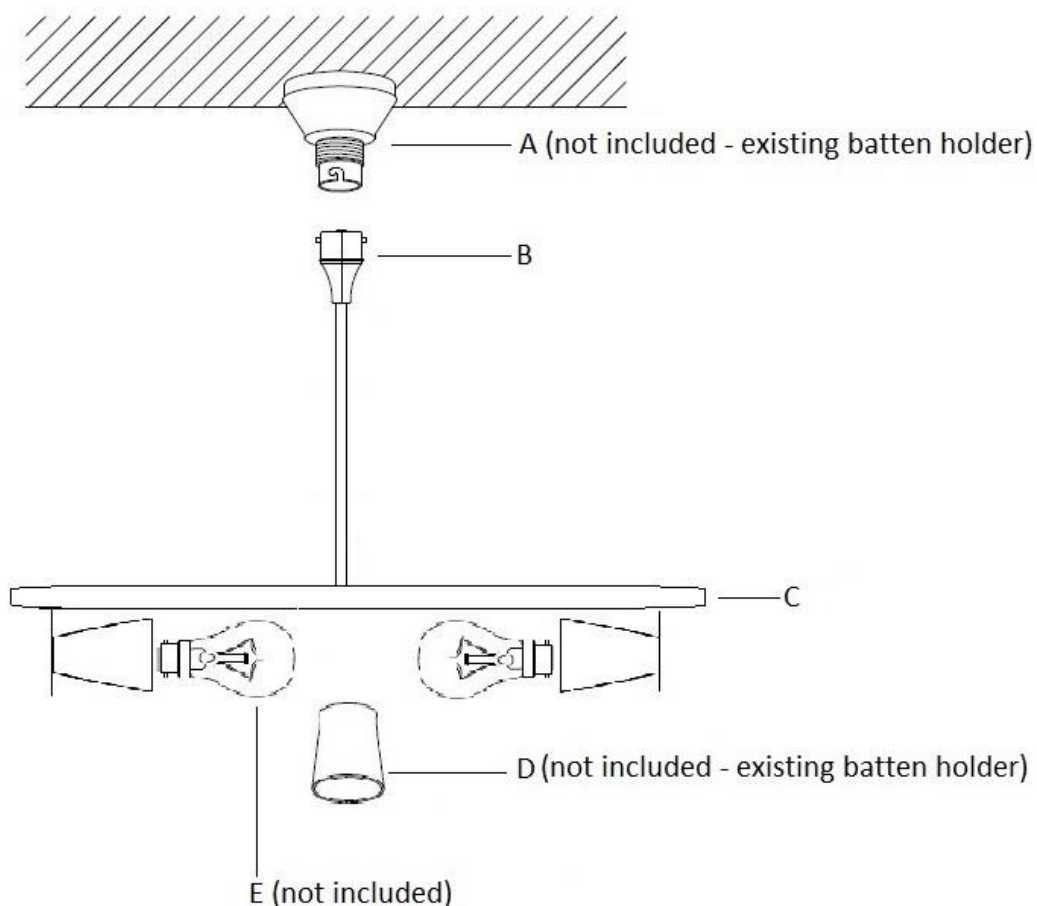
Installation Directions

1. Remove all packaging material from the product.
2. Remove the glass shade from the fitting (C).
3. Remove the batten holder skirt (D – not included) from the batten holder (A – not included).
4. Install the fitting (C) onto the batten holder (A – not included) and secure with the batten holder skirt (D – not included).

NOTE: Ensure the batten holder skirt (D – not included) is attached securely.

Check that it has taken up at least 2-3 full threads while attaching the batten holder skirt (D – not included) to the batten holder (A – not included).

5. Install the bayonet adaptor (B) into the batten holder (A – not included).
6. Install globes (E - not included) into the lamp holders. Do not exceed the maximum wattage rating.
7. Check and ensure no wiring is touching the globes and install the glass shade back onto the fitting (C).
8. Check and ensure the product is fully assembled with the globe installed before turning on the power to the fitting. Switch on the fitting to test and enjoy your new lighting product.



Safety Tips

- Always ensure the power is OFF and the fitting has cooled down before performing any maintenance, cleaning, changing the globe or making any adjustment to the fitting.
- Handle the fitting and/or shade with care to avoid any damage or breakage.
- Select a suitable location away from liquids and hazards,
- Ensure that the fitting does not come in contact with corrosive chemicals, etc.
- To clean, wipe with a damp clean cloth. Never soak the fitting with water.

Specifications

SKU#	080234	080236
Rated Voltage	220-240V~ 50Hz	
Rated Wattage	80W Max. (2 x Max. 40W)	
Lamp Holder	BC/B22	
Weight	1.0kg	1.9kg
Dimensions	H:85mm Dia:300mm	H:110mm Dia:400mm