

## CIRCA FLUSH MOUNT

SKU# 086610, 086611

Rated Voltage 220-240V~ 50Hz

To ensure correct function and safety, please read and follow all instructions carefully before assembly, installation and use of this luminaire. Please keep instructions for future reference.

### Warranty

- This luminaire is covered by a 3-year warranty. The warranty is from date of purchase, not the date of installation.
- If the luminaire is not assembled and installed by a licensed electrician the warranty will be void.
- Please retain proof of purchase and evidence of installation by a licensed electrician for any warranty enquiries.
- The use of non-compatible dimmers may damage your LED luminaire and will void your warranty.
- Warranty will be void if there is any damage due to improper usage or modification to the luminaire.
- Failure to comply with the instructions in this manual may increase the risk of damage or injury and will void the warranty.

### Installation Requirements

- This luminaire must be assembled and installed by a licensed electrician.
- All wiring and installation of the luminaire must adhere to the latest local and national wiring rules. e.g. AS/NZS 3000 Electrical installations.
- This luminaire is a Class I product and must be earthed during wiring and installation.

**NOTE: Cables or wires of different voltage systems (e.g. Low Voltage and SELV), must be separated by double insulation. Ensure the mains supply wire connection to the terminal block is double insulated.**

- The colour temperature selection **MUST** be made by the licensed electrician during the installation of the luminaire.

**NOTE: The colour temperature switch can only be accessed by a licensed electrician, which is located inside the luminaire canopy.**

- Select a suitable location for installation:
  - This luminaire is suitable for indoor use only.
  - The mounting point must support 2 times the weight of the luminaire.
  - If installing a luminaire in an area prone to moisture, ensure that the area is well ventilated, and an appropriately rated exhaust fan is used if required. Damage or corrosion caused by moisture is not a product fault, and as such is not covered under warranty.
- The colour shifting function is designed to operate with a mechanical or relay ON/OFF switch, as well as selected semi-conductor ON/OFF switches, such as MFL Artisan or Lucci Power Dimmers with ON/OFF functionality.

**NOTE: The colour shifting function may not operate correctly on all semi-conductor switches.**

- The use of a LED dimmer is strongly recommended. Please see **Highly Recommended Dimmers** section of the Specifications on Page 4 for a list of SKUs that have been specifically designed & tested for use with this luminaire.

**NOTE: Dimming may cause buzzing sounds or a slight flicker. There may be slight delays with the LED luminaire start-up or uneven light performance when more than one LED luminaire is linked together, switched ON or dimmed. This is not a product fault and as such is not covered under warranty.**

**NOTE: Some dimmers have a minimum load of 20W. Ensure the dimmer position is on the maximum setting before turning on the LED light and adjust the dimmer down to your desired light level.**

**NOTE: Testing cannot account for installation variables such as variation in the mains supply voltage, cable capacitance, electrical noise, transients, surges and ripple control signals (commonly found in NSW & QLD).**

**NOTE: The information provided is correct to the best of Beacon Lighting's knowledge at the date of publication.**

- Take care not to pull any electrical wires during unpacking as this may damage the connection.

- Lay out all the components on a smooth surface and make sure there are no components missing before assembling. If parts are missing, return the complete product to the place of purchase for inspection or replacement.
- Check whether the luminaire has been damaged during transport. Do not operate/install any product which appears damaged in any way. Return the complete product to the place of purchase for inspection, repair or replacement.


## Installation Directions

**WARNING: Ensure power to the circuit you are working on has been switched OFF before commencing any electrical work.**

**NOTE: Due to the size/weight/wiring of the luminaire, two people will be required to lift it up during the installation process.**

1. Remove all packaging material from the product and be careful not to throw away accessories that may be hidden within the packaging material. If assembly is required, place the luminaire on a smooth non-scratch surface.
2. Remove the mounting bracket (B) from the luminaire (E) by loosening the screws (D) on the sides.
3. Use the mounting bracket (B) as a template to mark the screw positions onto the ceiling and drill the holes.
4. Install the mounting bracket (B) onto the ceiling by using appropriately sized mounting screws (C) and anchors (A). Ensure the screws (C) and anchors (A) are suitable for the mounting surface and the surrounding environment.
5. Connect the mains supply wire to the terminal block (G). Ensure the wires are secure and no bare wires are exposed.

### Mains Supply Wire

Earth – Yellow/Green 

Neutral – Blue or Black

Live – Brown or Red

### Luminaire Wire / Terminal Block

Yellow/Green 

Blue or N

Brown or L

**NOTE: This luminaire is a Class I product and must be earthed during wiring and installation.**

**NOTE: Cables or wires of different voltage systems (e.g. Low Voltage and SELV), must be separated by double insulation.**

**NOTE: Ensure the mains supply wire connection to the terminal block is double insulated.**

6. The colour temperature of this luminaire can be pre-set OR operated via the connected wall light switch.

**NOTE: The colour temperature selection MUST be made during the installation, as the colour temperature switch can only be accessed by a licensed electrician, which is located inside the canopy.**

### PRE-SETTING THE COLOUR TEMPERATURE OF THE LUMINAIRE:

To pre-set the colour temperature of the luminaire, select your desired colour temperature (WW – CW – DL) marked on the switch (F).

**NOTE: The luminaire must be turned OFF before using the switch to change the colour temperature. If the luminaire is not turned OFF, it may damage the LED driver.**

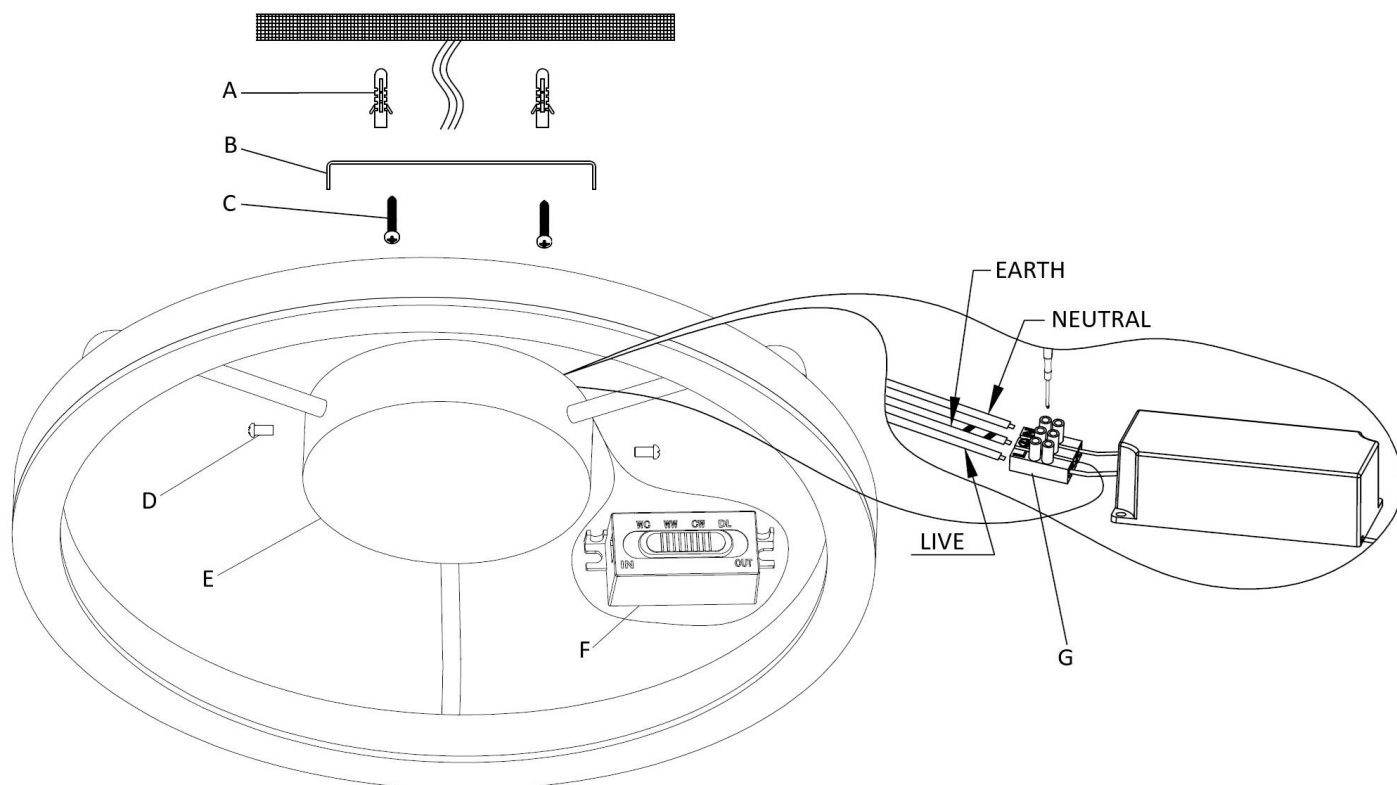
### COLOUR SWITCHING VIA THE WALL LIGHT SWITCH:

To switch the colour temperature via the connected wall light switch, select WC (Wall Control) on the switch (F).

**NOTE: If the luminaire is installed with a dimmer, it is recommended to turn the dimmer to the highest position before adjusting the colour temperature via the wall light switch.**

- To operate the colour shifting function, use the connected mechanical or relay ON/OFF wall light switch.
- While the luminaire is on, toggle the wall light switch OFF and ON again within 3 seconds.  
The colour shifting sequence will jump from WW – CW – DL.
- For the colour shifting to memorise the colour temperature, leave the wall switch OFF for over 7 seconds.

7. To reset the colour temperature, toggle the wall switch OFF and ON twice within 1 second. Repeat if it doesn't reset.  
**NOTE: If using an MFL Artisan or Lucci Power Dimmer, please see the Dimmer Installation Manual for instructions on how to operate the colour shifting functions correctly.**
8. Install the luminaire (E) back onto the mounting bracket (B) and secure by tightening the screws (D) on the sides.



## Safety Tips

- Always ensure the power is OFF and the luminaire has cooled down before performing any maintenance, cleaning or making any adjustment to the luminaire.
- To avoid injury or damage to the luminaire, ensure that power leads and screws are secure before connecting the power.
- The light source of this luminaire is not replaceable; when the light source reaches its end of life the whole luminaire shall be replaced. There are no serviceable parts, do not attempt to dismantle or open the luminaire.
- Select a suitable location away from liquids and hazards.
- To clean, wipe with a soft damp clean cloth. Do NOT soak or immerse the luminaire in water or other liquids.
- Ensure that the luminaire does not come in contact with corrosive chemicals/solvents or abrasive cleaners etc.

Specifications		
SKU #	086610	086611
Colour	Textured Black	Textured White
Rated Voltage	220-240V~ 50Hz	
Rated Wattage	28W Max.	
LED Specs	Dimmable, Colour Shifting LEDs*, CRI ≥ 90	
Rated Lumens	2700K - 1250 lumens 4000K - 1400 lumens 5000K - 1350 lumens	2700K - 1350 lumens 4000K - 1500 lumens 5000K - 1450 lumens
Highly Recommended Dimmers	MFL Artisan SKU# 197015, 197016, 197017, 197018. Lucci Power SKU# 290989, 290992, 290993, 290994. Lucci LEDlux SKU# 290997. Lucci Connect SKU# 299043. Buster + Punch DIM-002	
Compatible Dimmers	Clipsal 31E2PUDM, 31E2RUDM, 32E450UDM. DIGINET LED Smart MEDM. HPM Cat. 400T.	
Weight	1.8kg	
Luminaire Dimensions	H:80mm Dia:450mm	

\* The colour shifting function is designed to operate with a mechanical or relay ON/OFF switch, as well as selected semi-conductor ON/OFF switches, such as MFL Artisan or Lucci Power Dimmers with ON/OFF functionality outlined above. Please note the colour shifting function may not operate correctly on all semi-conductor switches.