

DOS 320MM FLUSH MOUNT

SKU# 089131, 089132, 089133

Rated Voltage 220-240V~ 50Hz

Thank you for purchasing this quality Lucci product. To ensure correct function and safety, please read and follow all instructions carefully before assembly, installation and use of this luminaire. Please keep instructions for future reference.

Warranty

- This luminaire is covered by a 12-month warranty. The warranty is from date of purchase, not the date of installation.
- If the luminaire is not assembled and installed by a licensed electrician, the warranty will be void.
- Please retain the proof of purchase and evidence of installation by a licensed electrician for any warranty enquiries.
- Warranty will be void if there is any damage due to improper usage or modification to the luminaire.
- Failure to comply with the instructions in this manual may increase the risk of damage or injury and will void the warranty.

Installation Requirements

- Must be assembled and installed by a licensed electrician.
- All wiring and installation of the luminaire must adhere to the latest local and national wiring rules.
E.g. AS/NZS 3000 Electrical Installations.
- This luminaire is a Class I product and must be earthed during wiring and installation.
- Do not exceed the maximum wattage rating.
- Compatible with GX53 lamps of 220mm or smaller.
- SKU# 121365/ SKU# 121366 GX53 lamps are recommended.
- Select a suitable location for installation:
 - This luminaire is suitable for indoor use only.
 - The mounting point must support 2 times the weight of the luminaire.
 - Ensure the luminaire is not installed in direct line of an air vent/system.
 - If installing a luminaire in an area prone to moisture, ensure that the area is well ventilated, and an appropriately rated exhaust fan is used if required. Damage or corrosion caused by moisture is not a product fault, and as such is not covered under warranty.
- Take care not to pull any electrical wires during unpacking as this may damage the connection.
- Lay out all the components on a smooth surface and make sure no components are missing before assembling. If parts are missing, return the complete product to the place of purchase for inspection or replacement.
- Check whether the luminaire has been damaged during transport. Do not operate/install any product which appears damaged in any way. Return the complete product to the place of purchase for inspection, repair or replacement.
- Ensure power to the circuit you are working on has been switched OFF before commencing any electrical work.

Installation Directions

1. Remove all packaging material from the product and be careful not to throw away accessories that may be hidden within the packaging material. If assembly is required, place the luminaire on a smooth non-scratch surface.
2. Use the luminaire (C) as a template to mark the screw positions on the ceiling.
3. Install the luminaire (C) onto the ceiling by using appropriately sized mounting screws (F) and anchors (A). Ensure the screws (F) and anchors (A) used are suitable for the mounting surface and the surrounding environment.
4. Remove the cover (D) from the terminal block (B) by loosening the screw nut (E).

NOTE: Keep the cover (D) and screw nut (E) in a safe place, they are required for re-installation later.

5. Connect the mains supply wire to the terminal block (B). A loop terminal is provided on the terminal block. Please see the LOOP TERMINAL section for assistance with the wiring connection and wiring diagram.

Mains Supply Wire

Earth – Yellow/Green

Neutral – Blue or Black

Live – Brown or Red

Luminaire Wire / Terminal Block

Yellow/Green

Blue or N

Brown or L

NOTE: Must Install the cover (D) back onto the terminal block (B) and secure using the screw nut (E).

NOTE: If you are using the LOOP TERMINAL, please ensure the loop terminal is covered.

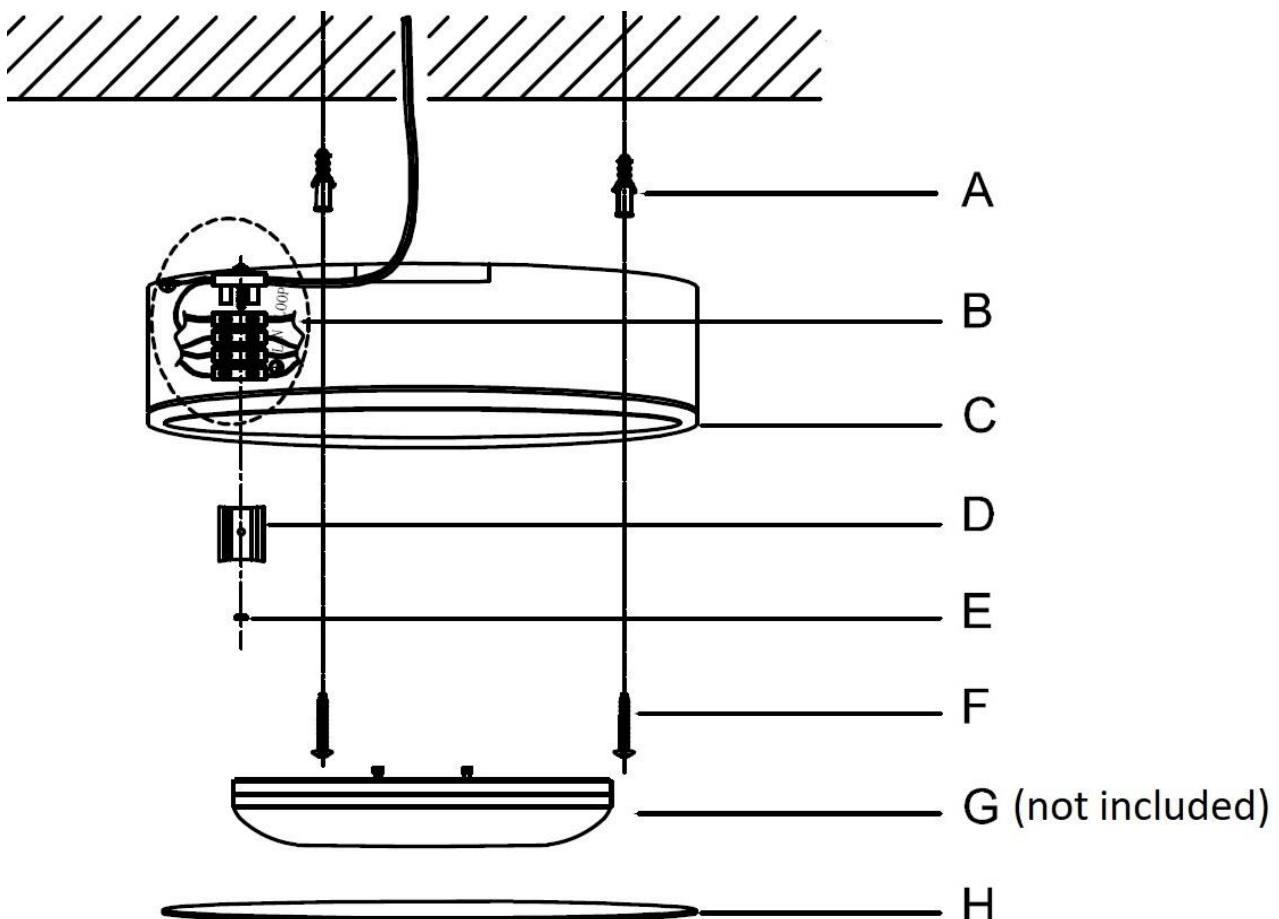
NOTE: Ensure the wires are secure, and no bare wires are exposed.

6. Install a lamp (G - not included) into the lamp holder. Do not exceed the maximum wattage rating.

NOTE: Compatible with GX53 lamps of 220mm or smaller.

SKU# 121365/ SKU# 121366 GX53 lamps are recommended.

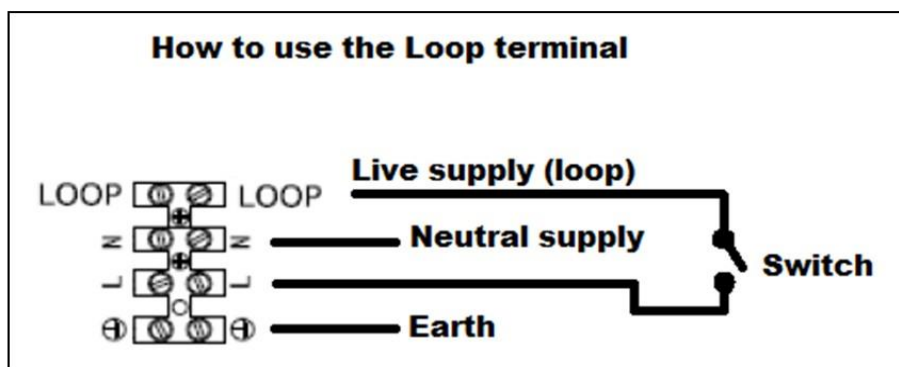
7. Insert the shade (H) into the luminaire (C).
8. After the installation, switch on the luminaire to test all the lighting functions and enjoy your new luminaire.



Loop Terminal

The loop terminal is provided as a second live supply terminal. It is useful when a switch is included into the wiring as shown in the diagram below.

WARNING: ALL WIRING CONNECTION & DISCONNECTION MUST BE PERFORMED BY A LICENSED ELECTRICIAN



NOTE: Must Install the cover back onto the terminal block and secure using the screw nut.

NOTE: Ensure the loop terminal is covered.

NOTE: Ensure the wires are secure, and no bare wires are exposed.

Safety Tips

- Always ensure the power is OFF and the luminaire has cooled down before performing any maintenance, cleaning, changing the globe or making any adjustment to the luminaire.
- To avoid injury or damage to the luminaire, ensure that power leads and screws are secure before connecting the power.
- Select a suitable location away from liquids and hazards.
- To clean, wipe with a soft damp cloth. Do NOT soak or immerse the luminaire in water or other liquids.
- Ensure that the luminaire does not come in contact with corrosive chemicals/solvents or abrasive cleaners etc.

Specifications

SKU #	089131	089132	089133
Colours	Matte Black	Matte White	Matte Grey
Rated Voltage	220-240V~ 50Hz		
Rated Wattage	Max. 23W *		
Lamp Holder	GX53		
Weight	1.1kg		
Dimensions	H:80mm Dia:320mm		

* **NOTE:** Compatible with GX53 lamps of 220mm or smaller.

SKU# 121365/ SKU# 121366 GX53 lamps are recommended.