

## ALFRED 1 LIGHT DIY BATTEN FIX

SKU# 099040, 099042, 099043, 099943

DIY (Installation onto existing batten holder)

Thank you for purchasing this quality Lucci product. To ensure correct function and safety, please read and follow all instructions carefully before assembly, installation and use of this product. Please keep instructions for future reference.

### Warranty

- This product is covered by a 12-month warranty valid for in-store replacement or refund only.
- The warranty period starts from the date of purchase. Please retain the proof of purchase.
- Warranty will be void if there is any damage due to improper usage or modification to the product.
- Failure to comply with the instructions in this manual may increase the risk of damage or injury and will void the warranty.

### Installation Requirements

- This product is a DIY (Do It Yourself) product, no electrical wiring connection or disconnection is required. The service of a licensed electrician is not required.
- This product is designed to be used with a batten holder (not included). The installation location must have an existing batten holder (not included) pre-installed. If you don't have a batten holder (not included), please contact your licensed electrician.

**NOTE: Ensure the existing batten holder (not included) is in good working condition, and the plastic has not become cracked, brittle or discoloured.**

- This product is suitable for indoor use only.
- Do not exceed the maximum globe wattage rating after the installation of this DIY product.
- Lay out all the components on a smooth surface and make sure there are no components missing before assembling. If parts are missing, return the complete product to the place of purchase for inspection or replacement.
- Check whether the product has been damaged during transport. Do not operate/install any product which appears damaged in any way. Return the complete product to the place of purchase for inspection, repair or replacement.

**NOTE: There are 4 different installation directions in this instruction manual:**

**1<sup>st</sup> installation method: For batten holder only - refer to page 2.**

**2<sup>nd</sup> installation method: For Lucci Create II (sold separately) Lamp holder exposed: SKU# 011444, 011445, 011446, 011447, 011448 & Lucci Create II finishing kit SKU 011466,011467, 011468, 011469, 011470- refer to page 3.**

**3<sup>rd</sup> installation method: For Lucci Create II (sold separately) Lamp holder hidden: SKU# 011444, 011445, 011446, 011447, 011448 & Lucci Create II finishing kit SKU 011466,011467, 011468, 011469, 011470- refer to page 4.**

**4<sup>th</sup> installation method: For Lucci Darly (sold separately): SKU# 099073, 099074- refer to page 5.**

## Installation Directions-For batten holder only

**NOTE: Ensure power to the batten holder you are working on has been switched OFF before commencing the installation.**

1. Remove all packaging material from the product and be careful not to throw away accessories that may be hidden within the packaging material.
2. Remove the skirt (F – not included) from the batten holder (A – not included).
3. Install the batten cover (B) over the batten holder (A – not included) followed by the glass shade (C), silicon washer (D), skirt cover (E) and secure with the skirt (F– not included).

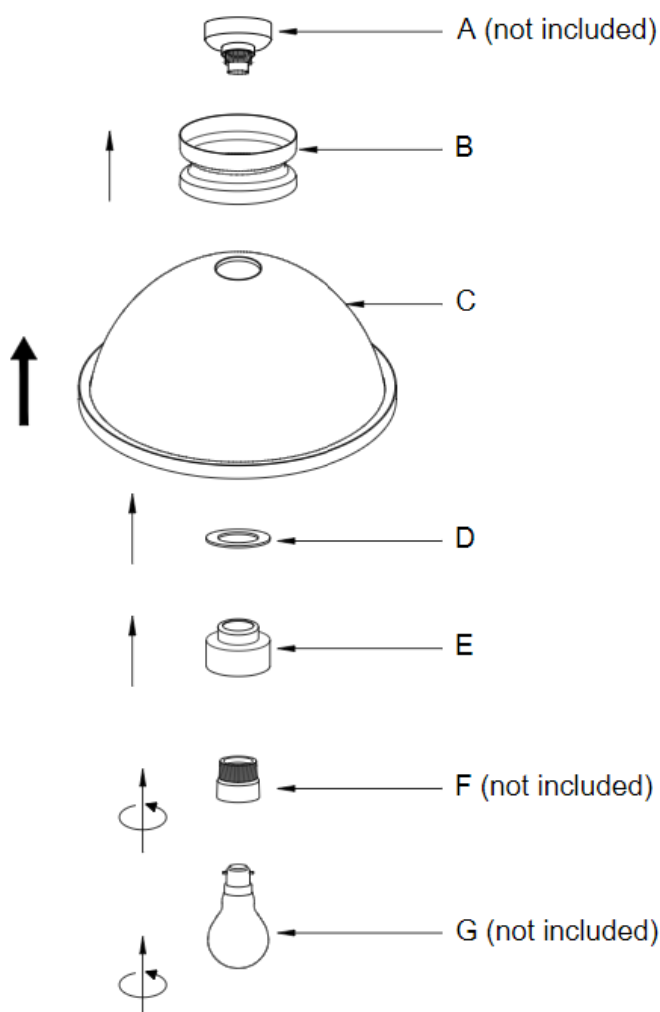
**NOTE: Ensure that the skirt (F – not included) is attached securely. Check that it has taken up at least 2-3 full threads while attaching the skirt (F – not included) to the batten holder (A – not included).**

**NOTE: If the glass shade(C) is not fixed tightly by installing with one silicon washer (D), use additional washer provided.**

4. Install a globe (G - not included) into the batten holder (A – not included).

**NOTE: Do not exceed the 45W maximum globe rating after the installation of this DIY product.**

5. Check and ensure the product is fully assembled and all parts are secure before turning on the power to the batten holder. Switch on the product to test and enjoy your new lighting product.



## Installation Directions-For Lucci Create II Lamp Holder Exposed (Sold Separately)

Compatible pendants: Lucci Create II suspension (sold separately): SKU# 011444, 011445, 011446, 011447, 011448 & Lucci Create II finishing kit SKU 011466,011467, 011468, 011469 , 011470

**WARNING: Ensure power to the luminaire you are working on has been switched OFF before commencing the installation.**

1. Remove all packaging material from the product and be careful not to throw away accessories that may be hidden within the packaging material.
2. Remove the lamp holder ring (H – not included) from the lamp holder (K – not included).
3. Install the assembled shade (C) onto the lamp holder (K – not included) and secure by installing the silicon washer (D) followed by the lamp holder ring (H- not included) back onto the lamp holder (K– not included).

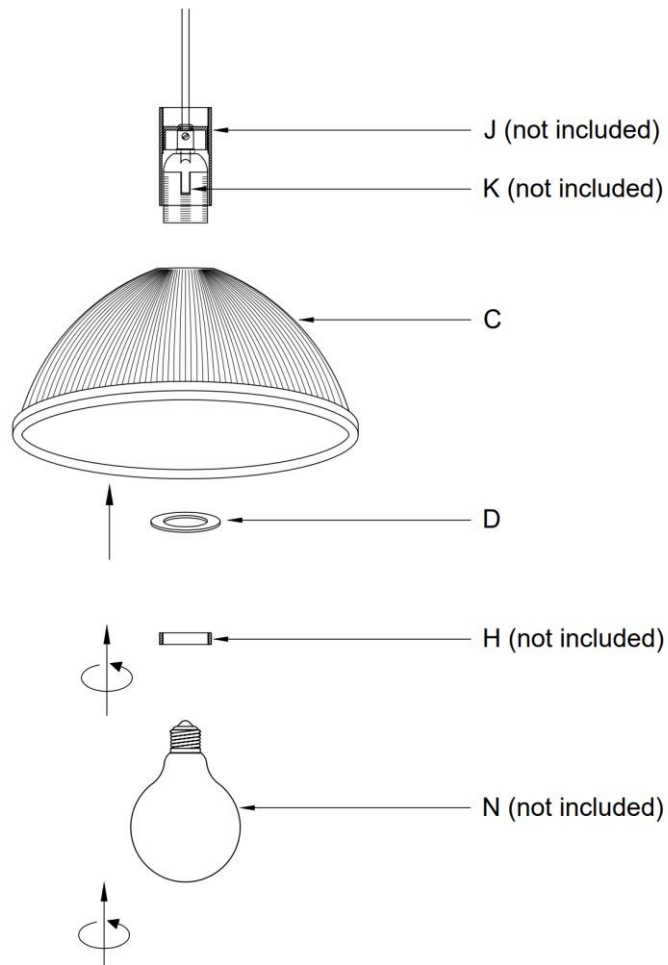
**NOTE: Ensure that the lamp holder ring (H– not included) is attached securely. Check that it has taken up at least 2-3 full threads.**

**NOTE: If the glass shade (C) is not fixed tightly by installing with one silicon washer(D), install the additional washer provided.**

4. Install a globe (N - not included) into the lamp holder (K– not included).

**NOTE: Do not exceed the 45W maximum globe rating after the installation of this DIY product.**

5. Check and ensure the product is fully assembled, and all parts are secure before turning on the power to the luminaire. Switch the power ON to test and enjoy your new lighting product.



## Installation Directions-For Lucci Create II Lamp Holder Hidden (Sold Separately)

Compatible pendants: Lucci Create II suspension (sold separately): SKU# 011444, 011445, 011446, 011447, 011448 & Lucci Create II finishing kit SKU 011466,011467, 011468, 011469 , 011470

**WARNING: Ensure power to the luminaire you are working on has been switched OFF before commencing the installation.**

1. Remove all packaging material from the product and be careful not to throw away accessories that may be hidden within the packaging material.
2. Remove the lamp holder ring (H- not included) and the lamp holder cover (J – not included) from the lamp holder (I – not included).
3. Thread the lamp holder ring (H – not included) back over lamp holder (K – not included) and move the lamp holder ring (H- not included) to the threaded component above the lamp holder (M – not included).
4. Install the assembled shade (C) onto the lamp holder (K – not included) and secure by installing the silicon washer (D) followed by the lamp holder cover (J - not included) back onto the lamp holder (K – not included).

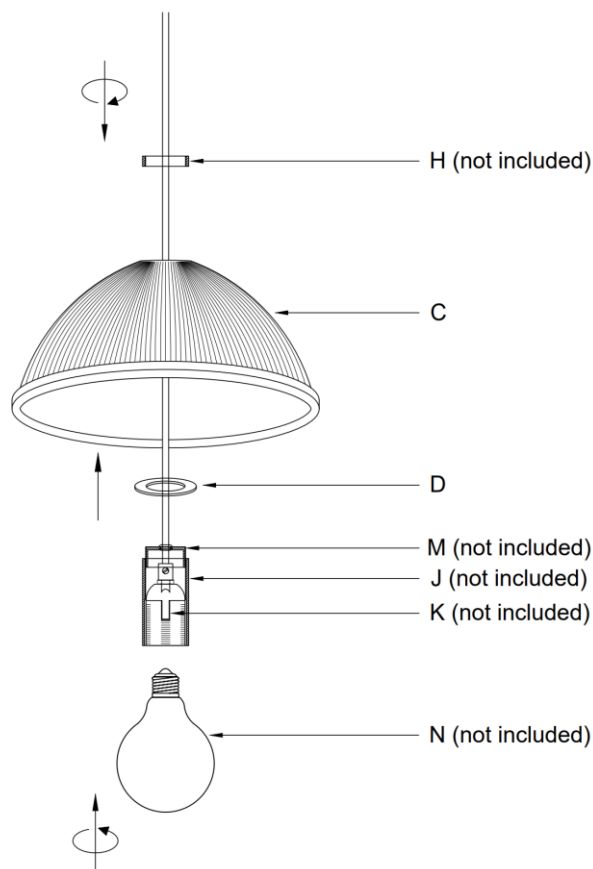
**NOTE: Ensure that the lamp holder ring (H- not included) is attached securely. Check that it has taken up at least 2-3 full threads.**

**NOTE: If the glass shade(C) is not fixed tightly by installing with one silicon washer (D), use additional washer provided.**

5. Install a globe (N - not included) into the lamp holder (K – not included).

**NOTE: Do not exceed the 45W maximum globe rating after the installation of this DIY product.**

6. Check and ensure the product is fully assembled, and all parts are secure before turning on the power to the batten holder. Switch the power ON to test and enjoy your new lighting product.



## Installation Directions-For Lucci Darly (Sold Separately)

Compatible pendants: Lucci Darly (sold separately): SKU# 099073, 099074

**WARNING: Ensure power to the luminaire you are working on has been switched OFF before commencing the installation.**

1. Remove all packaging material from the product and be careful not to throw away accessories that may be hidden within the packaging material.
2. Remove the skirt (F – not included) from the lamp holder (Q – not included).
3. Install the assembled shade (C) onto the lamp holder (Q – not included) followed by the silicon washer (D), skirt cover (E) and the skirt (F – not included) back onto the lamp holder (Q – not included) to secure everything together.

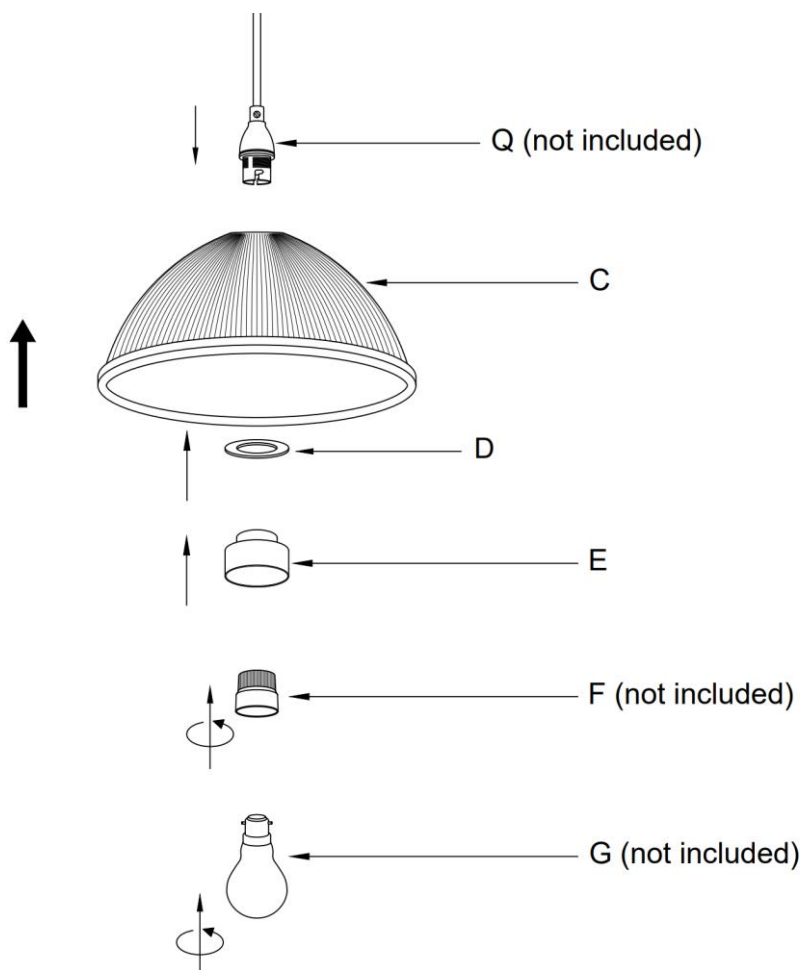
**NOTE: Ensure that the skirt (F – not included) is attached securely. Check that it has taken up at least 2-3 full threads while attaching the skirt (F – not included) to the lamp holder (Q – not included).**

**NOTE: If the glass shade(C) is not fixed tightly by installing with one silicon washer (D), use additional washer provided.**

4. Install a globe (G - not included) into the lamp holder (Q – not included).

**NOTE: Do not exceed the 45W maximum globe rating after the installation of this DIY product.**

5. Check and ensure the product is fully assembled, and all parts are secure before turning on the power to the luminaire. Switch the power ON to test and enjoy your new lighting product.



## Safety Tips

- Always ensure the power is OFF and the product has cooled down before performing any maintenance, cleaning, changing the globe or adjustment to the product.
- Do not touch the globe with bare hands. Use a clean cloth, gloves or a tissue.
- To avoid injury or damage to the product, ensure that power leads and screws are secure before connecting the power.
- Select a suitable location away from liquids and hazards.
- Ensure that the product does not come in contact with corrosive chemicals, etc.
- To clean, wipe with a damp clean cloth. Never soak the product with water.

## Specifications

SKU #	099040	099042	099043	099943
Colour	Chrome / Clear Glass Shade	Black/ Clear Glass Shade	Oil Rubbed Bronze/ Clear Glass Shade	Aged Brass/ Clear Glass Shade
Globe Wattage	45W Max. (After the installation of this DIY product)			
Lamp Holder	BC/B22 - Installation onto existing batten holder (not included)			
Weight	1.2 kg			
Dimensions	H:180mm Dia:300mm			