

## PALAIS 1 LIGHT BATTEN FIX

SKU# 099380, 099381,099382

DIY (Installation onto existing batten holder)

Thank you for purchasing this quality Lucci product. To ensure correct function and safety, please read and follow all instructions carefully before assembly, installation, and use of this luminaire. Please keep instructions for future reference.

### Warranty

- This luminaire is covered by a 12-month warranty valid for in-store replacement or refund only.
- The warranty period starts from the date of purchase. Please retain the proof of purchase.
- Warranty will be void if there is any damage due to improper usage or modification to the luminaire. Failure to comply with the instructions in this manual may increase the risk of damage or injury and will void the warranty

### Installation Requirements

- This is a DIY (do it yourself) product. No electrical wiring connection or disconnection is required. The service of a licensed electrician is not required.
- This product is designed to be used with a batten holder (not included).
- The installation location must have an existing batten holder (not included) pre-installed. If you do not have a batten holder (not included), please contact a licensed electrician for installation.  
**NOTE: Ensure the existing batten holder is in good working condition, and the plastic has not become cracked, brittle or discoloured.**
- This product is suitable for indoor use only.
- Do not exceed the maximum globe wattage rating after the installation of this DIY product.
- Lay out all the components on a smooth surface and make sure no components are missing before assembling. If parts are missing, return the complete product to the place of purchase for inspection or replacement.
- Check whether the luminaire has been damaged during transport. Do not operate/install any product which appears damaged in any way. Return the complete product to the place of purchase for inspection, repair or replacement.

**NOTE: There are 3 different installation directions in this instruction manual:**

**1<sup>st</sup> installation method: For batten holder only - refer to page 2**

**2<sup>nd</sup> installation method: For Lucci Create II (sold separately): SKU# 011444, 011445, 011446,**

**011447, 011448 & Lucci Create II finishing kit SKU 011466,011467, 011468, 011469, 011470- refer to page 3**

**3<sup>rd</sup> installation method: For Lucci Darly (sold separately): SKU# 099073, 099074- refer to page 4**

## Installation Directions – For batten holder only

**WARNING: Ensure power to the batten holder you are working on has been switched OFF before commencing the installation.**

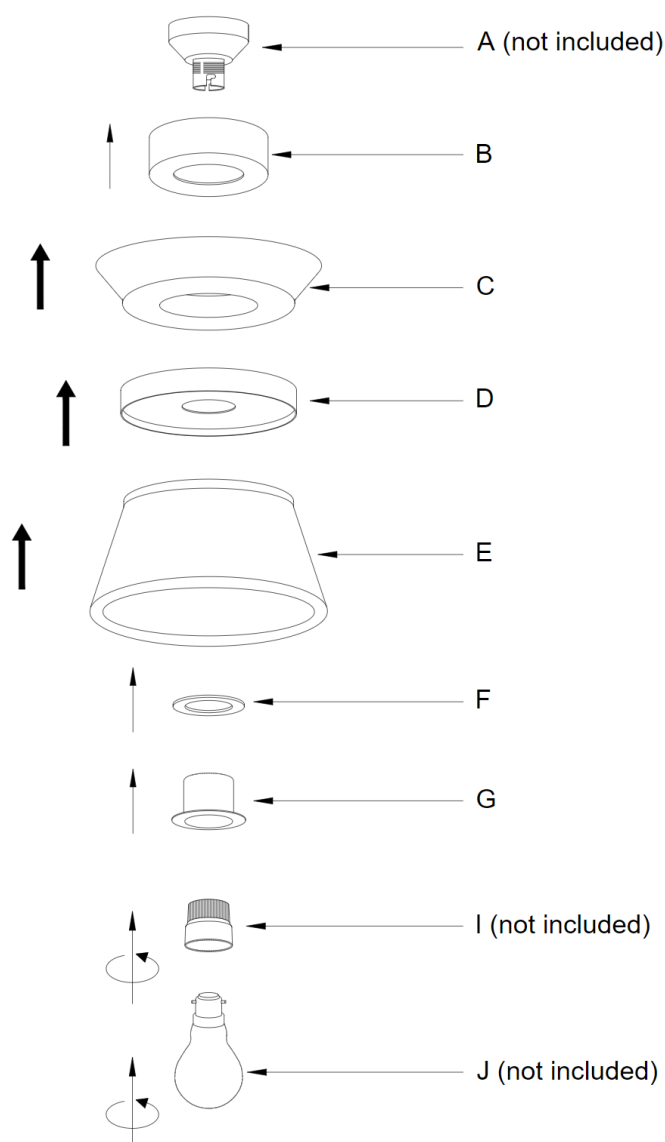
1. Remove all packaging material from the product and be careful not to throw away accessories that may be hidden within the packaging material.
2. Remove the skirt (I – not included) from the existing batten holder (A – not included).
3. Install the batten cover (B) over the batten holder (A – not included) followed by the glass batten cover (C), decorative plate (D), glass shade (E), rubber ring (F), shade bracket (G) and then install the skirt (I – not included) back onto the batten holder (A – not included) to secure everything together.

**NOTE: Ensure that the skirt (I – not included) is attached securely. Check that it has taken up at least 2-3 full threads while attaching the skirt (I – not included) to the batten holder (A – not included).**

4. Install a globe (J - not included) into the batten holder (A – not included).

**NOTE: Do not exceed the 45W maximum globe rating after the installation of this DIY product.**

5. Check and ensure the product is fully assembled, and all parts are secure before turning on the power to the batten holder. Switch the power ON to test and enjoy your new lighting product.



## Installation Directions – For Lucci Create II (Sold Separately)

Compatible pendants: Lucci Create II (sold separately): SKU# 011444, 011445, 011446, 011447, 011448 & Lucci Create II finishing kit SKU 011466,011467, 011468, 011469 , 011470

**WARNING: Ensure power to the luminaire you are working on has been switched OFF before commencing the installation.**

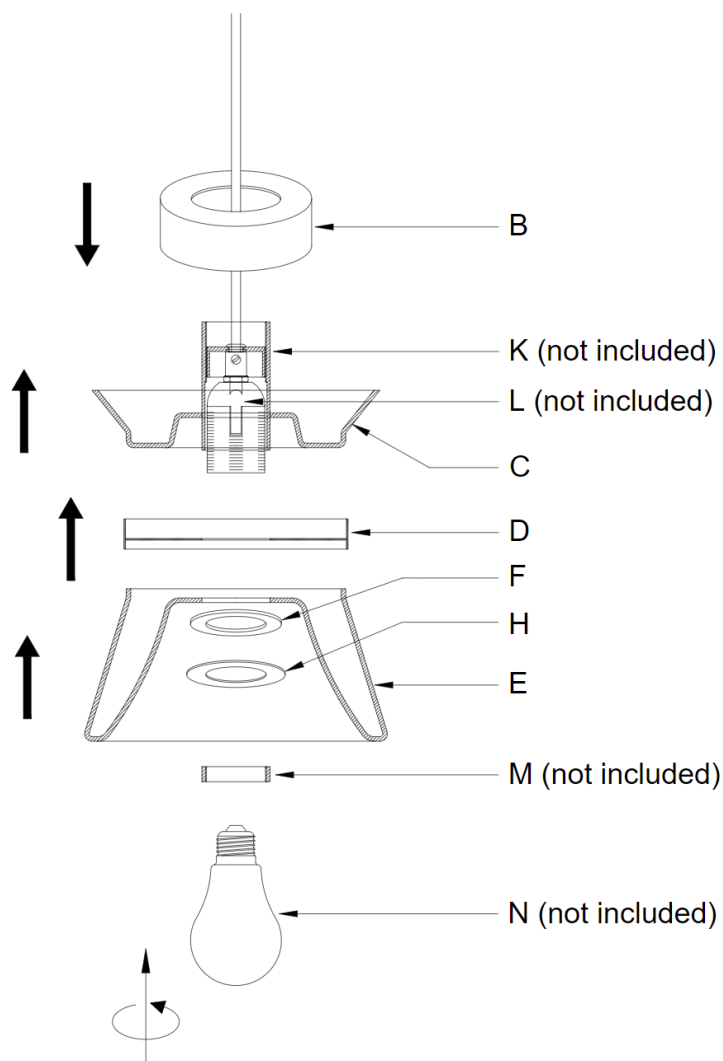
1. Remove all packaging material from the product and be careful not to throw away accessories that may be hidden within the packaging material.
2. Remove the lamp holder ring (M – not included) from the lamp holder (L – not included).
3. Install the batten cover (B) over the lamp holder (L– not included) followed by the glass batten cover (C), decorative cover (D), glass shade (E), rubber ring (F), metal ring (H), and then install the lamp holder ring (M – not included) back onto the lamp holder (L – not included) to secure everything together.

**NOTE: Ensure that the lamp holder ring (M – not included) is attached securely. Check that it has taken up at least 2-3 full threads.**

4. Install a globe (N - not included) into the lamp holder (L– not included).

**NOTE: Do not exceed the 45W maximum globe rating after the installation of this DIY product.**

5. Check and ensure the product is fully assembled, and all parts are secure before turning on the power to the batten holder. Switch the power ON to test and enjoy your new lighting product.



## Installation Directions – For Lucci Darly (Sold Separately)

Compatible pendants: Lucci Darly (sold separately): SKU# 099073, 099074

**WARNING: Ensure power to the luminaire you are working on has been switched OFF before commencing the installation.**

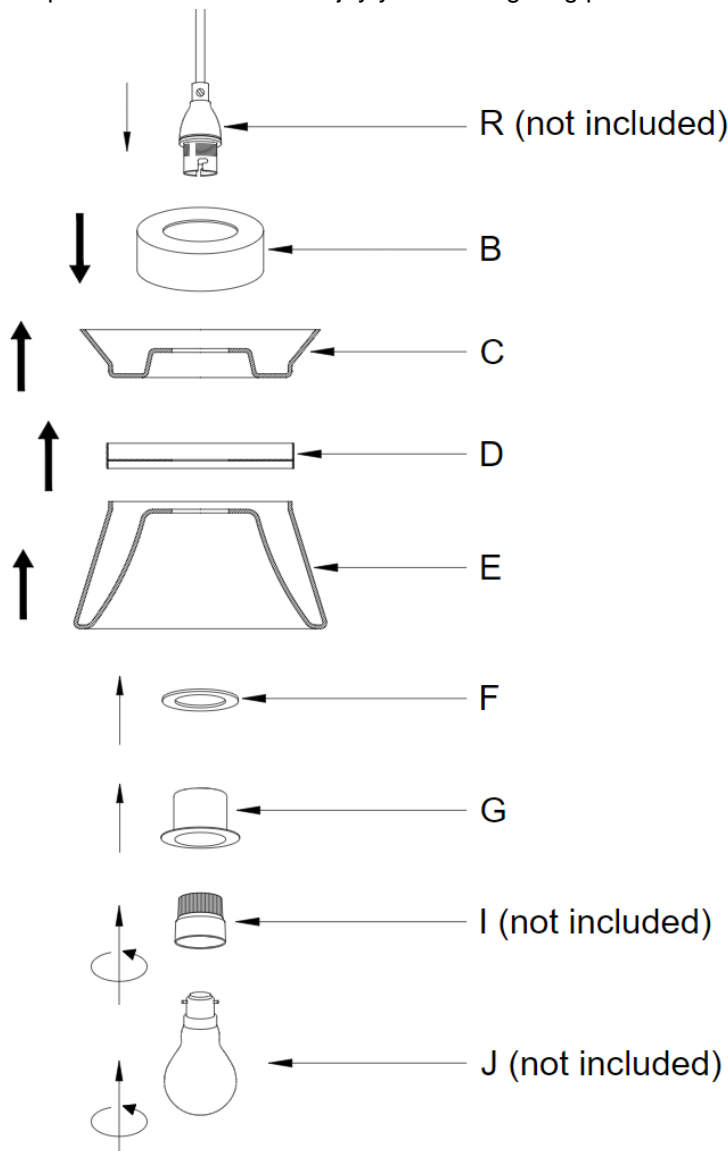
1. Remove all packaging material from the product and be careful not to throw away accessories that may be hidden within the packaging material.
2. Remove the skirt (I – not included) from the lamp holder (R – not included).
3. Install the batten cover (B) over the lamp holder (R – not included) followed by the glass batten cover (C), decorative plate (D), glass shade (E), rubber ring (F) shade bracket (G) and then install the skirt (I – not included) back onto the lamp holder (R – not included) to secure everything together.

**NOTE: Ensure that the skirt (I – not included) is attached securely. Check that it has taken up at least 2-3 full threads while attaching the skirt (I – not included) to the lamp holder (R – not included).**

4. Install a globe (J - not included) into the lamp holder (R– not included).

**NOTE: Do not exceed the 45W maximum globe rating after the installation of this DIY product.**

5. Check and ensure the product is fully assembled, and all parts are secure before turning on the power to the batten holder. Switch the power ON to test and enjoy your new lighting product.



## Safety Tips

- Always ensure the power is OFF and the product has cooled down before performing any maintenance, cleaning, changing the globe or adjustment to the product.
- Do not touch the globe with bare hands. Use a clean cloth, gloves or a tissue.
- To avoid injury or damage to the product, ensure that power leads and screws are secure before connecting the power.
- Select a suitable location away from liquids and hazards.
- Ensure that the product does not come in contact with corrosive chemicals, etc.
- To clean, wipe with a damp clean cloth. Never soak the product with water.

## Specifications

SKU #	099380	099381	099382
Colour	Brass Finish	Black	White
Rated Wattage	45W Max. (After the installation of this DIY product)		
Weight	1.7kg		
Dimensions	H:145mm Dia:200mm		