

DRIVER BOX

SKU# 140785

Rated Voltage 220-240V~ 50Hz

To ensure correct function and safety, please read and follow all instructions carefully before assembly, installation and use of this product. Please keep instructions for future reference.

NOTE: This installation instruction applies to the driver box only.

The ribbon track, driver and luminaires are sold separately.

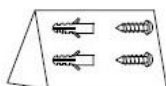
Warranty

- This product is covered by a 12-month warranty. The warranty is from date of purchase, not the date of installation.
- If the product is not assembled and installed by a licensed electrician, the warranty will be void.
- Please retain the proof of purchase and evidence of installation by a licensed electrician for any warranty enquiries.
- Warranty will be void if there is any damage due to improper usage or modification to the product.
- Failure to comply with the instructions in this manual may increase the risk of damage or injury and will void the warranty.

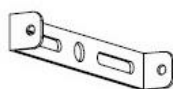
Installation Requirements

- This product must be assembled and installed by a licensed electrician.
- All wiring and installation of the product must adhere to the latest local and national wiring rules. e.g. AS/NZS 3000 Electrical Installations.
- The is a Class I product and must be earthed during wiring and installation.
- Select a suitable location for installation:
 - This product is suitable for indoor use only.
 - The mounting point must support 2 times the weight of the product.
 - If installing the product in an area prone to moisture, ensure that the area is well ventilated and an appropriately rated exhaust fan is used if required. Damage or corrosion caused by moisture is not a product fault, and as such is not covered under warranty.
 - It is the user's responsibility to ensure electrical, mechanical and thermal compatibility between the ribbon track system and luminaires attached to it.
- Lay out all the components on a smooth surface and make sure no components are missing before assembling. If parts are missing, return the complete product to the place of purchase for inspection or replacement.
- Check whether the product has been damaged during transport. Do not operate/install any product which appears damaged in any way. Return the complete product to the place of purchase for inspection, repair or replacement.

INCLUDED PARTS:



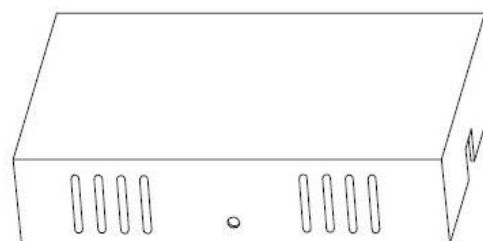
Mounting bracket
screw bag x1



Mounting bracket x 1



Driver Box Screws M4*10 x2



Driver Box x1

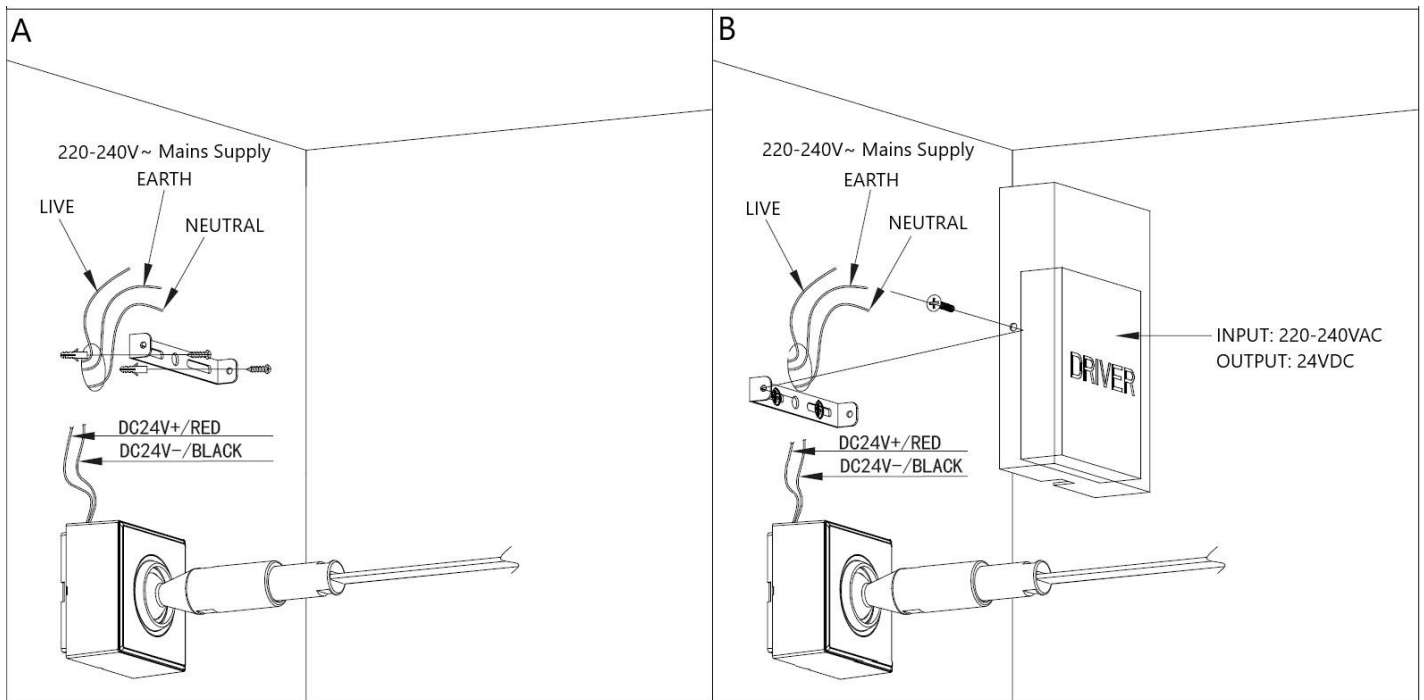
Installation Directions

WARNING: Ensure power to the circuit you are working on has been switched OFF before commencing any electrical work.

1. Remove all packaging material from the product and be careful not to throw away accessories that may be hidden within the packaging material.
2. The driver box must be positioned next to the ribbon track live end mounting bracket. (Fig. A)
3. Use the mounting bracket as a template to make the screw hole positions on the mounting surface. (Fig. A)
4. Drill the installation holes onto the mounting surface.
5. Install the mounting bracket onto the mounting surface by using appropriately sized mounting screws and anchors. Ensure the screws and anchors used are suitable for the mounting surface and the surrounding environment. (Fig. A)
6. Connection the mains supply wire to the input end of the driver (not included).
7. Connect the mains earth to the earthing point on the inside of the driver box.

NOTE: This is a Class I product and must be earthed during wiring and installation.

8. Connect the ribbon track wires (not included) to the output end of the driver (not included).
9. Ensure all wires are secure and no bare wires are exposed.
10. Install the driver box onto the mounting bracket and secure by tightening the screws on the side. (Fig. B)
11. After the installation is complete, check and ensure everything is secure and there are no loose components.



Safety Tips

- Always ensure the power is OFF and the product has cooled down before performing any maintenance, cleaning or adjustment.
- To avoid injury or damage to the product, ensure that power leads and screws are secure before connecting the power.
- To clean, wipe with a soft damp cloth. Do NOT soak or immerse the product in water or other liquids.
- Ensure that the product does not come in contact with corrosive chemicals/solvents or abrasive cleaners etc.

Specifications

SKU #	140785
Rated Voltage	220-240V~ 50Hz
Weight	0.6kg
Dimensions	H:60mm W:85mm L:250mm