

MFL SCRIPT TRACK HEAD

SKU# 147070, 147071, 147072

Rated Voltage 220-240V~ 50Hz

Thank you for purchasing this quality Lucci product. To ensure correct function and safety, please read and follow all instructions carefully before assembly, installation and use of this product. Please keep instructions for future reference.

NOTE: This installation instruction applies to the luminaire only.

When working with 240V, a licensed electrician is required.

Lucci track kit (SKU# 140020, 140022, 140057, 140058) and globe are sold separately.

Warranty

- This luminaire is covered by a 12-month warranty. The warranty is from the date of purchase, not the date of installation.
- Warranty will be void if there is any damage due to improper usage or modification to the luminaire.
- Failure to comply with the instructions in this manual may increase the risk of damage or injury and will void the warranty.
- The warranty is subject to the luminaire being used with the Lucci track kit (sold separately).

Installation Requirements

- Before installation, ensure the installation location has the Lucci track kit (sold separately) pre-installed on the ceiling. Please contact a licensed electrician to arrange the installation of the track kit.
- Select a suitable location for installation:
 - This luminaire is suitable for indoor use only.
 - The mounting point must support 2 times the weight of the luminaire.
 - Ensure the luminaire is not installed in the direct line of an air vent/system.
 - If installing a luminaire in an area prone to moisture, ensure that the area is well ventilated and an appropriately rated exhaust fan is used if required. Damage or corrosion caused by moisture is not a product fault, and as such is not covered under warranty.
- **Do not exceed the maximum wattage rating. The luminaire is only suitable for LED globes.**
- Take care not to pull any electrical wires during unpacking as this may damage the connection.
- Lay out all the components on a smooth surface and make sure no components are missing before assembling. If parts are missing, return the complete product to the place of purchase for inspection or replacement.
- Check whether the fitting has been damaged during transport. Do not operate/install any product which appears damaged in any way. Return the complete product to the place of purchase for inspection, repair or replacement.
- Ensure power to the circuit you are working on has been switched OFF before commencing any electrical work.

Installation Directions

Remove all packaging material from the product and be careful not to throw away accessories that may be hidden within the packaging material.

1. Use a screw driver to loose the screws (D) of the adjustment rail (B).

NOTE: Decide the height of the lampholder according to the shades intended to be installed. The luminaire is only compatible to the following MFL SCRIPT shades and decorative handles (Sold separately).

SKU#147075, 147076, 147077 (MFL SCRIPT SHORT CYLINDER SHADE – Height 100mm) (E)

SKU# 147078, 147079, 147080 (MFL SCRIPT TALL CYLINDER SHADE – Height 142mm) (F)

SKU# 147081, 147082, 147083 (MFL SCRIPT TAPERED CYLINDER SHADE – Height 101mm) (G)

SKU# 147084, 147085, 147086, 147087 (MFL SCRIPT DECORATIC HANDLE) (H)

Installation Instructions

2. Adjust the height of the lampholder via the adjustable rail (B). Ensure the screw (D) is tighten after adjustment.
3. Install a GU10 globe (C-Not included) onto the lamp holder.
4. Install the decorative handle (H) onto the luminaire if needed.
5. Install the lamp shade (E/F/G) onto the luminaire.

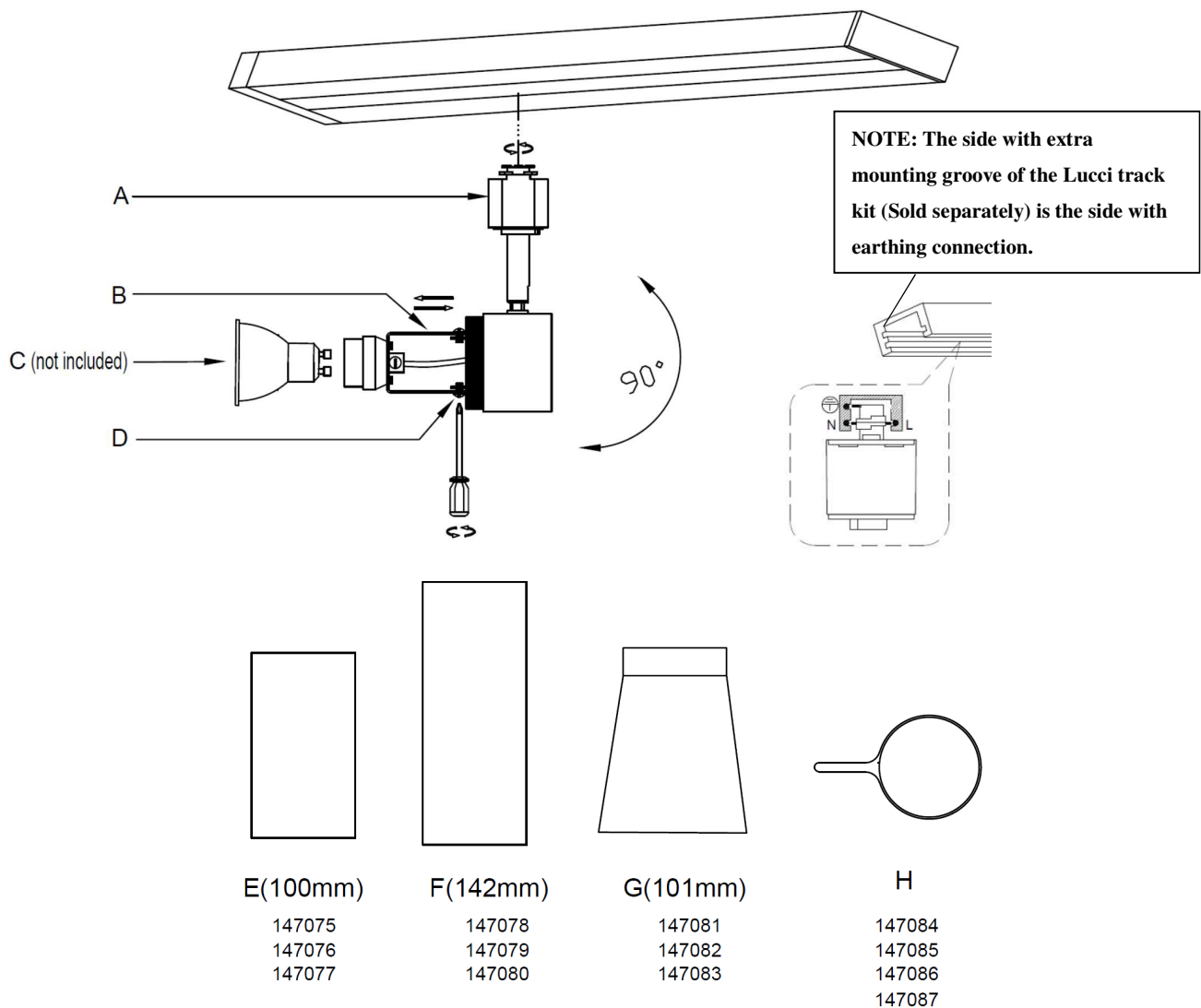
NOTE: Lamp shades MUST BE installed before turning on the power.

6. Locate the side with the earth pin on the track adaptor (A). Check the Lucci track kit (Sold separately) and locate the side which has the extra groove. The side with the extra groove is the side with the earth connection. Ensure the earth pin is installed into the side of the Lucci track kit which has the extra groove.

7. Install the luminaire by twisting and locking it into the Lucci track kit.
8. Adjust the light head to the required angle according to your needs.

NOTE: DO NOT adjust light head over 350° horizontally and 90° vertically which can damage the internal wires.

9. After the installation, switch on the luminaire to test and enjoy your new lighting product.



NOTE: DO NOT adjust light head over 350° horizontally and 90° vertically which can damage the internal wires.

Safety Tips

- **Always ensure the power is OFF and the luminaire has cooled down before performing the installation, maintenance, cleaning, making any adjustments to the luminaire.**
- **Ensure to take the luminaire off the track first before replacing globes, shades or decorative handle.**
- Do not touch the globe with bare hands. Use a clean cloth, gloves or a tissue.
- To avoid injury or damage to the luminaire, ensure that power leads and screws are secure before connecting the power.
- Select a suitable location away from liquids and hazards.
- To clean, wipe with a damp clean cloth. Do NOT soak or immerse the luminaire in water or other liquids.
- Ensure that the luminaire does not come in contact with corrosive chemicals/solvents or abrasive cleaners etc.

Specifications

SKU #	147070	147071	147072
Colour	Black	White	Brass
Rated Voltage	220-240V~ 50Hz		
Rated Wattage	10W MAX (LED globe only)		
Lamp Holder	GU10		
Compatible shades and decorative handles	SKU#147075, 147076, 147077 (MFL SCRIPT SHORT CYLINDER SHADE-Sold separately) SKU# 147078, 147079, 147080 (MFL SCRIPT TALL CYLINDER SHADE-Sold separately) SKU# 147081, 147082, 147083 (MFL SCRIPT TAPERED CYLINDER SHADE-Sold separately) SKU# 147084, 147085, 147086, 147087 (MFL SCRIPT DECORATIC HANDLE-Sold separately)		
Weight	0.2kg		
Dimensions	H:180mm W:120mm E:120mm Max		