

APOLO 180MM GX53 TRACK SPOT

SKU# 149050, 149051.

Rated Voltage 220-240V~ 50Hz

To ensure correct function and safety, please read and follow all instructions carefully before assembly, installation and use of this luminaire. Please keep instructions for future reference.

**NOTE: This installation instruction applies to the luminaire only.
The Lucci track systems and lamp are sold separately.
When working with 240V, a licensed electrician is required.**

Warranty

- This luminaire is covered by a 12-month warranty valid for in-store replacement or refund only.
- The warranty period starts from the date of purchase, not the date of installation.
- Please retain the proof of purchase for any warranty enquiries.
- The warranty will be void if there is any damage due to improper usage or modification to the luminaire.
- The warranty is subject to the luminaire being used with a Lucci track system (sold separately).
- Failure to comply with the instructions in this manual may increase the risk of damage or injury and will void the warranty.

Installation Requirements

- The installation location must have a Lucci track (sold separately) pre-installed on the ceiling.
If you do not have an existing Lucci track (sold separately) pre-installed on the ceiling, please contact a licensed electrician for installation.
- This luminaire is recommended to be used with the Lucci track II system (SKU# 149052, 149053, 149054, 149055).
This luminaire is also compatible with Lucci track I system (SKU# 140020, 140022, 140057, 140058).
- Select a suitable location for installation:
 - This luminaire is suitable for indoor use only.
 - The mounting point must support 2 times the weight of the luminaire.
 - Ensure the luminaire is not installed in direct line of an air vent/system.
 - If installing a luminaire in an area prone to moisture, ensure that the area is well ventilated, and an appropriately rated exhaust fan is used if required. Damage or corrosion caused by moisture is not a product fault, and as such is not covered under warranty.
- Do not exceed the maximum wattage rating.

NOTE: Compatible with GX53 lamps of 152mm diameter.

Lucci SKU# 121354 or 121359 GX53 lamps are recommended.

- Take care not to pull any electrical wires during unpacking as this may damage the connection.
- Lay out all the components on a smooth surface and make sure no components are missing before assembling.
If parts are missing, return the complete product to the place of purchase for inspection or replacement.
- Check whether the luminaire has been damaged during transport. Do not operate/install any product which appears damaged in any way. Return the complete product to the place of purchase for inspection, repair or replacement.

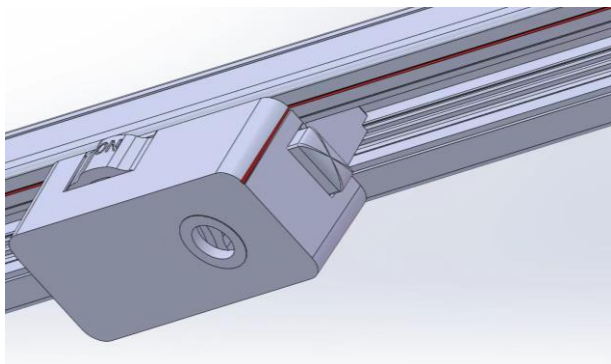
Installation Directions

WARNING: Ensure power to the circuit you are working on has been switched OFF before commencing the installation.

1. Remove all packaging material from the product and be careful not to throw away accessories that may be hidden within the packaging material.

NOTE: The installation location must have a Lucci track (sold separately) pre-installed on the ceiling. If you do not have an existing Lucci track (sold separately) pre-installed on the ceiling, please contact a licensed electrician for installation.

2. Look at the track adaptor and locate the side with the earth pin or the groove on the housing. Look at the Lucci track (sold separately) and locate the side which has the groove. Align the groove on the track adaptor with the groove on the Lucci track (sold separately) to ensure the luminaire is inserted in the correct direction. (refer to the picture below)



3. Check and ensure the lock on the track adaptor is in the "OFF" position. (Fig. A).
 4. Pull the head down to access the track adaptor. Do not pull the head down more than 90°. (Fig. B)
- NOTE: DO NOT pull the head down more than 90, as this may damage the knuckle joint and the internal wires.**

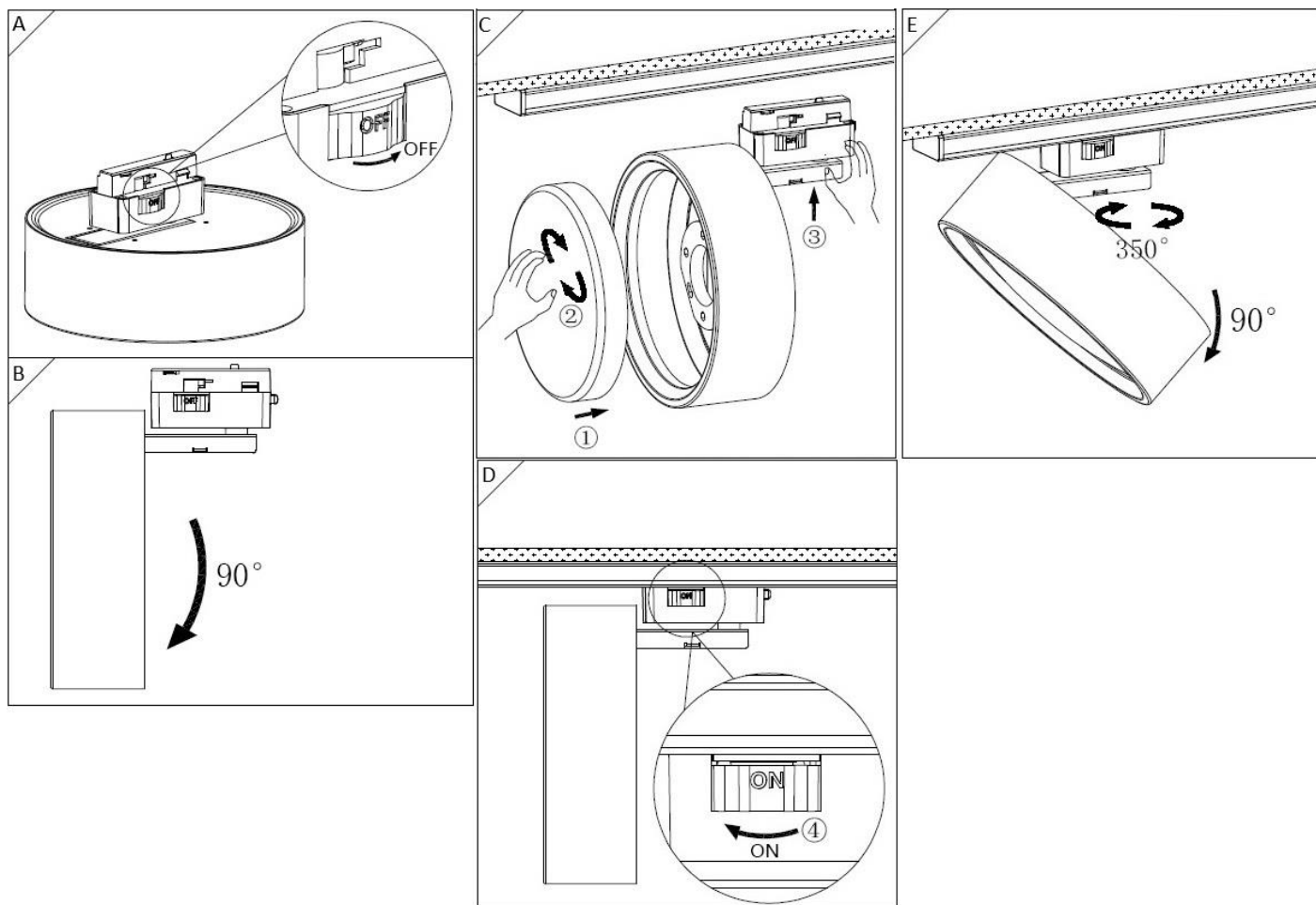
5. Install a GX53 lamp (not included) into the lamp holder. Do not exceed the maximum wattage rating. (Fig. C)

NOTE: Compatible with GX53 lamps of 120mm diameter. Lucci SKU# 121354 or 121359 GX53 lamps are recommended.

6. Push and hold down on the locking clip on the track adaptor. Insert the track adaptor into the Lucci track (sold separately) and secure it by twisting the lock on the track adaptor to the "ON" position. (Fig. D)
7. Hold onto the track adapter and adjust the head to your desired angle. (Fig. E)

NOTE: DO NOT adjust the head up or down more than 90° and DO NOT rotate the head more than 350°. As this may damage the knuckle joint and the internal wires.

8. After the installation, switch on the luminaire to test and enjoy your new lighting product.



Safety Tips

- Always ensure the power is OFF and the luminaire has cooled down before performing any maintenance, cleaning, changing the lamp or making any adjustment to the luminaire.
- To avoid injury or damage to the luminaire, ensure that power leads and screws are secure before connecting the power.
- Select a suitable location away from liquids and hazards.
- To clean, wipe with a soft damp cloth. Do NOT soak or immerse the luminaire in water or other liquids.
- Ensure that the luminaire does not come in contact with corrosive chemicals/solvents or abrasive cleaners etc.

Specifications		
SKU #	149050	149051
Colour	Texture White	Texture Black
Rated Voltage	220-240V~ 50Hz	
Rated Wattage	12W Max.*	
Lamp Holder	GX53 (Recommend using 152mm sized lamps)	
Weight	0.4kg	
Dimensions	H:210mm W:180mm E:175mm MAX	

***NOTE: Compatible with GX53 lamps of 152mm diameter.
Lucci SKU# 121354 or 121359 GX53 lamps are recommended.**