

## PANORAMA 3 & 6 Lights Spot Light

SKU# 150712, 150713, 150714, 150715

Rated Voltage 220-240V~ 50Hz

Thank you for purchasing this quality Lucci product. To ensure correct function and safety, please read and follow all instructions carefully before assembly, installation and use of this luminaire. Please keep instructions for future reference.

### Warranty

- This luminaire is covered by a 3-year warranty. The warranty is from the date of purchase, not the date of installation.
- If the luminaire is not assembled and installed by a licensed electrician the warranty will be void.
- Please retain the proof of purchase and evidence of installation by a licensed electrician for any warranty enquiries.
- Warranty will be void if there is any damage due to improper usage or modification to the luminaire.
- Failure to comply with the instructions in this manual may increase the risk of damage or injury and will void the warranty.
- The use of non-compatible dimmers may damage your LED luminaire and will void the warranty.

### Installation Requirements

- Must be assembled and installed by a licensed electrician.
- All wiring and installation of the luminaire must adhere to the latest local and national wiring rules. eg. AS/NZS 3000 Electrical installations.
- This luminaire is a Class I product and must be earthed during wiring and installation.
- Select a suitable location for installation:
  - This luminaire is suitable for indoor use only.
  - The mounting point must support 2 times the weight of the luminaire.
  - Ensure the luminaire is not installed in the direct line of an air vent/system.
  - If installing a luminaire in an area prone to moisture, ensure that the area is well ventilated and an appropriately rated exhaust fan is used if required. Damage or corrosion caused by moisture is not a product fault, and as such is not covered under warranty.
- This luminaire is dimmable and has been tested at the date of publication with the dimmers listed in the specification section. The use of a LED dimmer such as the Lucci LEDlux SKU# 290998, SKU# 290997, SKU# 299043 dimmer is highly recommended.

**NOTE:** For the best dimming range, use the Lucci LEDlux SKU# 290998 dimmer and adjust the variable resistor at the minimum and maximum dimming positions on the dimmer during the installation.

**NOTE:** Dimming may cause buzzing sounds or a slight flicker. There may be slight delays with the LED luminaire start-up or slight uneven light performance when more than one LED luminaire is linked together, switched ON or dimmed. This is not a product fault and as such is not covered under warranty.

**NOTE:** Some dimmers have a minimum load of 20W. Ensure the dimmer position is on the maximum setting before turning on the luminaire and adjust the dimmer down to your desired light level.


**NOTE:** Testing cannot account for installation variables such as variation in mains supply voltage, cable capacitance, electrical noise, transients, surges and ripple control signals (commonly found in NSW & QLD).
- **NOTE:** The information provided is correct to the best of Beacon Lighting's knowledge at the date of publication.
- Take care not to pull any electrical wires during unpacking as this may damage the connection.
- Lay out all the components on a smooth surface and make sure no components are missing before assembling. If parts are missing, return the complete product to the place of purchase for inspection or replacement.
- Check whether the luminaire has been damaged during transport. Do not operate/install any product which appears damaged in any way. Return the complete product to the place of purchase for inspection, repair or replacement.
- Ensure power to the circuit you are working on has been switched OFF before commencing any electrical work.

## Installation Directions


### Installation method I – Surface mounted (Figure 1)

1. Remove all packaging material from the product and be careful not to throw away accessories that may be hidden within the packaging material. If assembly is required, place the luminaire on a smooth non-scratch surface.
2. Remove the mounting bracket from the luminaire by loosening the screws on both sides.
3. Use the mounting bracket as a template to mark the screw positions onto the ceiling and drill the holes.
4. Install the mounting bracket onto the ceiling by using appropriately sized mounting screws and anchors. Ensure the screws and anchors used are suitable for the mounting surface and the surrounding environment.
5. Connect the mains supply wire to the terminal block.

#### **Mains Supply Wire**

Earth – Yellow/Green   
 Neutral – Blue or Black  
 Live – Brown or Red

#### **Luminaire Wire / Terminal Block**

Yellow/Green   
 Blue or N  
 Brown or L

**NOTE: Ensure the wires are secure and no bare wires are exposed.**

6. Install the luminaire back onto the mounting bracket and secure it by tightening the screws.

**NOTE: Take care to not damage any of the wirings by neatly placing them inside the back of the luminaire.**

8. Adjust the spotlight to your desired position.

**NOTE: Do not bend the spotlight up and down more than 90° and do not rotate the spotlight more than 330° as this may damage the knuckle joint or damage the internal wiring.**

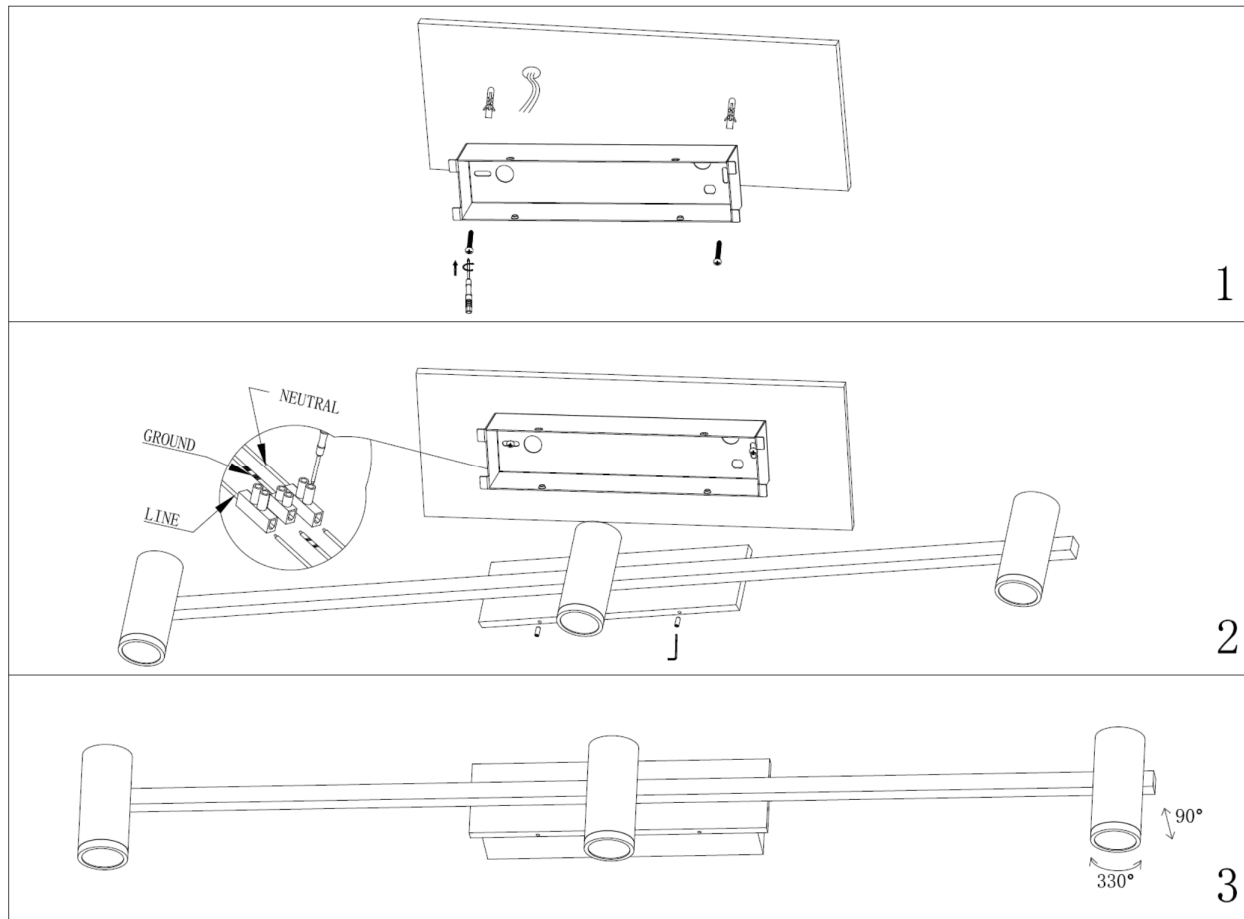
9. Switch on the luminaire to test all the lighting functions and enjoy your new lighting product.

### This product has a colour switching function (3000K - 5000K - 4000K):

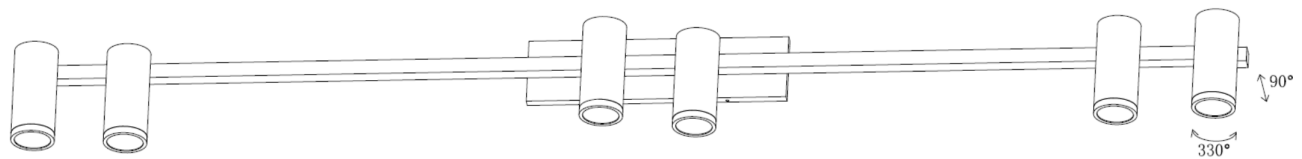
**NOTE: If the luminaire is installed with a dimmer, it is recommended to turn the dimmer to the highest position before adjusting the colour temperature as below.**

- Turn on the luminaire for the first time; the luminaire will switch to colour temperature 3000K.
- Turn off the luminaire, then turn it on again within 3 seconds; the luminaire will switch to colour temperature 5000K.
- Turn off the luminaire, then turn it on again within 3 seconds; the luminaire will switch to colour temperature 4000K.
- If the luminaire is turned off for more than 7 seconds, it will keep the same colour temperature as it was last on.
- The colour temperature will reset to 3000K if the switch is turn on/off quickly twice within 1 second.

**Figure 1**  
**Installation method I – Surface mounted**



3-light model, SKU# 150714, 150715




6-light model, SKU# 150714, 150715

**NOTE:** Do not bend the spotlight up and down more than 90° and do not rotate the spotlight more than 330° as this may damage the knuckle joint or damage the internal wiring.

## **Installation method II – Recessed mounted (Figure 2)**

1. Remove all packaging material from the product and be careful not to throw away accessories that may be hidden within the packaging material. If assembly is required, place the luminaire on a smooth non-scratch surface.
2. Remove the mounting bracket from the luminaire by loosening the screws on both sides.
3. Cut an installation hole of 250mm x 60mm into the ceiling.
4. Push the mounting bracket into the cut-out hole. Use the screwdriver to turn the two locking ears to the side.
5. Connect the mains supply wire to the terminal block.

### **Mains Supply Wire**

Earth – Yellow/Green 

Neutral – Blue or Black

Live – Brown or Red

### **Luminaire Wire / Terminal Block**

Yellow/Green 

Blue or N

Brown or L

**NOTE: Ensure the wires are secure and no bare wires are exposed.**

6. Install the luminaire back onto the mounting bracket and secure it by tightening the screws.

**NOTE: Take care to not damage any of the wirings by neatly placing them inside the back of the luminaire.**

10. Adjust the spotlight to your desired position.

**NOTE: Do not bend the spotlight up and down more than 90° and do not rotate the spotlight more than 330° as this may damage the knuckle joint or damage the internal wiring.**

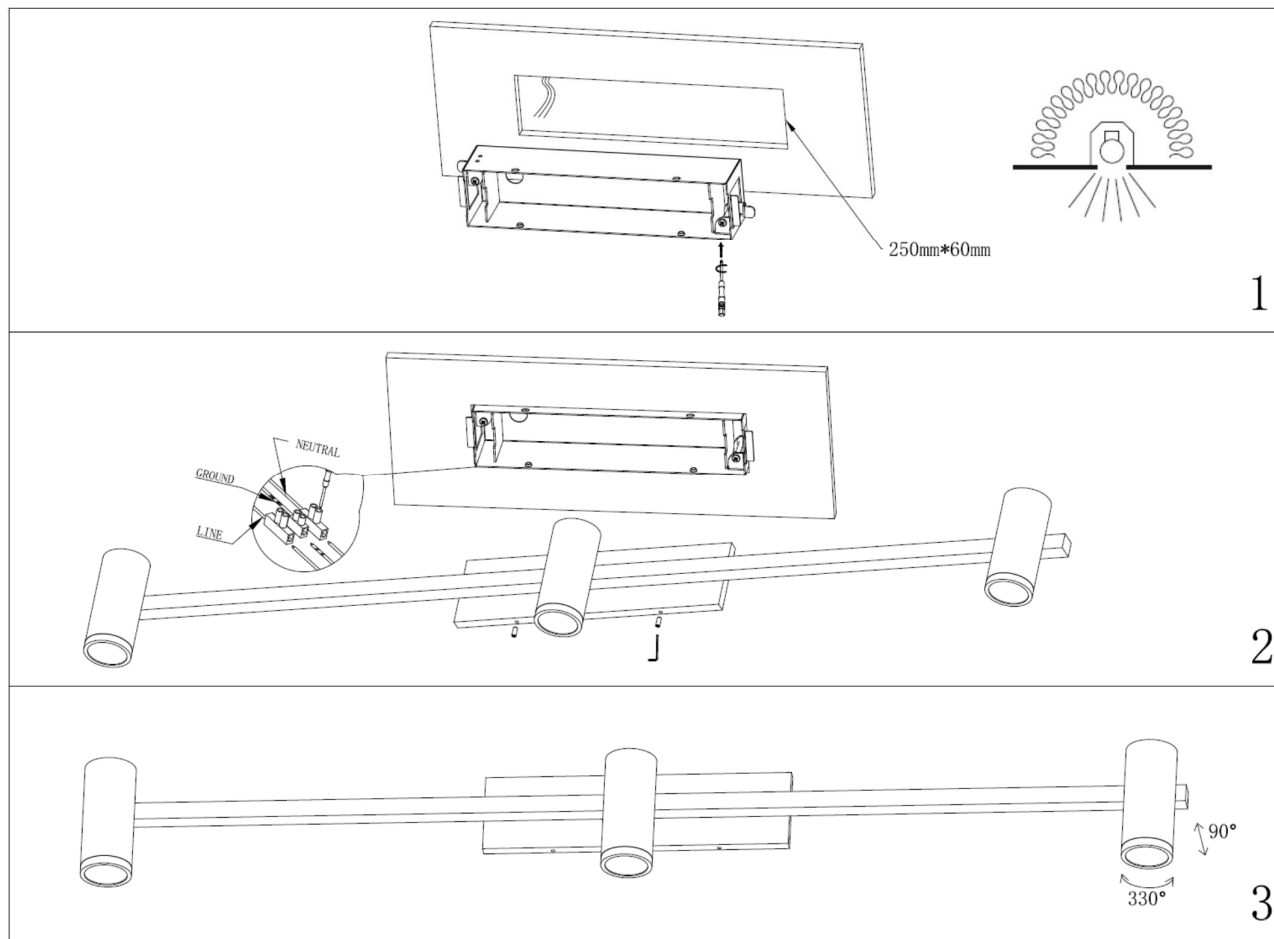
11. Switch on the luminaire to test all the lighting functions and enjoy your new lighting product.

### **This product has a colour switching function (3000K - 5000K - 4000K):**

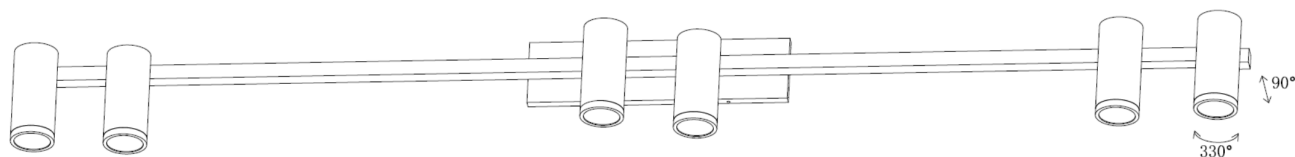
**NOTE: If the luminaire is installed with a dimmer, it is recommended to turn the dimmer to the highest position before adjusting the colour temperature as below.**

- Turn on the luminaire for the first time; the luminaire will switch to colour temperature 3000K.
- Turn off the luminaire, then turn it on again within 3 seconds; the luminaire will switch to colour temperature 5000K.
- Turn off the luminaire, then turn it on again within 3 seconds; the luminaire will switch to colour temperature 4000K.
- If the luminaire is turned off for more than 7 seconds, it will keep the same colour temperature as it was last on.
- The colour temperature will reset to 3000K if the switch is turn on/off quickly twice within 1 second.

**Figure 2**  
**Installation method II – Recessed mounted**



3-light model, SKU# 150714, 150715



6-light model, SKU# 150714, 150715

NOTE: Do not bend the spotlight up and down more than 90° and do not rotate the spotlight more than 330° as this may damage the knuckle joint or damage the internal wiring.

NOTE: Insulation can be covered and abutted against the recessed luminaire as per the IC requirement. The recessed luminaire can be abutted to any structural members, building elements or objects.

Troubleshooting		
PROBLEM	POSSIBLE CAUSE	SUGGESTED SOLUTION
Does not work. (New installation)	Loose wiring or no power to the LED luminaire.	Check your circuit breaker/safety switch box and turn on the power to your circuit.
		Contact the installing licensed electrician to check if the luminaire has been installed correctly.
Does not work. (Existing installation)	No power to the LED luminaire.	Check your circuit breaker/safety switch box and turn on the power to your circuit.
		Contact your nearest Beacon Lighting store.
Flickers when dimming. (New installation)	Non-compatible dimmer used.	Check the dimmer used. Ensure the dimmer used is on the list of compatible dimmers in this manual.
	Some dimmers have a variable loading adjustment function. E.g. Lucci LEDlux SKU# 290998 dimmer. This may not have been adjusted during the installation of the dimmer.	The variable resistor needs to be adjusted to suit the LED luminaire load to reduce the flickering.
Flickers when dimming. (Existing installation)	Dimmer position on low.	Ensure the dimmer position is on the maximum setting before turning on the LED luminaire and adjust the dimmer down to your desired light level.
Buzzing sound.	Non-compatible dimmer used.	Check the dimmer used. Ensure the dimmer used is on the list of compatible dimmers in this manual.
Uneven light start-up.	Dimmer position on low when switched on.	Ensure the dimmer position is on the maximum setting before turning on the LED luminaire and adjust the dimmer down to your desired light level.

## Safety Tips

- Always ensure the power is OFF and the luminaire has cooled down before performing any maintenance, cleaning or making any adjustment to the luminaire.
- To avoid injury or damage to the luminaire, ensure that power leads and screws are secure before connecting the power.
- The light source of this luminaire is not replaceable; when the light source reaches its end of life the whole luminaire shall be replaced. There are no serviceable parts, do not attempt to dismantle or open the luminaire.
- Select a suitable location away from liquids and hazards.
- To clean, wipe with a soft damp clean cloth. Do NOT soak or immerse the luminaire in water or other liquids.
- Ensure that the luminaire does not come in contact with corrosive chemicals/solvents or abrasive cleaners etc.

Specifications				
SKU #	150712	150713	150714	150715
Colour	Black	White	Black	White
Lights	3 Lights		6 Lights	
Rated Voltage	220-240V~ 50Hz			
Rated Wattage	32W		60W	
Insulation Class	Class I			
LEDs	3000K – 5000K – 4000K 2000 lumens, CRI >90, dimmable		3000K – 5000K – 4000K 4000 lumens, CRI >90, dimmable	
Dimmer Information	Highly Recommended Dimmers	Lucci LEDlux SKU# 290998, SKU# 290997, SKU# 299043		
	Compatible Dimmers	B&P DIM-002; DIGINET LED Smart MEDM; Clipsal 31E2RUDM, 32E450TM, 32E450UDM, 31E2PUDM and 32ELEDM; HPM Cat.400T		
Weight	1.9kg		2.6kg	
Dimensions	H:160mm W:1100mm E:165mm		H:160mm W:1600mm E:165mm	