

PANORAMA 3 LIGHT/6 LIGHT BAR SPOTLIGHT

SKU# 150712, 150713, 150714, 150715

Rated Voltage 220-240V~ 50Hz

To ensure correct function and safety, please read and follow all instructions carefully before assembly, installation and use of this product. Please keep instructions for future reference.

Warranty

- This luminaire is covered by a 3-year warranty. The warranty is from date of purchase, not the date of installation.
- If the luminaire is not assembled and installed by a licensed electrician, the warranty will be void.
- Please retain the proof of purchase and evidence of installation by a licensed electrician for any warranty enquiries.
- Warranty will be void if there is any damage due to improper usage or modification to the luminaire.
- Failure to comply with instructions in this manual may increase risk of damage or injury and will void the warranty.

Installation Requirements

- Must be assembled and installed by a licensed electrician.
- All wiring and installation of the luminaire must adhere to the latest local and national wiring rules. eg. AS/NZS 3000 Electrical installations.
- This luminaire is a Class I product and must be earthed during wiring and installation.
- Select a suitable location for installation:
 - This luminaire is suitable for indoor use only.
 - The mounting point must support 2 times the weight of the luminaire.
 - If installing a luminaire in an area prone to moisture, ensure that the area is well ventilated and an appropriately rated exhaust fan is used if required. Damage or corrosion caused by moisture is not a product fault, and as such is not covered under warranty.
- This luminaire is dimmable, and the use of an LED dimmer is strongly recommended. Please see **Highly Recommended Dimmers** and **Compatible Dimmers** Sections of the Specifications on Page 7 for a range of LED Dimmers that have been tested at the date of publication and are suitable for use with this luminaire.
NOTE: Dimming may cause buzzing sounds or a slight flicker. There may be slight delays with the LED luminaire start-up or slight uneven light performance when more than one LED luminaire is linked together, switched ON or dimmed. This is not a product fault and as such is not covered under warranty.
NOTE: Some dimmers have a minimum load of 20W. Ensure the dimmer position is on the maximum setting before turning on the luminaire and adjust the dimmer down to your desired light level.
NOTE: Testing cannot account for installation variables such as variation in mains supply voltage, cable capacitance, electrical noise, transients, surges and ripple control signals (commonly found in NSW & QLD).
- **NOTE:** The information provided is correct to the best of Beacon Lighting's knowledge at the date of publication.
- Take care not to pull any electrical wires during unpacking as this may damage the connection.
- Lay out all the components on a smooth surface and make sure no components are missing before assembling. If parts are missing, return the complete product to the place of purchase for inspection or replacement.
- Check whether the luminaire has been damaged during transport. Do not operate/install any product which appears damaged in any way. Return the complete product to the place of purchase for inspection, repair or replacement.
- Ensure power to the circuit you are working on has been switched OFF before commencing any electrical work.

Installation Directions


Installation method I – Surface mounted (Figure 1)

1. Remove all packaging material from the product and be careful not to throw away accessories that may be hidden within the packaging material. If assembly is required, place the luminaire on a smooth non-scratch surface.
2. Remove the mounting bracket from the luminaire by loosening the screws on both sides, with the provided Allen key.
3. Use the mounting bracket as a template to mark the screw positions onto the ceiling and drill the holes.
4. Install the mounting bracket onto the ceiling by using appropriately sized mounting screws and anchors. Ensure the screws and anchors used are suitable for the mounting surface and the surrounding environment.
5. Connect the mains supply wire to the terminal block. Ensure the wires are secure and no bare wires are exposed.

Mains Supply WireEarth – Yellow/Green 

Neutral – Blue or Black

Live – Brown or Red

Luminaire Wire / Terminal BlockYellow/Green 

Blue or N

Brown or L

NOTE: This luminaire is a Class I product and must be earthed during wiring and installation.

6. The colour temperature of this luminaire can be pre-set to a desired colour temperature. Slide the colour selector switch (A) to choose your preferred colour temperature: “WW” for 3000K *Warm White*, “CW” for 4000K *Cool White*, “DL” for 5000K *Daylight*.

NOTE: Using the colour selector switch (A) requires removal of the luminaire and must only be carried out by a licensed electrician.

7. Install the luminaire back onto the mounting bracket and secure it by tightening the screws.

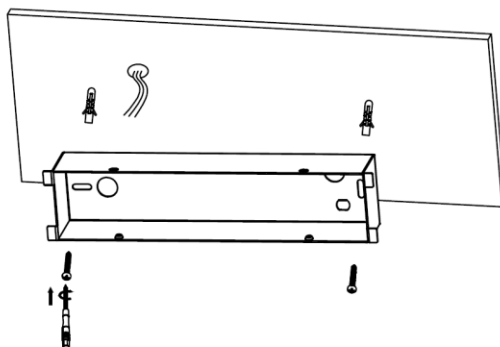
NOTE: Take care to not damage any of the wirings by neatly placing them inside the back of the luminaire.

8. Adjust the spotlight heads to your desired position.

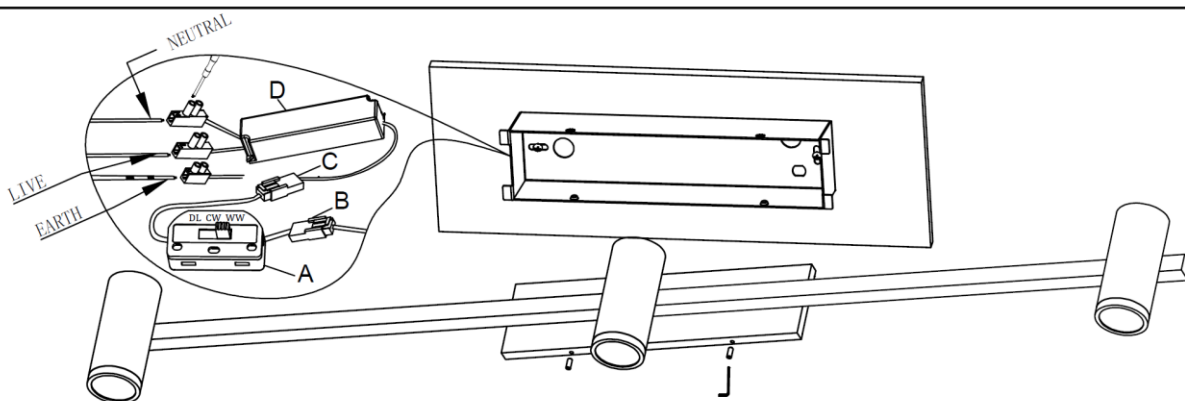
NOTE: Do not bend the spotlight heads up and down more than 90° and do not rotate the spotlight more than 330° as this may damage the knuckle joint or damage the internal wiring.

9. Switch on the luminaire to test all the lighting functions and enjoy your new lighting product.

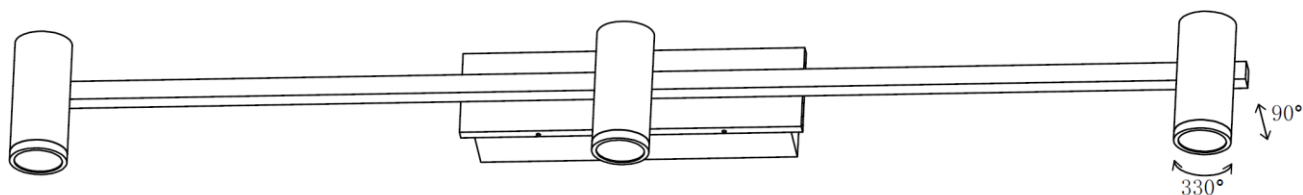
Figure 1
Installation method I – Surface mounted



1

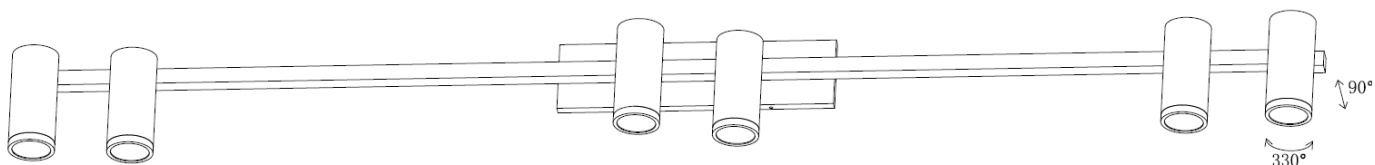


2



3

3-light model, SKU# 150712, 150713



6-light model, SKU# 150714, 150715

NOTE: Do not bend the spotlight up and down more than 90° and do not rotate the spotlight more than 330° as this may damage the knuckle joint or damage the internal wiring.


Installation method II – Recessed mounted (Figure 2)

1. Remove all packaging material from the product and be careful not to throw away accessories that may be hidden within the packaging material. If assembly is required, place the luminaire on a smooth non-scratch surface.
2. Remove the mounting bracket from the luminaire by loosening the screws on both sides, with the Allen key provided
3. Cut an installation hole of 250mm x 60mm into the ceiling.
4. Push the recessed mounting bracket into the cut-out hole. Use a screwdriver to turn the two locking ears to the side.
5. Connect the mains supply wire to the terminal block. Ensure the wires are secure and no bare wires are exposed.

Mains Supply WireEarth – Yellow/Green 

Neutral – Blue or Black

Live – Brown or Red

Luminaire Wire / Terminal BlockYellow/Green 

Blue or N

Brown or L

NOTE: This luminaire is a Class I product and must be earthed during wiring and installation.

6. The colour temperature of this luminaire can be pre-set to a desired colour temperature. Slide the colour selector switch (A) to choose your preferred colour temperature: “WW” for 3000K *Warm White*, “CW” for 4000K *Cool White*, “DL” for 5000K *Daylight*.

NOTE: Using the colour selector switch (A) requires removal of the luminaire and must only be carried out by a licensed electrician.

7. Install the luminaire onto the recessed mounting bracket and secure it by tightening the screws.

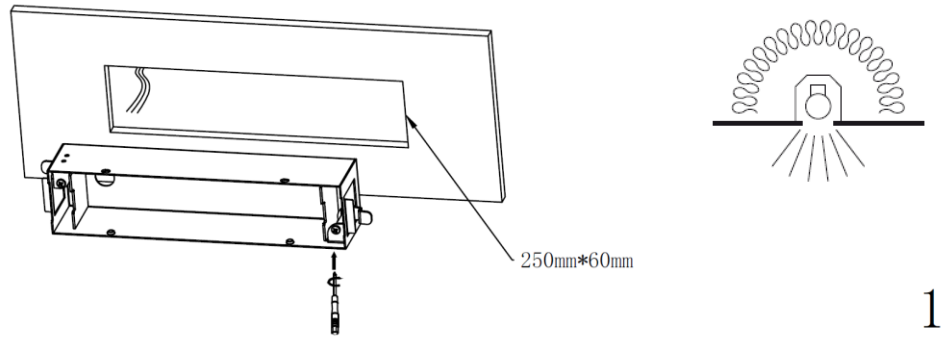
NOTE: Take care to not damage any of the wirings by neatly placing them inside the back of the luminaire.

8. Adjust the spotlight heads to your desired position.

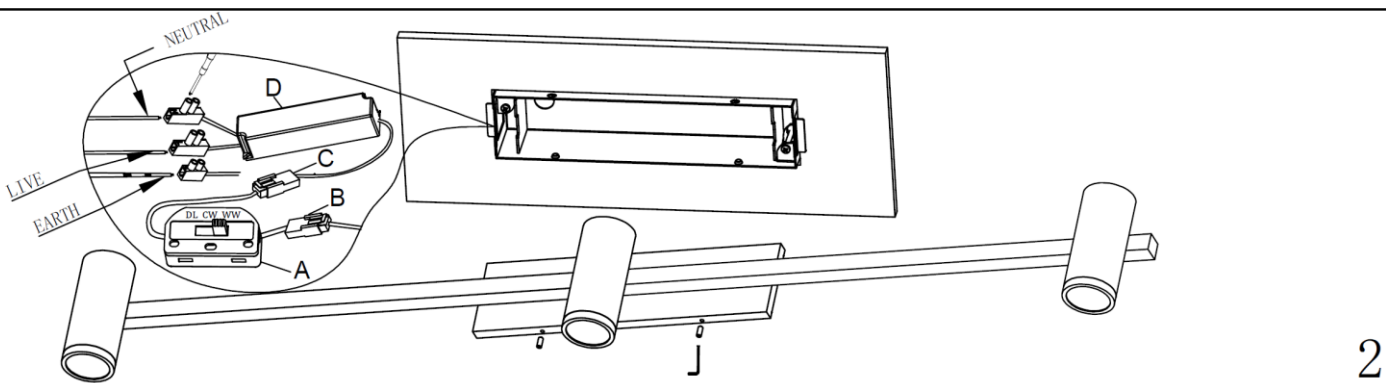
NOTE: Do not bend the spotlight heads up and down more than 90° and do not rotate the spotlight more than 330° as this may damage the knuckle joint or damage the internal wiring.

9. Switch on the luminaire to test all the lighting functions and enjoy your new lighting product.

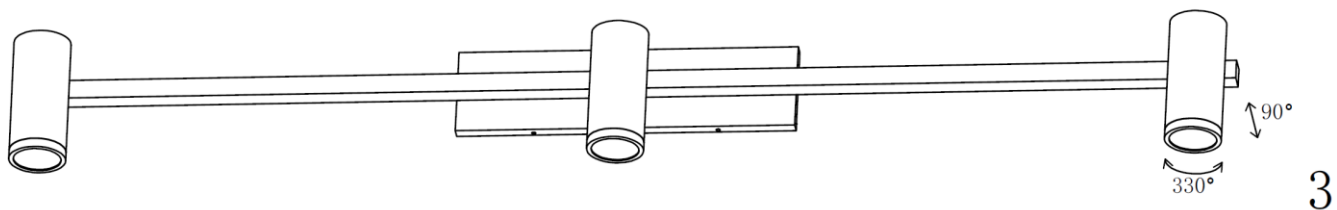
Figure 2
Installation method II – Recessed mounted



1

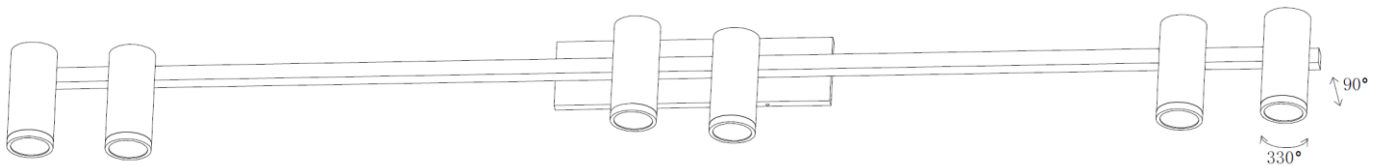


2



3

3-light model, SKU# 150712, 150713



6-light model, SKU# 150714, 150715

NOTE: Do not bend the spotlight up and down more than 90° and do not rotate the spotlight more than 330° as this may damage the knuckle joint or damage the internal wiring.

NOTE: Insulation can be covered and abutted against the recessed luminaire as per the IC requirement. The recessed luminaire can be abutted to any structural members, building elements or objects.

| Troubleshooting | | |
|---|--|--|
| PROBLEM | POSSIBLE CAUSE | SUGGESTED SOLUTION |
| Does not work. (New installation) | Loose wiring or no power to the LED luminaire. | Check your circuit breaker/safety switch box and turn on the power to your circuit. |
| | | Contact the installing licensed electrician to check if the luminaire has been installed correctly. |
| Does not work. (Existing installation) | No power to the LED luminaire. | Check your circuit breaker/safety switch box and turn on the power to your circuit. |
| | | Contact your nearest Beacon Lighting store. |
| Flickers when dimming. (New installation) | Non-compatible dimmer used. | Check the dimmer used. Ensure the dimmer used is on the list of compatible dimmers in this manual. |
| | Some dimmers have a variable loading adjustment function. This may not have been adjusted during the installation of the dimmer. | The variable resistor needs to be adjusted to suit the LED luminaire load to reduce the flickering. |
| Flickers when dimming. (Existing installation) | Dimmer position on low. | Ensure the dimmer position is on the maximum setting before turning on the LED luminaire and adjust the dimmer down to your desired light level. |
| Buzzing sound. | Non-compatible dimmer used. | Check the dimmer used. Ensure the dimmer used is on the list of compatible dimmers in this manual. |
| Uneven light start-up. | Dimmer position on low when switched on. | Ensure the dimmer position is on the maximum setting before turning on the LED luminaire and adjust the dimmer down to your desired light level. |

Safety Tips

- Always ensure the power is OFF and the luminaire has cooled down before performing any maintenance, cleaning or making any adjustment to the luminaire.
- To avoid injury or damage to the luminaire, ensure that power leads and screws are secure before connecting power.
- The light source of this luminaire is not replaceable; when the light source reaches its end of life the whole luminaire shall be replaced. There are no serviceable parts within the body of the luminaire, do not attempt to dismantle or open the luminaire.
- The LED Driver (D) in this luminaire is replaceable, and shall only be replaced by the manufacturer, their service agent or a similarly qualified person, such as a licenced electrician.
- Select a suitable location away from liquids and hazards.
- To clean, wipe with a soft damp clean cloth. Do NOT soak or immerse the luminaire in water or other liquids.
- Ensure that the luminaire does not come in contact with corrosive chemicals/solvents or abrasive cleaners etc.

| Specifications | | | | |
|----------------------------|--|--------|--|--------|
| SKU # | 150712 | 150713 | 150714 | 150715 |
| Colour | Black | White | Black | White |
| Number of Lights | 3 Lights | | 6 Lights | |
| Rated Voltage | 220-240V~ 50Hz | | | |
| Rated Wattage | 32W | | 60W | |
| Insulation Class | Class I | | | |
| Spare Parts | Driver: P020003 | | Driver: P020008 | |
| LED Specifications | 3000K – 2300 lumens 4000K – 2500 lumens 5000K – 2550 lumens CRI >90, dimmable | | 3000K – 4200 lumens 4000K – 4700 lumens 5000K – 4700 lumens CRI >90, dimmable | |
| Highly Recommended Dimmers | All Lucci , MFL and Buster+Punch dimmers | | | |
| Compatible Dimmers | DIGINET LED Smart MEDM Clipsal 42E350RUD2M-VW, 31E2RUDM,, 32E450UDM, 31E2PUDM HPM Cat.400TR DETA: 6032B series 2 Zimi Powermesh: PMPUSWV1G | | | |
| Weight | 1.9kg | | 2.6kg | |
| Dimensions | H:160mm W:1100mm E:165mm | | H:160mm W:1600mm E:165mm | |
| Cut out (recessed mounted) | 250mm x 60mm | | 250mm x 60mm | |