

## PANORAMA TRACK 2LT SPOTLIGHT

SKU# 159137, 159138

Rated Voltage 220-240V~ 50Hz

Thank you for purchasing this quality Lucci product. To ensure correct function and safety, please read and follow all instructions carefully before assembly, installation and use of this product. Please keep instructions for future reference.

**NOTE: This installation instruction applies to the luminaire only.**

**This luminaire must be used with the Lucci track kit (SKU# 140020, 140022, 140057, 140058).**

**The Lucci track kit is sold separately.**

**When working with 240V, a licensed electrician is required.**

### Warranty

- This luminaire is covered by a 3-year warranty valid for in-store replacement or refund only.
- The warranty period starts from the date of purchase, not the date of installation. Please retain the proof of purchase.
- The warranty is subject to the luminaire being used with the Lucci track kit (sold separately).
- The use of non-compatible dimmers may damage the LED luminaire and will void your warranty.
- Warranty will be void if there is any damage due to improper usage or modification to the luminaire.
- Failure to comply with the instructions in this manual may increase the risk of damage or injury and will void the warranty.

### Installation Requirements

- The installation location must have a Lucci track kit (sold separately) pre-installed on the ceiling. If you do not have an existing Lucci track kit (sold separately) pre-installed on the ceiling, please contact a licensed electrician for installation.
- Select a suitable location for installation:
  - This luminaire is suitable for indoor use only.
  - The mounting point must support 2 times the weight of the luminaire and Lucci track kit (sold separately).
  - Ensure the luminaire is not installed in the direct line of an air vent/system.
  - If installing a luminaire in an area prone to moisture, ensure that the area is well ventilated, and an appropriately rated exhaust fan is used if required. Damage or corrosion caused by moisture is not a product fault, and as such is not covered under warranty.
- The colour switching function will only operate with a mechanical or relay ON/OFF switch.
- The colour switching function will not operate with a semi-conductor ON/OFF switch.
- This luminaire is dimmable and was tested with the dimmers listed in the specification section at the date of publication. The use of a LED dimmer such as the Lucci LEDlux SKU# 290998 or SKU# 290997 or SKU# 299043 dimmer is highly recommended.

**NOTE:** For the best dimming range, use the Lucci LEDlux SKU# 290998 dimmer and adjust the variable resistor at the minimum and maximum dimming positions on the dimmer during the installation.

**NOTE:** Dimming may cause buzzing sounds or a slight flicker. There may be slight delays with the LED luminaire start-up or uneven light performance when more than one LED luminaire is linked together, switched ON or dimmed. This is not a product fault and as such is not covered under warranty.

**NOTE:** Some dimmers have a minimum load of 20W. Ensure the dimmer position is on the maximum setting before turning on the LED light and adjust the dimmer down to your desired light level.

**NOTE:** Testing cannot account for installation variables such as variation in mains supply voltage, cable capacitance, electrical noise, transients, surges and ripple control signals (commonly found in NSW & QLD).

**NOTE:** The information provided is correct to the best of Beacon Lighting's knowledge at the date of publication.

# Installation Instructions

- Take care not to pull any electrical wires during unpacking as this may damage the connection.
- Lay out all the components on a smooth surface and make sure no components are missing before assembling. If parts are missing, return the complete product to the place of purchase for inspection or replacement.
- Check whether the luminaire has been damaged during transport. Do not operate/install any product which appears damaged in any way. Return the complete product to the place of purchase for inspection, repair or replacement.

## Installation Directions

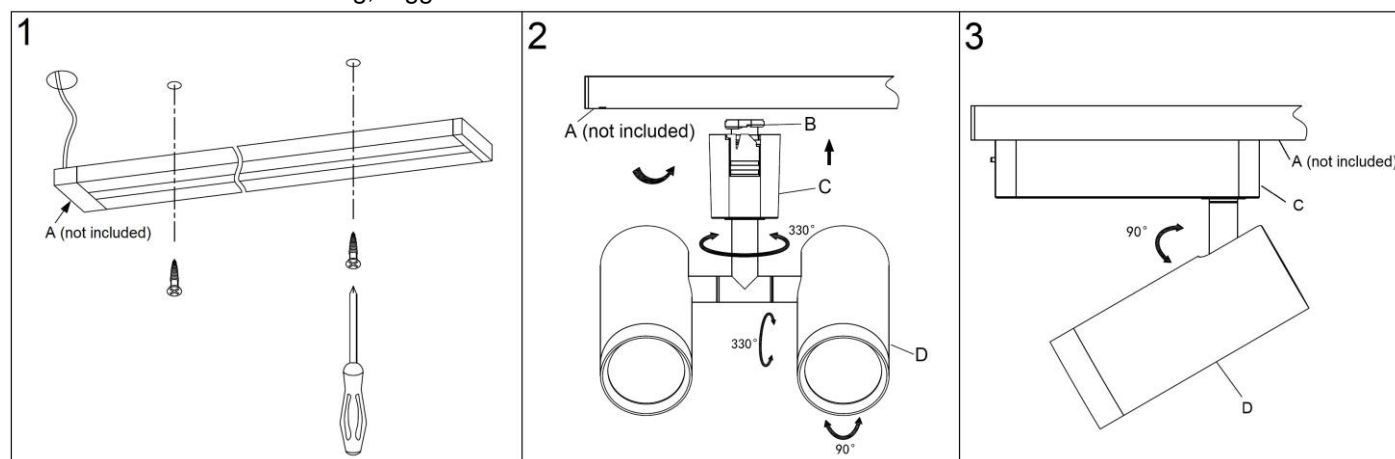
**Ensure power to the circuit you are working on has been switched OFF before commencing any electrical work.**

1. Remove all packaging material from the product and be careful not to throw away accessories that may be hidden within the packaging material.
2. The installation location must have a Lucci track kit (A - sold separately) pre-installed on the ceiling. If you do not have an existing Lucci track kit (A - sold separately) pre-installed on the ceiling, please contact a licensed electrician for installation. (Fig. 1)
3. Check the track adaptor (B) on the luminaire and locate the side with the earth pin. Check the Lucci track kit (A - sold separately) and locate the side that has the extra groove on the track. The side with the extra groove is the side with the earth connection. (Fig. 2)
4. Install the luminaire (C) by twisting and locking it into the Lucci track kit (A - sold separately). (Fig. 2)
5. Adjust the head (D) to your desired angle.

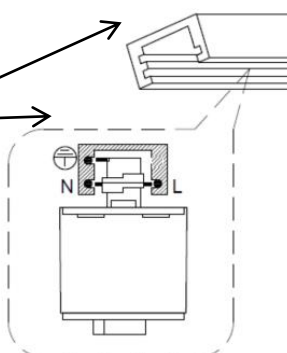
**NOTE: DO NOT adjust the head up or down more than 90° and DO NOT rotate the head more than 330°.**

**As this may damage the knuckle joint and the internal wires. (Fig. 2 & 3)**

6. After the installation is complete, switch on the luminaire to test and enjoy your new lighting product.
7. To operate the colour shifting function, use the wall switch.
8. While the luminaire is on, toggle the wall switch OFF and ON again within 3 seconds. The colour shifting sequence will jump from 3000K – 5000K – 4000K.
9. For the colour shifting to memorise the colour temperature, leave the wall switch OFF for over 7 seconds.
10. To reset the colour shifting, toggle the wall switch OFF and ON twice within 1 second.



**NOTE: The side with the extra groove on the track adaptor (B) and the track kit, is the side with the earth connection.**



## Safety Tips

- Always ensure the power is OFF and the luminaire has cooled down before performing any maintenance, cleaning or making any adjustment to the luminaire.
- To avoid injury or damage to the luminaire, ensure that power leads and screws are secure before connecting the power.
- Select a suitable location away from liquids and hazards.
- To clean, wipe with a soft damp cloth. Do NOT soak or immerse the luminaire in water or other liquids.
- Ensure that the luminaire does not come in contact with corrosive chemicals/solvents or abrasive cleaners etc.
- The light source of this luminaire is not replaceable; when the light source reaches its end of life, the whole luminaire shall be replaced. There are no serviceable parts, do not attempt to dismantle or open the luminaire.

## Specifications

SKU #	159137	159138
Colour	White	Black
Rated Voltage	220-240V~ 50Hz	
Rated Wattage	18W	
LED Specs	Colour switching LEDs*, Dimmable, CRI>90	
Colour Temperature and Lumens	3000K – 1250 lumens 4000K – 1450 lumens 5000K – 1400 lumens	3000K – 1200 lumens 4000K – 1400 lumens 5000K – 1350 lumens
Highly Recommended Dimmers	Lucci LEDlux SKU# 290998, Lucci LEDlux SKU# 290997, Lucci LEDlux SKU# 299043, Buster + Punch DIM-002.	
Compatible Dimmers	Clipsal PDL354RDMLED-VW, 31E2RUDM, 32E450TM, 32E450UDM, 31E2PUDM, 32ELEDM, DIGINET LED Smart MEDM, HPM Cat. 400T.	
Weight	0.5kg	
Dimensions	H:160mm W:260mm E:260mm Max.	

**\*NOTE: The colour switching function will only operate with a mechanical or relay ON/OFF switch.  
The colour switching function will not operate with a semi-conductor ON/OFF switch.**