

## STARLIGHT MINI 12V UNDER CABINET LIGHT

SKU# 160860, 160861

Rated Voltage 12V AC/DC

Thank you for purchasing this quality Lucci product. To ensure correct function and safety, please read and follow all instructions carefully before assembly, installation and use. Please keep instructions for future reference.

### Warranty

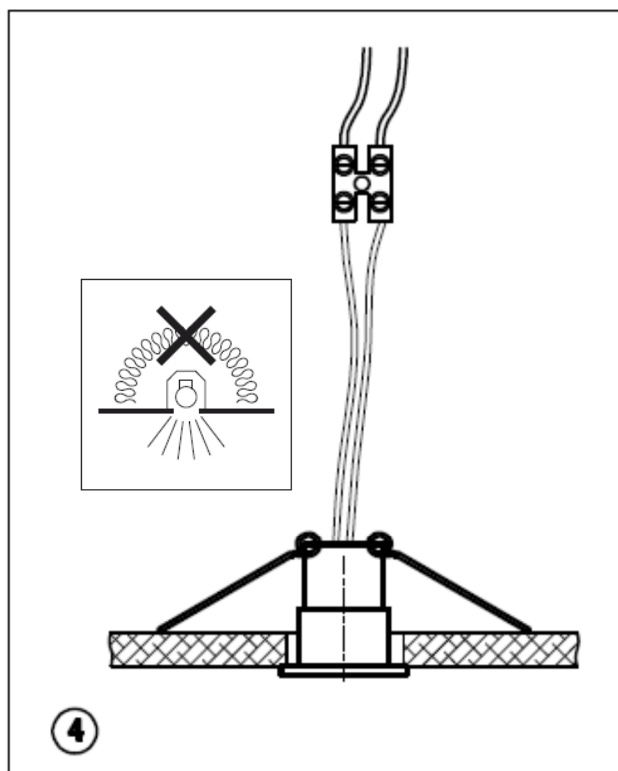
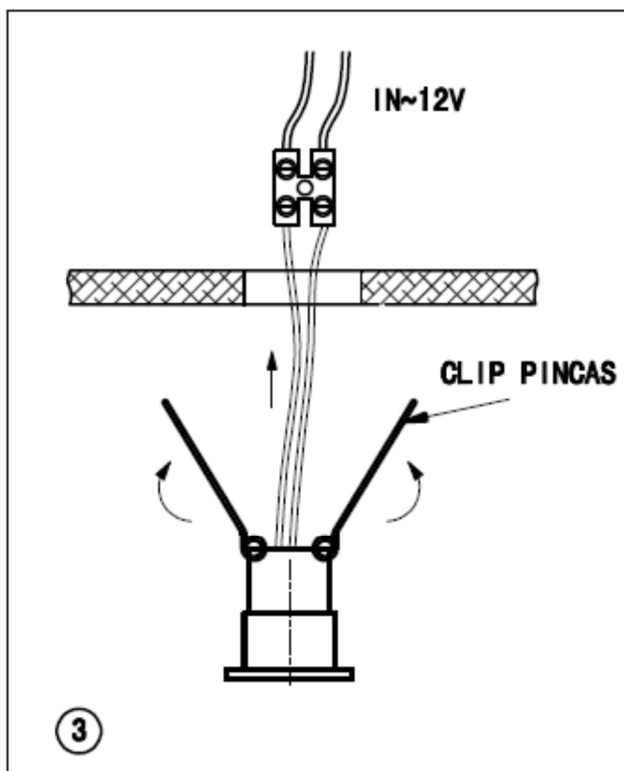
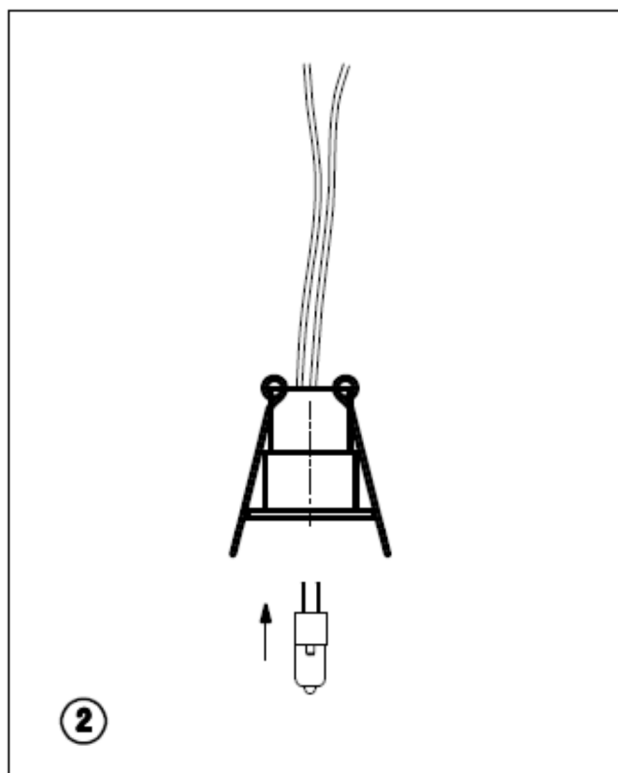
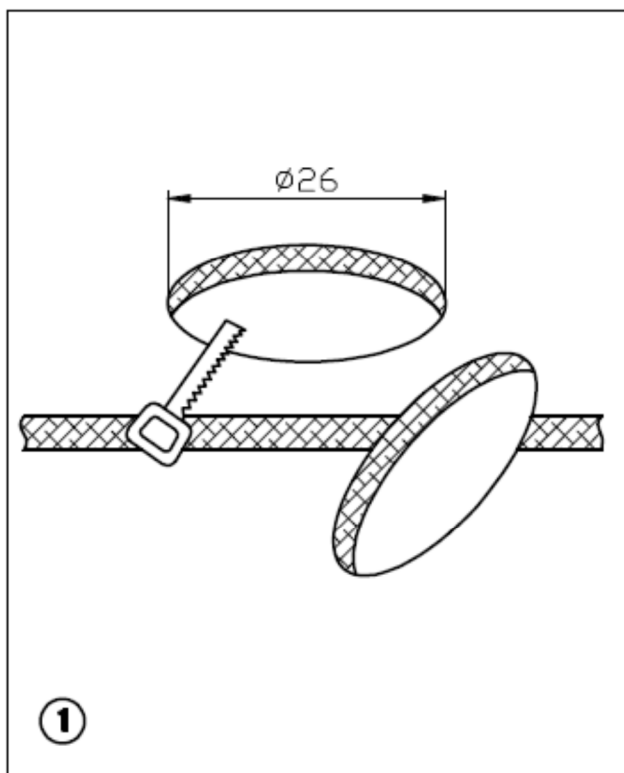
- This light fitting is covered by a 1 year warranty. The warranty is from date of purchase, not the date of installation. Please retain proof of purchase.
- Warranty will be void if there is any damage due to improper usage or modification to the fitting.
- Failure to comply with the instructions in this manual may increase the risk of damage or injury and will void warranty.

### Installation requirements

- Must be installed by a licensed electrician.
- All wiring and installation of the light fitting must adhere to local and national wiring rules. eg. AS/NZS 3000:2007/Amendment 2:2012 Electrical installations.
- Select a suitable location for installation, the mounting point must support 2 times the weight of the fitting.
- This product is suitable for indoor use only.
- Ensure the fitting is not installed in direct line of an air vent/system.
- When installing a fitting in an area prone to moisture, ensure that the area is well ventilated and an appropriately rated exhaust fan is used if required. Damage or corrosion caused by moisture is not a product fault, and as such is not covered under warranty.
- Take care not to pull any electrical wires during unpacking as this may damage the connection.
- DO NOT cover the fitting with thermal insulation material.
- Lay out all the components on a smooth surface and make sure there are no components missing before assembling. If parts are missing, return the complete product to the place of purchase for inspection or replacement.
- Check whether the fitting has been damaged during transport. Do not operate/install any product which appears damaged in any way. Return the complete product to the place of purchase for inspection, repair or replacement.

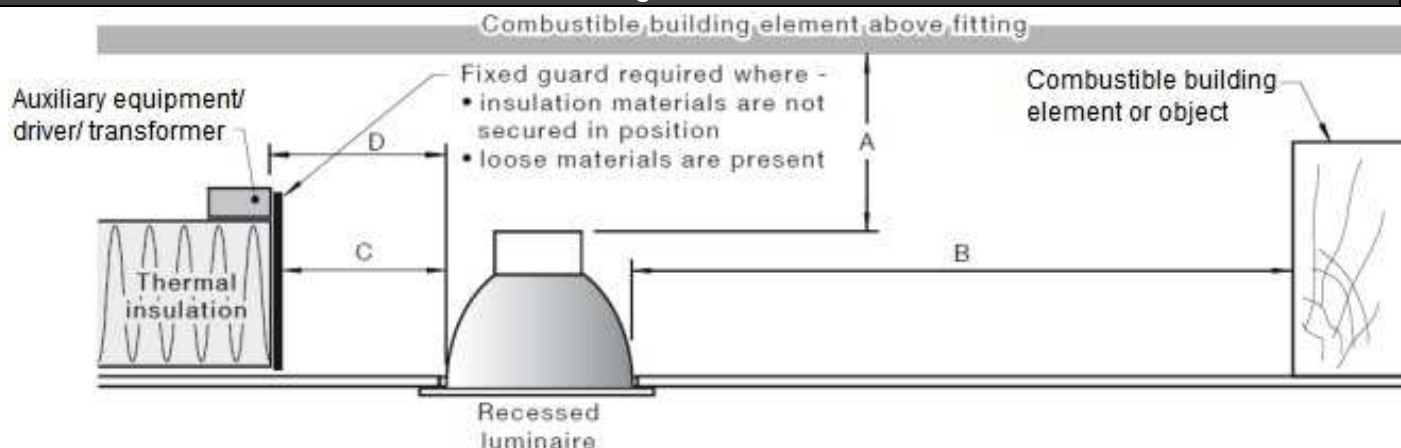
### Installation directions

1. Remove all packaging material from the product and be careful not to throw away accessories that may be hidden within the packaging material.
2. Cut an installation hole of Ø26mm into the ceiling. (Fig.1) **Ensure all the clearance values are maintained for the fitting.**
3. Install the globe (not included) to the lamp holder. (Fig. 2)  
**Do not exceed the maximum wattage rating.**
4. Connect the 12V supply to the fitting via a terminal block. (Fig.3)
5. Position the fitting onto the ceiling by the two clips. (Fig.4)  
**DO NOT cover the fitting with thermal insulation material.**
6. Make any final adjustments to the fitting and check that all parts are secured tightly before turning the power on.



**RISK OF FIRE – BUILDING INSULATION MUST NOT COVER THIS LUMINAIRE**  
 HCB = 25 mm MIC = 25 mm SCB = 25 mm SCI = 25 mm

## Clearance information – AS/NZS 3000 Wiring Rules



LOCATION	DISTANCE	DESCRIPTION
A	25 mm (Minimum)	Clearance between the top of the recessed luminaire and any combustible materials, building element or objects above it.
B	25 mm (Minimum)	Clearance between the side of the recessed luminaire and any combustible materials, building element or objects.
C	25 mm (Minimum)	Clearance between the side of the recessed luminaire and any combustible materials, building element or objects.
D	50 mm	Auxiliary equipment/driver/transformer must be placed 50mm away from the luminaire. It must be placed on top of any thermal insulation and must not be covered.

## Safety tips

- Always ensure the power is OFF and the fitting has cooled down before performing any maintenance, cleaning, changing the globe or making any adjustment to the fitting.
- To avoid injury or damage to the fitting, ensure that power leads and screws are secure before connecting the power.
- Ensure that the fitting does not come in contact with corrosive chemicals/solvents or abrasive cleaners etc.
- To clean, wipe with a damp clean cloth. Do NOT soak or immerse the product in water or other liquids.

## Specifications

SKU #	160860	160861
Colour	White	Brushed Chrome
Rated Voltage	12V AC/DC	
Rated Wattage	3W Max. LED Only	
Lamp Holder	G4	
Weight	0.3 kg	
Cut-out size	Ø 26mm	
IP Rating	IP20	
Dimensions	Dia:35mm H:37mm	