

LUTON 1 LIGHT GU10 SPOTLIGHT

SKU# 169204, 169205

Rated Voltage 220-240V~ 50Hz

Thank you for purchasing this quality Lucci product. To ensure correct function and safety, please read and follow all instructions carefully before assembly, installation and use of this luminaire. Please keep instructions for future reference.

Warranty

- This recessed luminaire is covered by a 5 years warranty valid for in-store replacement or refund only.
- The warranty period starts from the date of purchase, not the date of installation. Please retain the proof of purchase.
- Warranty will be void if there is any damage due to improper usage or modification to the recessed luminaire.
- Failure to comply with the instructions in this manual may increase the risk of damage or injury and will void the warranty.

Installation Requirements

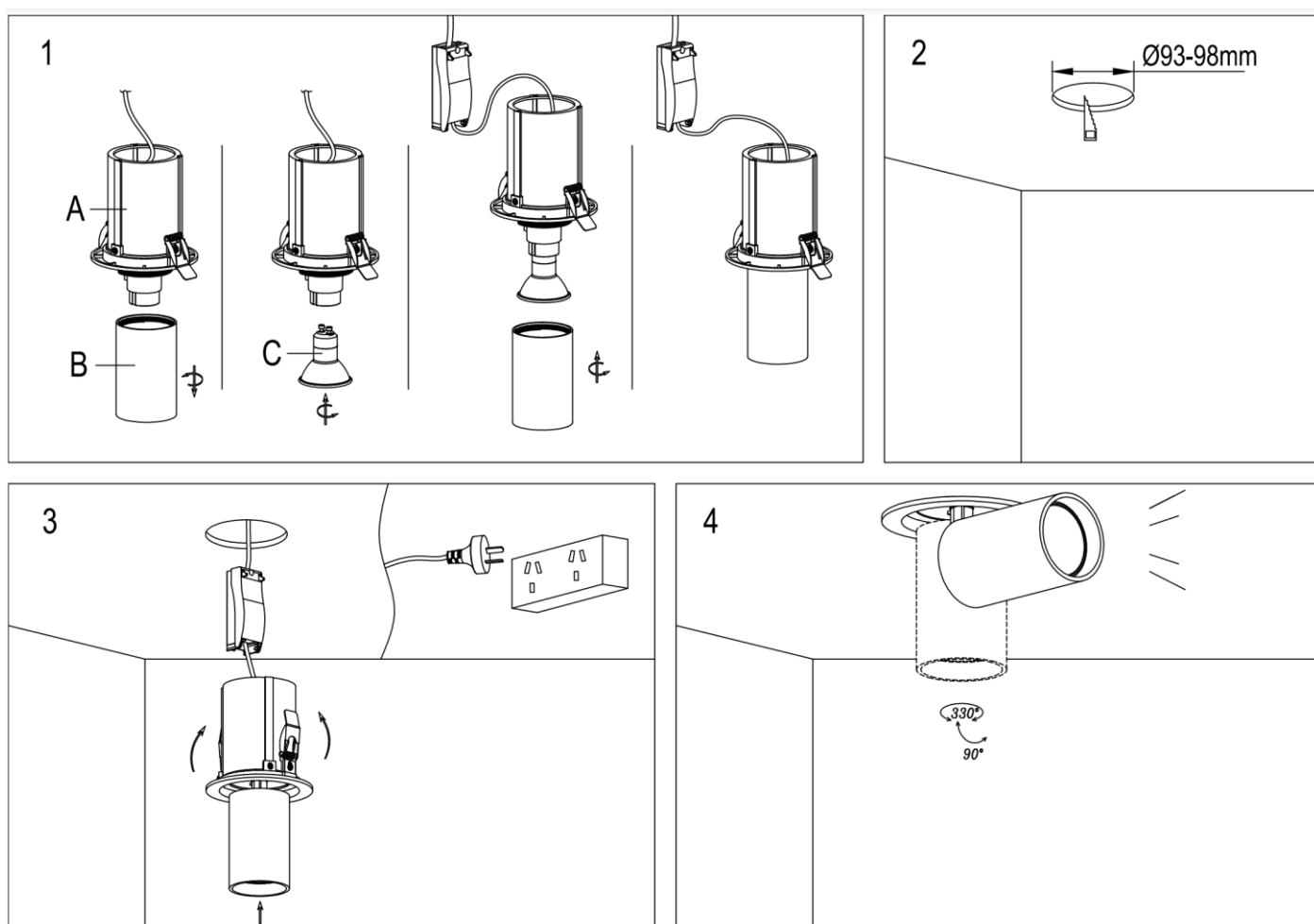
- Before installation, check the installation location in the ceiling has access to a socket outlet which is connected to a wall light switch. If it does not, please contact a licensed electrician to arrange installation of the socket outlet in the ceiling and is connected to a wall light switch before continuing.
- All wiring and installation of the luminaire must adhere to the latest local and national wiring rules. eg. AS/NZS 3000 Electrical installations. If unsure, please contact a licensed electrician.
- Do not exceed the maximum wattage rating. This recessed luminaire is suitable for use with LED lamps only.
- Select a suitable location for installation:
 - This luminaire is suitable for indoor use only.
 - The mounting point must support 2 times the weight of the luminaire.
 - If installing a luminaire in an area prone to moisture, ensure that the area is well ventilated, and an appropriately rated exhaust fan is used if required. Damage or corrosion caused by moisture is not a product fault, and as such is not covered under warranty.
- This recessed luminaire has an insulating ceiling type IC-4 rating. Building insulation material can safely be exposed continuously to temperatures up to 90°C may abut and cover the luminaire. (Please refer to the Clearance Information section and the IC-4 rating section in this instruction manual for further details.)
- If loose fill insulation or thermal insulation is not fixed into position or if there are loose combustible materials (e.g. leaves or combustible materials stored in the roof space), a barrier or guard is required as per the Clearance Information section in this instruction manual.
- Take care not to pull any electrical wires during unpacking as this may damage the connection.
- Lay out all the components on a smooth surface and make sure there are no components missing before assembling. If parts are missing, return the complete product to the place of purchase for inspection or replacement.
- Check whether the recessed luminaire has been damaged during transport. Do not operate/install any product which appears damaged in any way. Return the complete product to the place of purchase for inspection, repair or replacement.
- Ensure power to the circuit you are working on has been switched OFF before commencing any electrical work.

Installation Directions

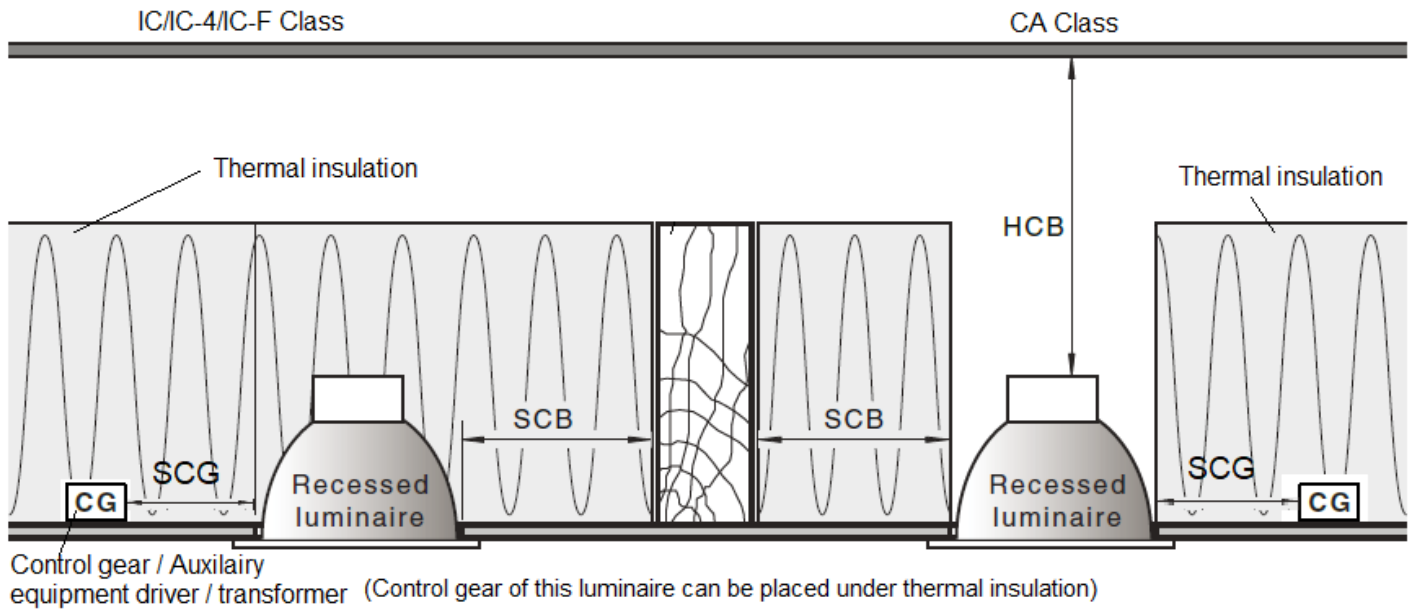
1. Remove all packaging material from the product and be careful not to throw away accessories that may be hidden within the packaging material.
2. Pull the shade down (B) from the recessed luminaire (A) and remove the shade (B) by twisting it anti-clockwise. (Fig. 1)
3. Install a globe (C – not included) into the lamp holder. (Fig. 1)
4. Install the shade (B) back into the recessed luminaire (A).
5. Cut an installation hole into the ceiling. (Fig.2)
6. Insert the plug, cable and box through the installation hole and into the ceiling. (Fig.3)
7. Insert the luminaire plug into the socket outlet and ensure it is fully plugged in. (Fig.3)
8. Push the springs up and install the downlight into the installation hole. (Fig.3)
9. Ensure all the clearance values are maintained during and after installation of the recessed luminaire, thermal insulation, loose fill insulation, loose combustible materials and any structural members.

NOTE: Please refer to the Clearance Information section and the IC Rating sections in this instruction manual for further details.

10. Tilt the globe to your desired angle. The maximum angle of adjustment is 90° and the maximum angle of rotation is 330°. (Fig.4)
11. After the installation, switch on the luminaire to test and enjoy your new lighting product.

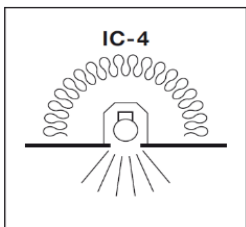


Clearance Information – AS/NZS 3000 Wiring Rules-Figure 4.9



LOCATION	DISTANCE	DESCRIPTION
HCB	0 mm (Minimum)	Clearance between the top of the recessed luminaire and any structural members, building elements or objects above it.
SCB	0 mm (Minimum)	Clearance between the side of the recessed luminaire and any structural members, building elements or objects.
SCI	0 mm (Abutted)	Insulation can be abutted against the side of recessed luminaire and covered as per IC-4 Rating. See IC-4 Rating section for more details.
SCG	100mm	Auxiliary equipment/driver/transformer must be placed 100mm away from the luminaire. It can be placed under the thermal insulation and covered.

IC Rating – AS/NZS 60598.2.2 : 2016



1. A closed luminaire that allows building insulation to come into contact with its sides and to cover it.
2. Type IC-4 recessed luminaire can be used together with building insulation that can safely be exposed continuously to temperatures up to 90°C may abut and cover the luminaire;
- 2.The declared IC-4 rating is based on the default testing ambient temperatures 25°C according to the standard.

RISK OF FIRE – Required clearance from structural members and building elements
 SCB = 0 mm HCB = 0 mm

Safety Tips

- Always ensure the power is OFF and the luminaire has cooled down before performing any maintenance, cleaning, changing or making any adjustment to the luminaire.
- The external flexible cable or cord of this luminaire cannot be replaced; if the cable or cord is damaged, the luminaire shall be destroyed.
- To avoid injury or damage to the luminaire, ensure that power leads and screws are secure before connecting the power.
- Select a suitable location away from liquids and hazards.
- To clean, wipe with a soft damp cloth. Do NOT soak or immerse the luminaire in water or other liquids.
- Ensure that the luminaire does not come in contact with corrosive chemicals/solvents or abrasive cleaners etc.

Specifications

SKU #	169204	169205
Colour	White	Black
Rated Voltage	220-240V~ 50Hz	
Rated Wattage	8W Max.(LED Only)	
Lamp Holder	GU10	
Weight	0.5kg	
Cut-out Size	93 x 98 mm	
Recessed Luminaire Classification	IC-4	
Dimensions	H:121mm D:100mm	