

CUSTOM TRI-COLOUR LED DOWNLIGHT

SKU# 170010, 170011, 170012

Rated Voltage 220-240V~ 50Hz

To ensure correct function and safety, please read and follow all instructions carefully before assembly, installation and use of this recessed luminaire. Please keep instructions for future reference.

Warranty

- This recessed luminaire is covered by a 5-year warranty valid for in-store replacement or refund only.
- The warranty period starts from the date of purchase, not the date of installation. Please retain the proof of purchase.
- The use of non-compatible dimmers may damage your recessed luminaire and will void your warranty.
- Warranty will be void if there is any damage due to improper usage or modification to the recessed luminaire.
- Failure to comply with the instructions in this manual may increase the risk of damage or injury and will void the warranty.

Installation Requirements

- Before the installation, check the installation location in the ceiling has access to a socket outlet which is connected to a wall light switch and dimmer. If it does not, please contact a licensed electrician to arrange installation of the socket outlet, wall light switch and dimmer before continuing.
- All wiring and installation of the recessed luminaire must adhere to latest local and national wiring rules. e.g. AS/NZS 3000 Electrical installations. If unsure, please contact a licensed electrician.
- Select a suitable location for installation;
 - The mounting point must support 2 times the weight of the recessed luminaire.
 - This recessed luminaire is suitable for indoor use only.
 - Ensure the recessed luminaire is not installed in the direct line of an air vent/system.
 - If installing the recessed luminaire in an area prone to moisture, ensure that the area is well ventilated and an appropriately rated exhaust fan is used if required. Damage or corrosion caused by moisture is not a product fault, and as such is not covered under warranty.
- The colour shifting function is designed to operate with a mechanical or relay ON/OFF switch, as well as selected semi-conductor ON/OFF switches, such as MFL Artisan or Lucci Power Dimmers with ON/OFF functionality. Please note the colour shifting function may not operate correctly on all semi-conductor switches.
- The use of a LED dimmer is strongly recommended. Please see **Highly Recommended Dimmers** Section of the Specifications on Page 5 for a list of SKUs that have been specifically designed & tested for use with this luminaire.
NOTE: Dimming may cause buzzing sounds or a slight flicker. There may be slight delays with the LED light start up or slight uneven light performance when more than one LED light fitting is linked together, switched ON or dimmed. This is not a product fault and as such is not covered under warranty.
NOTE: Some dimmers have a minimum load of 20W. Ensure the dimmer position is on the maximum setting before turning on the LED light and adjust the dimmer down to your desired light level.
NOTE: Testing cannot account for installation variables such as variation in mains supply voltage, cable capacitance, electrical noise, transients, surges and ripple control signals (commonly found in NSW & QLD).
NOTE: The information provided is correct to the best of Beacon Lighting's knowledge at the date of publication.
- This recessed luminaire has an insulating ceiling type IC-4 rating. Building insulation material can safely be exposed continuously to temperatures up to 90°C may abut and cover the luminaire. (Please refer to the Clearance Information section and the IC-4 rating section in this instruction manual for further details.)

- If loose fill insulation or thermal insulation is not fixed into position or if there are loose combustible materials (e.g. leaves or combustible materials stored in the roof space), a barrier or guard is required as per the Clearance Information section in this instruction manual.
- The LED driver must be placed at least 100mm away from the LED downlight module to allow for cooling.
- The LED driver can be placed under the insulation. (Please refer to the Clearance Information section in this instruction manual for further details).
- The LED downlight module is only suitable for use with Lucci LED Driver model#: LB-PD-2916-12.5W
- The recessed luminaire must not be used if the diffuser has been cracked or damaged.
- Take care not to pull any electrical wires during unpacking as this may damage the connection.
- Lay out all the components on a smooth surface and make sure no components are missing before assembling. If parts are missing, return the complete product to the place of purchase for inspection or replacement.
- Check whether the luminaire has been damaged during transport. Do not operate/install any product which appears damaged in any way. Return the complete product to the place of purchase for inspection, repair or replacement.
- Ensure power to the circuit you are working on has been switched OFF before commencing any electrical work.

Installation Directions

1. Remove all packaging material from the product and be careful not to throw away accessories that may be hidden within the packaging material.

NOTE: Before installation, plug the recessed luminaire into a socket outlet to ensure it is working correctly.

2. The colour temperature of this recessed luminaire can be pre-set OR operated via the connected wall light switch; To pre-select the colour temperature, select the colour temperature via the switch on the LED driver. (Fig. 1)

NOTE: The recessed luminaire must be turned off before using the switch on the LED driver to change the colour temperature.

OR

Select WC (Wall Control) on the LED driver to switch the colour temperature via the connected wall light. (Fig. 1)

3. Cut an installation hole of Ø 90mm into the ceiling. (Fig.2)
4. Insert the plug into the socket outlet and ensure it is fully plugged in. (Fig.3)
5. Push the springs up and put the recessed luminaire up through the cut-out hole and into the ceiling. (Fig.4)
6. Ensure all the clearance values are maintained during and after installation of the recessed luminaire, thermal insulation, loose fill insulation, loose combustible materials and any structural members. (Fig. 5)

NOTE: Please refer to the Clearance Information section and the IC-4 section in this instruction manual for further details. Keep the luminaire 100mm away from the LED driver to allow for cooling. (Fig.5)

7. Adjust the aiming angle of the downlight. The range of the aiming angle is 25° from the vertical line (Fig.6)
8. After the installation, switch on the luminaire to test all the lighting functions and enjoy your new lighting product.

COLOUR SWITCHING VIA THE WALL LIGHT SWITCH (3000K - 5000K - 4000K):

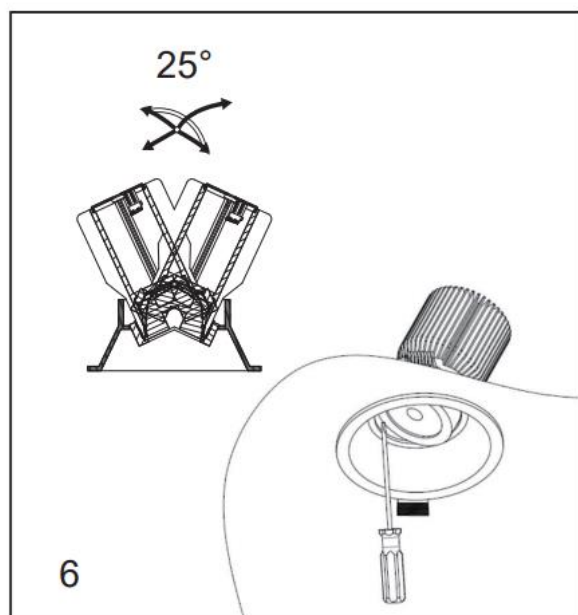
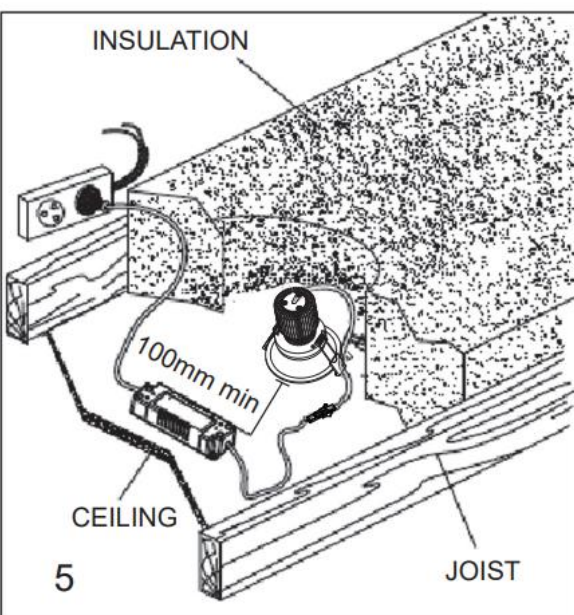
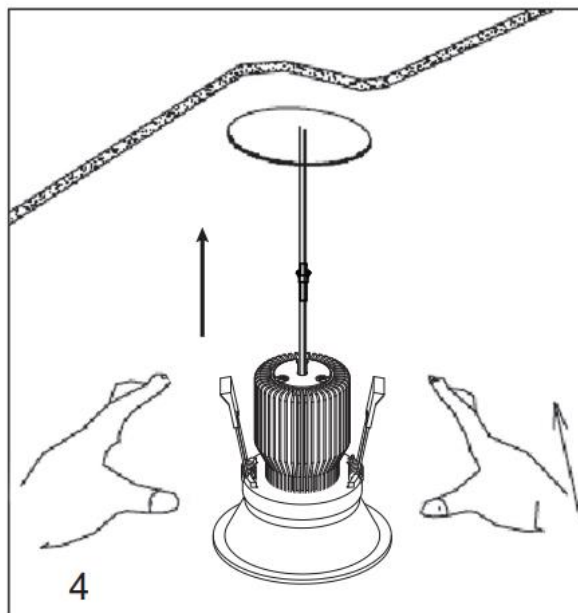
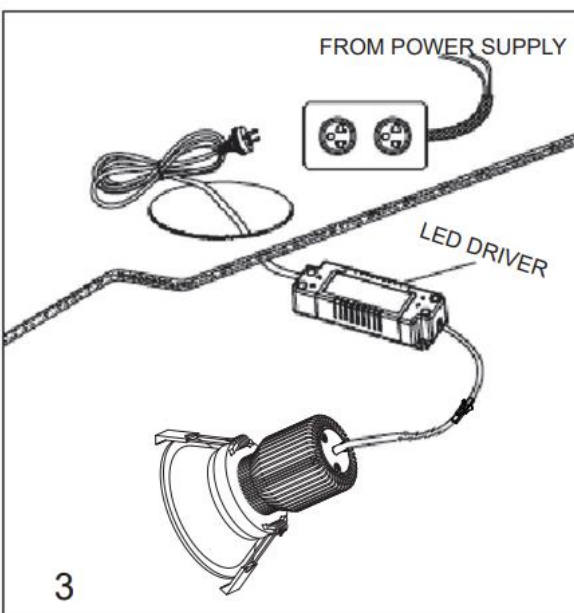
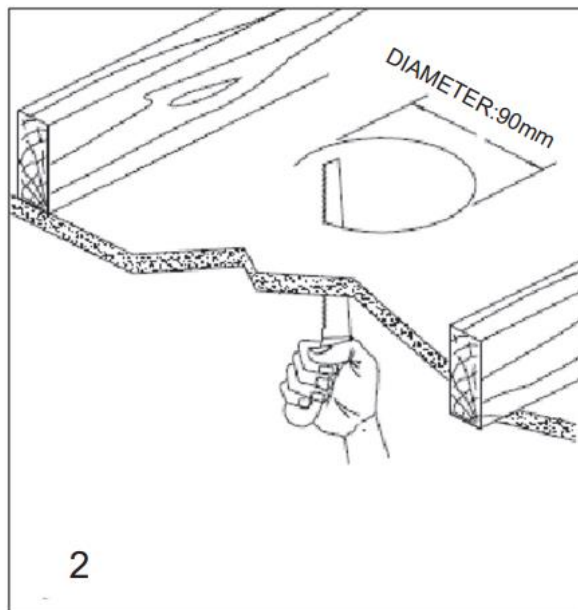
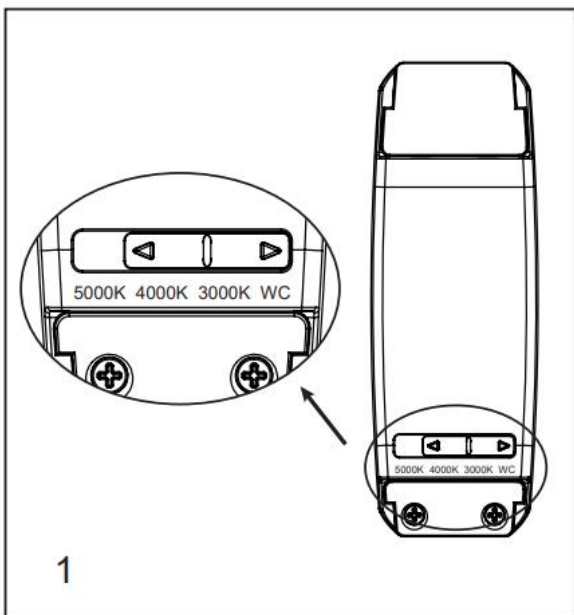
NOTE: If the luminaire is installed with a dimmer, it is recommended to turn the dimmer to the highest position before adjusting the colour temperature via the wall light switch.

- To operate the colour shifting function, use the connected mechanical or relay ON/OFF wall light switch.

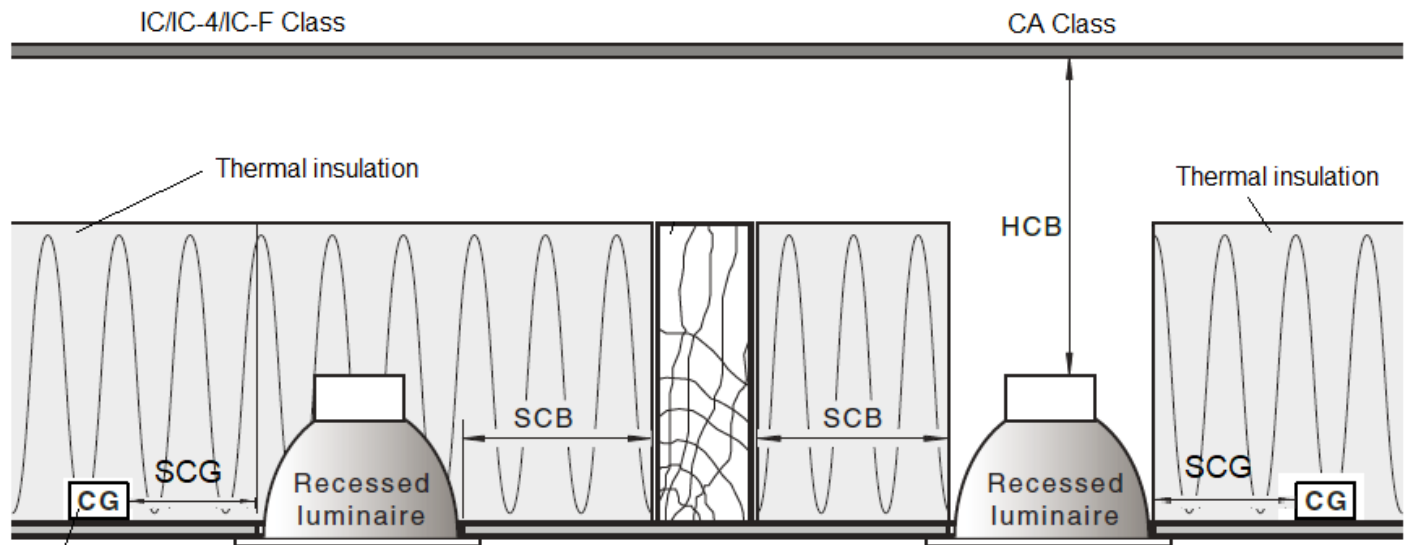
NOTE: The switch on the LED driver must be at the WC (Wall Control) position. (Fig. 1)

- While the luminaire is on, toggle the wall light switch OFF and ON again within 3 seconds. The colour shifting sequence will jump from 3000K – 5000K – 4000K.
- For the colour shifting to memorise the colour temperature, leave the wall switch OFF for over 7 seconds.
- To reset the colour temperature, toggle the wall switch OFF and ON twice within 1 second. Repeat if it doesn't reset.

NOTE: If using an MFL Artisan or Lucci Power Dimmer, please see the Dimmer Installation Manual for instructions on how to operate the colour shifting functions correctly.



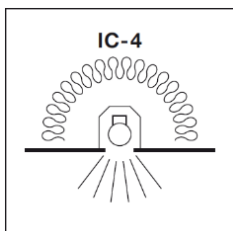
Clearance Information – AS/NZS 3000 Wiring Rules



Control gear / Auxiliary equipment driver / transformer (Control gear of this luminaire can be placed under thermal insulation)

LOCATION	DISTANCE	DESCRIPTION
HCB	0mm	Minimum distance between the top of the recessed luminaire and any building element above it.
MIC	0mm	Minimum distance between the top of the recessed luminaire and the building insulation above it.
SCB	0mm	Minimum distance between the side of the recessed luminaire and any building element as specified in AS/NZS 3000.
SCI	0mm (Abutted)	Minimum distance between the recessed luminaire and any building insulation. Insulation can be abutted against the side of recessed luminaire and covered as per IC-4 Rating. See IC-4 Rating section for more details.
SCG	100mm	Auxiliary equipment/driver/transformer must be placed 100mm away from the luminaire. It can be placed under the thermal insulation and covered.

IC-4 Rating – AS/NZS 60598.2.2: 2016



A recessed luminaire that can be abutted against normally flammable materials, including building insulation, and can be covered in normal use. Building elements and building insulation to the heated parts of the luminaire. This classification of recessed luminaire is effectively a sealed unit that has a restricted flow of air between the habitable room the luminaire emits light into and the void/space where the main body of the luminaire is located.

- A closed luminaire that allows building insulation to come into contact with its sides and to cover it.
- Type IC-4 recessed luminaire can be used together with building insulation that can safely be exposed continuously to temperatures up to 90°C may abut and cover the luminaire.
- The declared IC-4 rating is based on the default testing ambient temperatures 25°C according to the standard.

RISK OF FIRE – REQUIRED CLEARANCE FROM STRUCTURAL MEMBERS AND BUILDING ELEMENTS

HCB=0 mm MIC=0mm SCB=0mm SCI=0mm

Safety Tips

- Always ensure the power is OFF and the recessed luminaire has cooled down before performing any maintenance, cleaning or making any adjustment to the recessed luminaire.
- If the external flexible cable or cord of this luminaire is damaged, it shall be exclusively replaced by the manufacturer or his service agent or a similar qualified person in order to avoid a hazard.
- The recessed luminaire must not be used if the diffuser/protective shield has been cracked or damaged.
- The light source of this luminaire is not replaceable; when the light source reaches its end of life the whole luminaire shall be replaced. There are no serviceable parts, do not attempt to dismantle or open the product.
- To avoid injury or damage to the luminaire, ensure that power leads and screws are secure before connecting the power.
- Ensure the recessed luminaire does not come in contact with corrosive chemicals/solvents or abrasive cleaners etc.
- To clean, wipe with a soft damp clean cloth. Do NOT soak or immerse the product in water or other liquids.

Specifications

SKU #	170010	170011	170012
Colour	White	Black	Brass Finish
Rated Voltage	220-240V~ 50Hz,		
Rated Wattage	12.5W		
LED Specs	Dimmable, Colour Shifting LEDs*, CRI≥90		
Rated Lumens	3000K – 900 lumens** 4000K – 1000 lumens** 5000K – 1000 lumens**		
Highly Recommended Dimmers	Lucci Power: SKU# 290989, 290992, 290993, 290994. MFL Artisan: SKU# 197015, 197016, 197017, 197018. Lucci LEDlux: SKU# 290997. Buster + Punch: DIM-002.		
Compatible Dimmers	Clipsal: 31E2RUDM, 32E450UDM. HPM: Cat. 400T		
Weight	0.5kg		
Cut-out Size	Ø 90mm		
IP Rating	IP20 (for inside ceiling) IP40 (for below ceiling)		
Recessed Luminaire Classification	IC-4		
Dimensions	H:110mm Dia:100mm		
LED Driver Model #	Lucci LB-PD-2916-12.5W		

* The colour shifting function is designed to operate with a mechanical or relay ON/OFF switch, as well as selected semi-conductor ON/OFF switches, such as MFL Artisan or Lucci Power Dimmers with ON/OFF functionality outlined above. Please note the colour shifting function may not operate correctly on all semi-conductor switches.

** Rated lumens value based on white colour model. The lumens value may vary slightly for other colour models.