

## LEDLUX EXPRESS MINI DIMMABLE LED DOWNLIGHT

SKU# 170575, 170576

Rated Voltage 220-240V~ 50Hz

Thank you for purchasing this quality Lucci product. To ensure correct function and safety, please read and follow all instructions carefully before assembly, installation and use. Please keep instructions for future reference.

### Warranty

- This light fitting is covered by a 5 year warranty. The warranty is from date of purchase, not the date of installation. Please retain proof of purchase.
- The use of non-recommended dimmers may damage your LED light fitting and will void your warranty.
- Warranty will be void if there is any damage due to improper usage or modification to the fitting.
- Failure to comply with the instructions in this manual may increase the risk of damage or injury and will void warranty.

### Installation Requirements

- Before installation, check the installation location in the ceiling has access to a socket outlet which is connected to a wall light switch and dimmer. If it does not, please contact a licensed electrician to arrange installation of the socket outlet, wall light switch and dimmer before continuing.
- All wiring and installation of the light fitting must adhere to local and national wiring rules. eg. AS/NZS 3000:2007/Amendment 2:2012 Electrical installations. If unsure, please contact a licensed electrician.
- Select a suitable location for installation;
  - This product is suitable for indoor use only.
  - The mounting point must support 2 times the weight of the fitting.
  - Ensure the fitting is not installed in direct line of an air vent/system and is not placed in any moist or damp areas.
- This fitting is dimmable and has been tested with Lucci LEDlux SKU# 290998 dimmer, Clipsal 32E450TM, Clipsal 31E2RUDM and Clipsal 32E450UDM dimmers only. The use of a LED dimmer such as the Lucci LEDlux SKU# 290998 dimmer is highly recommended.

**NOTE:** For the best dimming range, use with the Lucci LEDlux SKU# 290998 dimmer and adjust the variable resistor at minimum and maximum dimming positions on the dimmer during the installation.

**NOTE:** The use of non-recommended dimmers may damage your LED light fitting and will void the warranty.

**NOTE:** Dimming may cause buzzing sounds or a slight flicker. There may be slight delays with the LED light start up or slight uneven light performance when more than one LED light fitting is linked together, switched ON or dimmed. This is not a product fault and as such is not covered under warranty.

**NOTE:** Some dimmers have a minimum load of 20W. Ensure the dimmer position is on the maximum setting before turning on the LED light and adjust the dimmer down to your desired light level.

- This fitting has an insulating ceiling type IC rating. Building insulation material can safely be exposed continuously to temperatures up to 90°C may abut and cover the luminaire. (Please refer to the Clearance **Information** section and the IC Rating section in this instruction manual for further **details**.)
- If loose fill insulation or thermal insulation is not fixed into position or if there is loose combustible materials (e.g. leaves or combustible materials stored in the roof space), a barrier or guard is required as per the Clearance Information section in this instruction manual.
- The LED driver must be placed at least 50mm away from the LED downlight module to allow for cooling.
- The LED driver must be placed above the insulation, DO NOT cover the driver with insulation to allow for cooling. (Please refer to the Clearance Information section in this instruction manual for further details.)
- The LED downlight module is only suitable for use with Lucci LED Driver model#: **QM-P12X1W-FR**.
- The fitting must not be used if the diffuser on the LED downlight module has been damaged or cracked.
- Take care not to pull any electrical wires during unpacking as this may damage the connection.

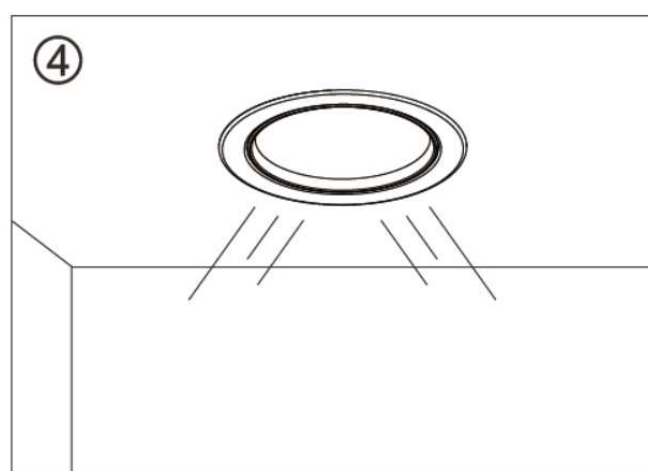
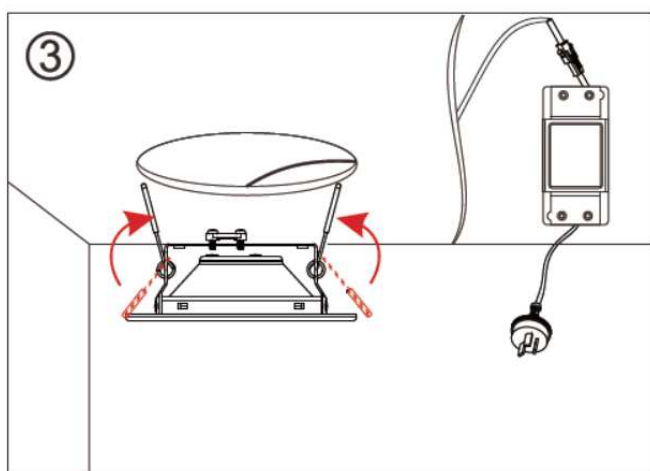
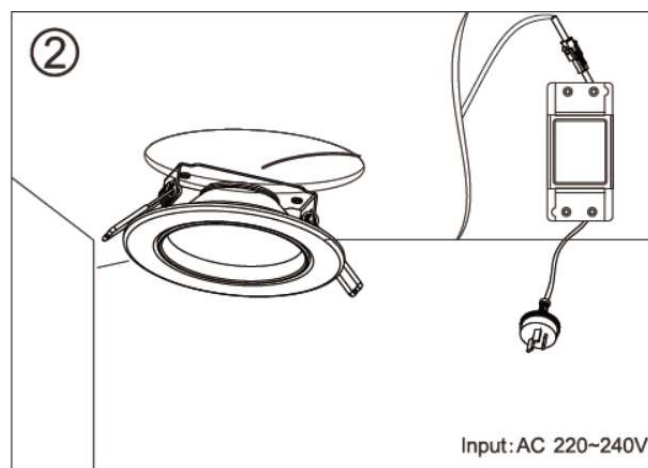
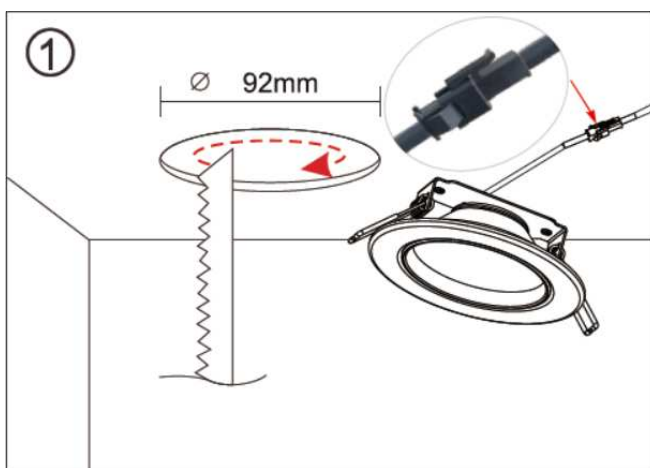
- Lay out all the components on a smooth surface and make sure there are no components missing before assembling. If parts are missing, return the complete product to the place of purchase for inspection or replacement.
- Check whether the fitting has been damaged during transport. Do not operate/install any product which appears damaged in any way. Return the complete product to the place of purchase for inspection, repair or replacement.
- Ensure power to the circuit you are working on has been switched OFF before commencing any electrical work.

## Installation Directions

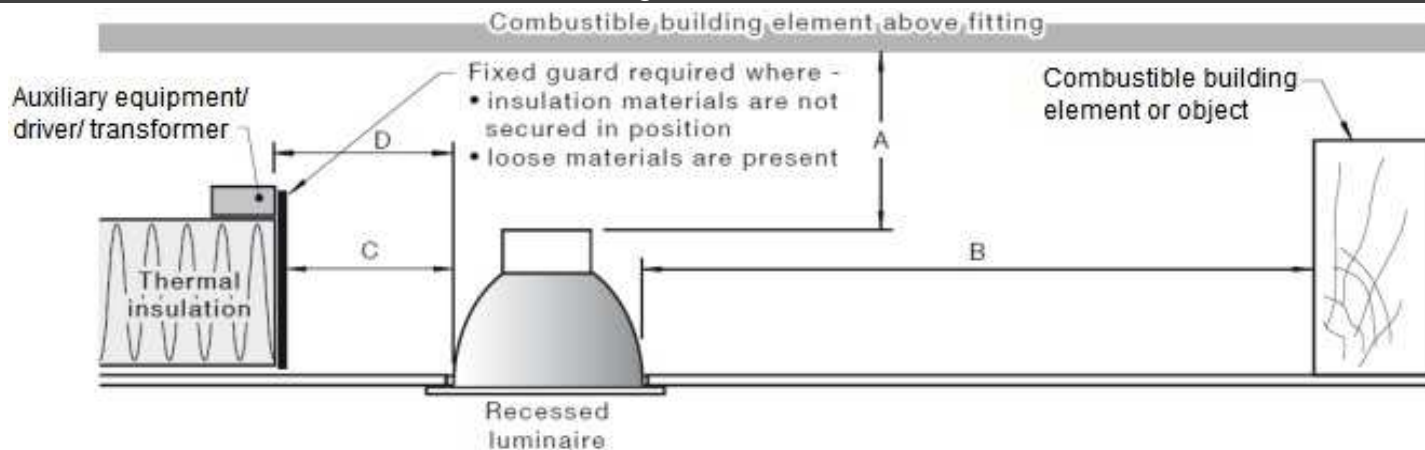
1. Remove all packaging material from the product and be careful not to throw away accessories that may be hidden within the packaging material.

**NOTE:** Before installation, plug the fitting into a socket outlet to ensure the LED downlight is working correctly.

2. Cut an installation hole of  $\varnothing 92\text{mm}$  into the ceiling (figure 1).
3. Join the connectors **together and** connect the fitting plug to the socket outlet. (figure 2).
4. Push the springs up and put the LED downlight module up through the cut-out hole and into the ceiling (figure 3).
5. Ensure all the clearance values are maintained during and after installation of the LED downlight module, LED driver, thermal insulation, loose fill insulation, loose combustible materials and any structural members.  
Please refer to the Clearance **Information** section and the IC section in this instruction manual for further details.
6. After the installation, switch on the fitting to test all the lighting functions and enjoy your new lighting product.



## Clearance Information – AS/NZS 3000 Wiring Rules



LOCATION	DISTANCE	DESCRIPTION
A	50 mm (Minimum)	Clearance between the top of the recessed luminaire and any combustible materials, building elements or objects above it.
B	50 mm (Minimum)	Clearance between the side of the recessed luminaire and any combustible materials, building elements or objects.
C	0 mm (Abutted)	Insulation can be abutted against the side of recessed luminaire as per CA 135 Rating. Insulation must not cover the luminaire. See CA 135 Rating section for more details.
D	50mm	Auxiliary equipment/driver/transformer must be placed 50mm away from the luminaire. It must be placed on top of thermal insulation and ensure it is not covered.

## IC Rating – Amendment A of AS/NZS 60598.2.2 (Insulation R-Value 3.5 for Australia)



standard.

1. A closed luminaire that allows building insulation to come into contact with its sides and to cover it;
2. Type IC recessed luminaire can be used together with building insulation that can safely be exposed continuously to temperatures up to 90°C may abut and cover the luminaire;  
Note: The insulation material must be glasswool insulation batts type, with maximum R-value 3.5.
3. The declared IC rating is based on the default testing ambient temperatures 25°C according to the

**RISK OF FIRE** – Required clearance from structural members and building elements  
 SCB = 50 mm                      HCB = 50 mm

### Safety tips

- Always ensure the power is OFF and the fitting has cooled down before performing any maintenance, cleaning or making any adjustment to the fitting.
- To avoid injury or damage to the fitting, ensure that power leads and screws are secure before connecting the power.
- Select a suitable location away from liquids and hazards.
- Ensure that the fitting does not come in contact with corrosive chemicals, etc.
- To clean, wipe with a damp clean cloth. Never soak the fitting with water.

Troubleshooting		
PROBLEM	POSSIBLE CAUSE	SUGGESTED SOLUTION
Does not work. (New installation)	Wiring loose or no power to the downlight.	Check your circuit breaker/safety switch box and turn on power to your circuit.
		Unplug the downlight and test in a functional socket outlet with power. If the downlight does not switch on then contact your nearest Beacon Lighting store. If the downlight is working, have your licensed electrician check the wiring or socket outlet to the downlight.
Does not work. (Existing installation)	No power to the downlight.	Check your circuit breaker/safety switch box and turn on power to your circuit.
		Contact your nearest Beacon Lighting store.
Flickers when dimming. (New installation)	Non-recommended dimmer used.	Check the dimmer used. Ensure the dimmer used is on the list of recommended dimmers in this manual.
	Some dimmers have a variable loading adjustment function. eg. Lucci LEDlux SKU# 290998 dimmer. This may not have been adjusted during the installation of the dimmer.	The variable resistor needs to be adjusted to suit the downlight load to reduce the flickering.
Flickers when dimming. (Existing installation)	Dimmer position on low.	Ensure the dimmer position is on the maximum setting before turning on the downlights and adjust the dimmer down to your desired light level.
Buzzing sound.	Non-recommended dimmer used.	Check the dimmer used. Ensure the dimmer used is on the list of recommended dimmers in this manual.
Uneven light start up.	Dimmer position on low when switched on.	Ensure the dimmer position is on the maximum setting before turning on the downlights and adjust the dimmer down to your desired light level.

## Specifications

SKU #	170575	170576
Rated Voltage	INPUT: 220-240V~ 50Hz, OUPUT: 33-40VDC, 0.3A, constant current,	
Rated Wattage	12W	
LED Specs	LG LED, 3000K, 800 lumens	LG LED, 4000K, 800 lumens
Dimmer Information	Lucci LEDlux SKU# 290998 dimmer (Highly Recommended) Clipsal 32E450TM, Clipsal 31E2RUDM, Clipsal 32E450UDM, (Compatible) (Please refer to the Installation Requirements or Troubleshooting section in this manual for more information on the recommended dimmers, performance, operation and tips.)	
Weight	0.27kg	
Cut-out Size	Φ92mm	
IP Rating	IP20	
Dimensions	D:120mm x H:49mm	
Serviceable Parts	LED downlight module and LED driver are both serviceable.	
LED Driver Model #	QM-P12X1W-FR	