

INFINITY BLUETOOTH LED DOWNLIGHT

SKU# 170620

Rated Voltage 220-240V~ 50Hz

Thank you for purchasing this quality Lucci product. To ensure correct function and safety, please read and follow all instructions carefully before assembly, installation and use of this luminaire. Please keep instructions for future reference.

Warranty

- This luminaire is covered by a 2 year warranty. The warranty is from date of purchase, not the date of installation. Please retain proof of purchase.
- This luminaire is not suitable for use with dimmer switches. Warranty will be void if the luminaire is used on the same circuit which has a dimmer switch.
- Warranty will be void if there is any damage due to improper usage or modification to the luminaire.
- Failure to comply with the instructions in this manual may increase the risk of damage or injury and will void warranty.

Installation Requirements

- Before installation, check the installation location in the ceiling has access to a socket outlet which is connected to a wall light switch. If it does not, please contact a licensed electrician to arrange installation of the socket outlet and wall light switch before continuing.
- All wiring and installation of the LED downlight must adhere to the latest local and national wiring rules. eg. AS/NZS 3000 electrical Installations. If unsure, please contact a licensed electrician.
- The LED downlight is rated IP44 only after it is fully installed, this must be maintained during installation. NOTE: The LED driver and the back part of the LED downlight module is rated IP20.
- Select a suitable location for installation:
 - The mounting point must support 2 times the weight of the LED downlight.
 - This LED downlight is suitable for indoor or outdoor use, provided that it is installed under cover or under eaves.
- This LED downlight has an insulating ceiling type IC-4 rating. Building insulation material can safely be exposed continuously to temperatures up to 90°C may abut and cover the luminaire. (Please refer to the Clearance Information section and the IC-4 Rating section in this instruction manual for further details.)
- If loose fill insulation or thermal insulation is not fixed into position or if there are loose combustible materials (e.g. leaves or combustible materials stored in the roof space), a barrier or guard is required as per the Clearance Information section in this instruction manual.
- The LED driver must be placed at least 100mm away from the LED downlight module to allow for cooling.
- The LED driver can be placed under the insulation. (Please refer to the Clearance Information section in this instruction manual for further details.)
- The LED downlight module is only suitable for use with Lucci LED Driver model#: **LB-PD-1661-11W**.
- The LED downlight must not be used if the diffuser on the LED downlight module has been damaged or cracked.
- Take care not to pull any electrical wires during unpacking as this may damage the connection.
- Lay out all the components on a smooth surface and make sure there are no components missing before assembling. If parts are missing, return the complete product to the place of purchase for inspection or replacement.
- Check whether the LED downlight has been damaged during transport. Do not operate/install any product which appears damaged in any way. Return the complete product to the place of purchase for inspection, repair or replacement.
- Ensure power to the circuit you are working on has been switched OFF before commencing any electrical work.
- The external flexible cable or cord of this luminaire cannot be replaced; if the cord is damaged, the luminaire shall be destroyed.

Installation Directions

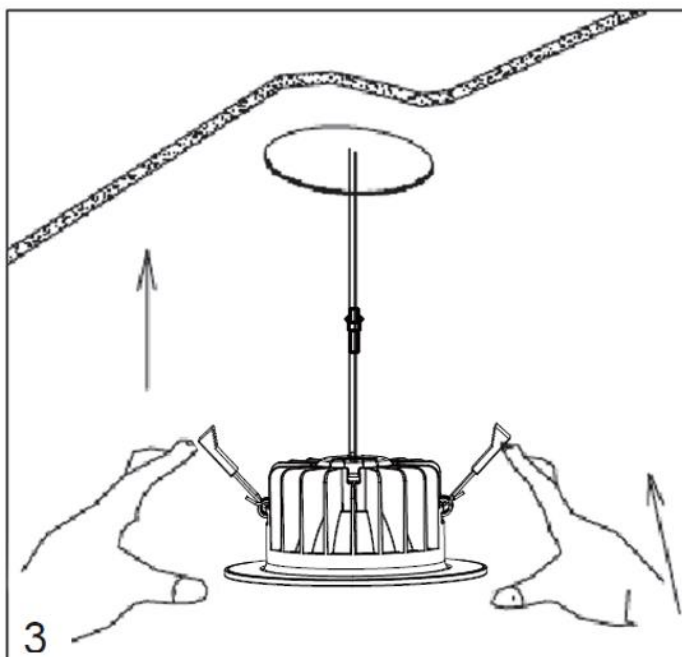
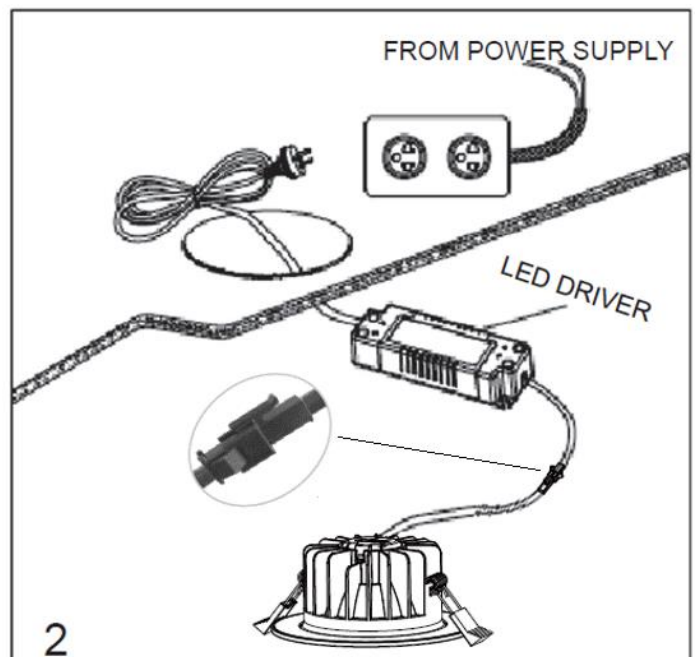
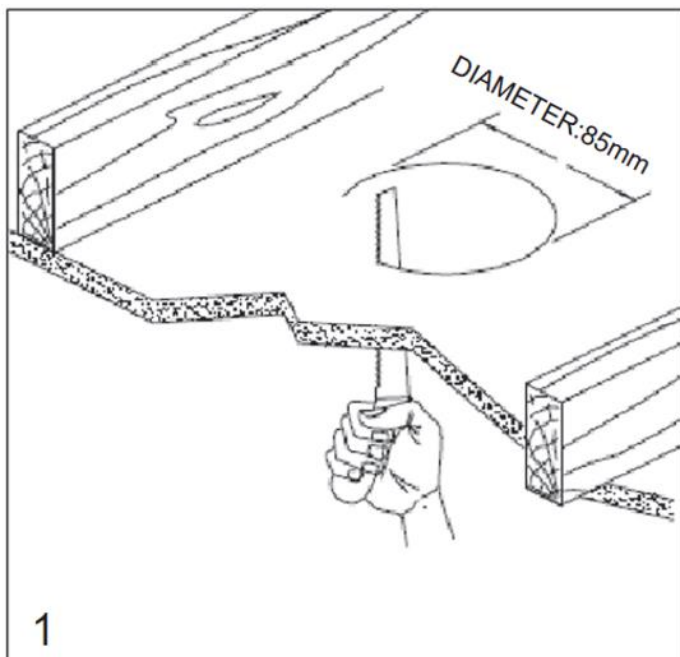
Remove all packaging material from the product and be careful not to throw away accessories that may be hidden within the packaging material.

NOTE: Before installation, plug the fitting into a socket outlet to ensure the LED luminaire is working correctly.

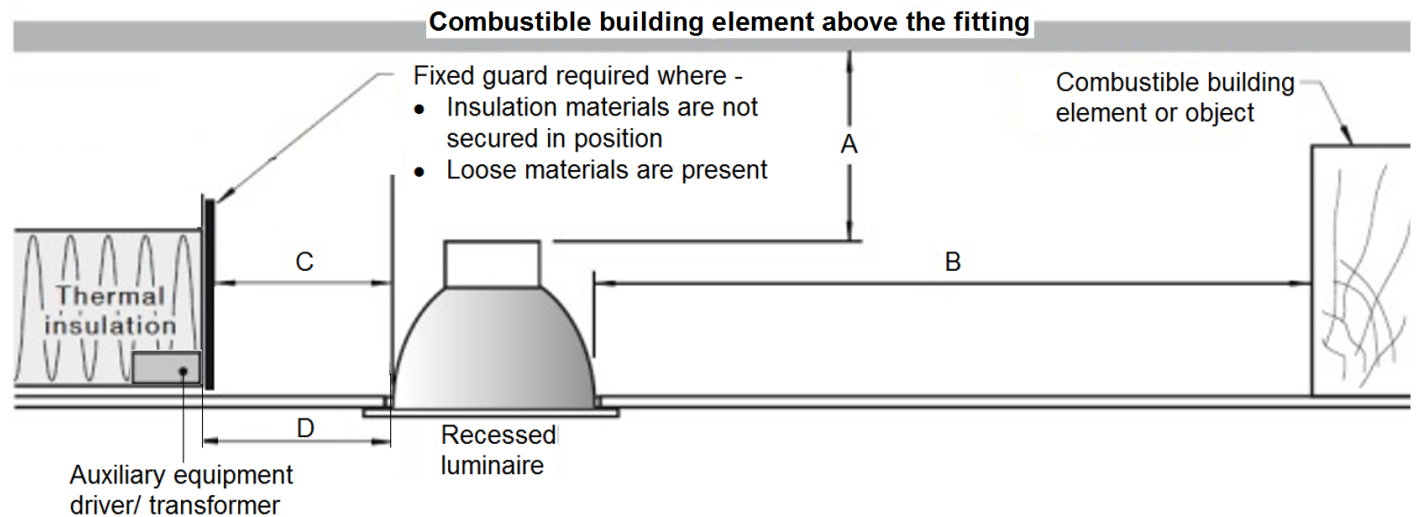
1. Cut an installation hole of \varnothing 85mm into the ceiling. (Fig.1).
2. Insert the luminaire plug into the socket outlet and ensure it is fully plugged. (Fig. 2).
3. Push the springs up and put the LED downlight module up through the cut-out hole and into the ceiling (Fig.3).
4. Ensure all the clearance values are maintained during and after installation of the LED downlight module, LED driver, thermal insulation, loose fill insulation, loose combustible materials and any structural members.

Please refer to the Clearance Information section and the IC-4 section in this instruction manual for further details.

5. After the installation, switch on the LED downlight and refer to Lucci Connect user guide for how to use this product.

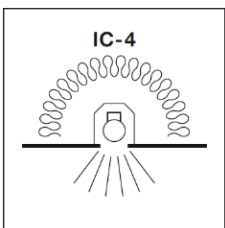


Clearance Information – AS/NZS 3000 Wiring Rules



LOCATION	DISTANCE	DESCRIPTION
A	50 mm (Minimum)	Clearance between the top of the recessed luminaire and any combustible materials, building elements or objects above it.
B	50 mm (Minimum)	Clearance between the side of the recessed luminaire and any combustible materials, building elements or objects.
C	0 mm (Abutted)	Insulation can be abutted against the side of recessed luminaire and covered as per IC-4 Rating. See IC-4 Rating section for more details.
D	100mm	Auxiliary equipment/driver/transformer must be placed 100mm away from the luminaire. It can be placed under the thermal insulation and covered.

IC Rating – AS/NZS 60598.2.2: 2016



1. A closed luminaire that allows building insulation to come into contact with its sides and to cover it.
2. Type IC-4 recessed luminaire can be used together with building insulation that can safely be exposed continuously to temperatures up to 90°C may abut and cover the luminaire;
3. The declared IC-4 rating is based on the default testing ambient temperatures 25°C according to the standard.

RISK OF FIRE – Required clearance from structural members and building elements
 SCB = 50 mm HCB = 50 mm

Safety tips

- Always ensure the power is OFF and the LED downlight has cooled down before performing any maintenance, cleaning or making any adjustment to the LED downlight.
- To avoid injury or damage to the LED downlight, ensure that power leads and screws are secure before connecting the power.
- Select a suitable location away from liquids and hazards.
- To clean, wipe with a soft damp clean cloth. Do NOT soak or immerse the product in water or other liquids.
- Ensure that the LED downlight does not come in contact with corrosive chemicals/solvents or abrasive cleaners etc.
- The light source contained in this luminaire shall only be replaced by the manufacturer or his service agent or a similar qualified person.

Specifications	
SKU #	170620
Colour	White
Rated Voltage	INPUT: 220-240V~ 50Hz, OUTPUT: 33-37VDC, 0.24A, constant current,
Rated Wattage	11W
LED Specs	LED, 2700K-6500K, 720 lumens
Weight	0.285kg
Cut-out Size	Ø 85mm
IP Rating	IP44 for LED downlight module, IP20 for whole fitting.
Dimensions	D:100mm x H:40mm
Serviceable Parts	LED downlight module and LED driver are both serviceable.
LED Driver Model #	LB-PD-1661-11W
System Requirement	Android 5.0 or higher, iOS 8 or higher