

THEO ROUND LED LIGHT

SKU# 170708, 170709, 170710, 170711

Rated Voltage 220-240V~ 50Hz

Thank you for purchasing this quality Lucci product. To ensure correct function and safety, please read and follow all instructions carefully before assembly, installation and use. Please keep instructions for future reference.

Warranty

- This light fitting is covered by a **3** year warranty. The warranty is from date of purchase, not the date of installation. Please retain proof of purchase.
- Warranty will be void if there is any damage due to improper usage or modification to the fitting.
- Failure to comply with the instructions in this manual may increase the risk of damage or injury and will void warranty.
- This fitting is not suitable for use with dimmer switches. Warranty will be void if the fitting is used on the same circuit which has a dimmer switch.

Installation Requirements

- Must be installed by a licensed electrician.
- All wiring and installation of the light fitting must adhere to local and national wiring rules. eg. AS/NZS 3000:2007/Amendment 2:2012 Electrical installations. If unsure, please contact a licensed electrician.
- Select a suitable location for installation:
 - The mounting point must support 2 times the weight of the fitting.
 - This product is suitable for indoor use only.
 - Ensure the fitting is not installed in direct line of an air vent/system and is not placed in any moist or damp areas.
When installing a fitting in an area prone to moisture, ensure that the area is well ventilated and an appropriately rated exhaust fan is used if required. Damage or corrosion caused by moisture is not a product fault, and as such is not covered under warranty.
- This fitting has an insulating ceiling type IC-4 rating. Building insulation material can safely be exposed continuously to temperatures up to 90°C may abut and cover the luminaire. (Please refer to the Clearance Information section and the IC-4 Rating section in this instruction manual for further details.)
- If loose fill insulation or thermal insulation is not fixed into position or if there are loose combustible materials (e.g. leaves or combustible materials stored in the roof space), a barrier or guard is required as per the Clearance Information section in this instruction manual.
- The LED driver must be placed at least 100mm away from the LED downlight module to allow for cooling.
- The LED driver can be placed under the insulation. (Please refer to the Clearance Information section in this instruction manual for further details.)
- The LED downlight module is only suitable for use with Lucci LED Driver **model#: MK-SP-0306 3~6W**
- The fitting must not be used if the diffuser on the LED downlight module has been damaged or cracked.
- Take care not to pull any electrical wires during unpacking as this may damage the connection.
- Lay out all the components on a smooth surface and make sure there are no components missing before assembling. If parts are missing, return the complete product to the place of purchase for inspection or replacement.
- Check whether the fitting has been damaged during transport. Do not operate/install any product which appears damaged in any way. Return the complete product to the place of purchase for inspection, repair or replacement.
- Ensure power to the circuit you are working on has been switched OFF before commencing any electrical work.

Installation Directions

1. Remove all packaging material from the product and be careful not to throw away accessories that may be hidden within the packaging material.
2. Cut an installation hole of $\varnothing 75\text{mm}$ into the installation area. (Figure 1).
3. Remove the terminal block cover by loosening the screws, connect the mains supply wire to the terminal block provided. Ensure that the wires are secure and no bare wires are exposed. (Figure 2).

Mains Supply Wire

Neutral – Blue or Black

Live – Brown or Red

Wiring Label

N (Neutral)

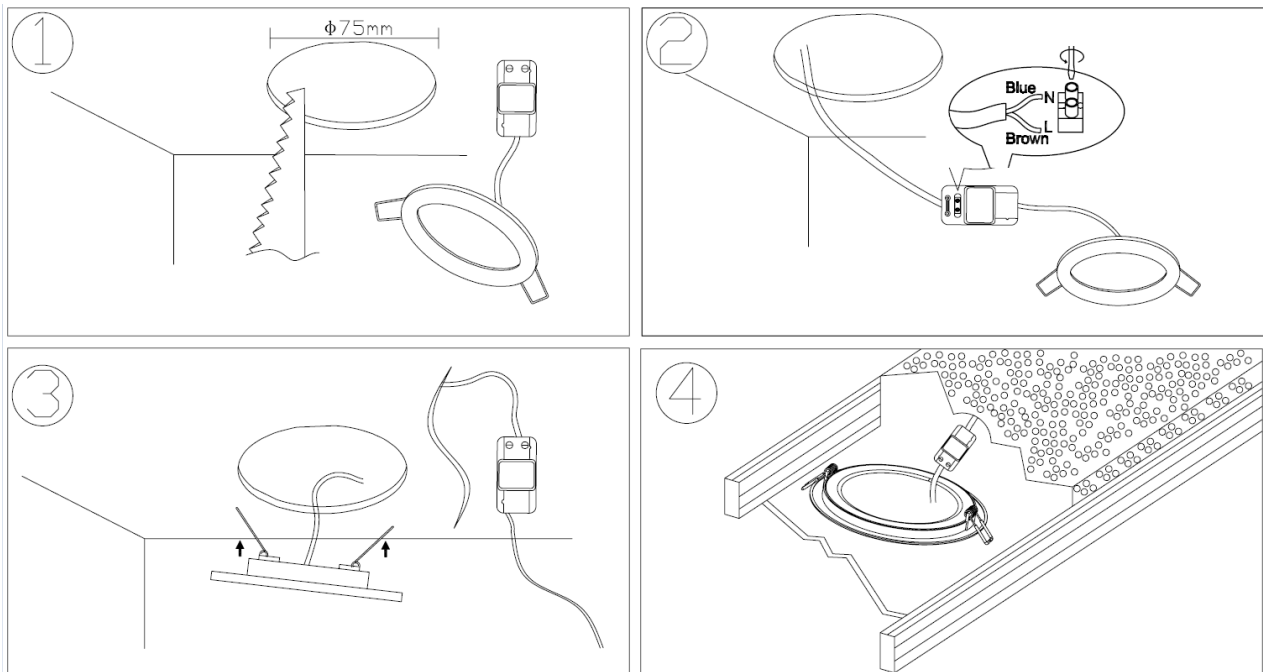
L (Live)

Secure back the terminal block cover.

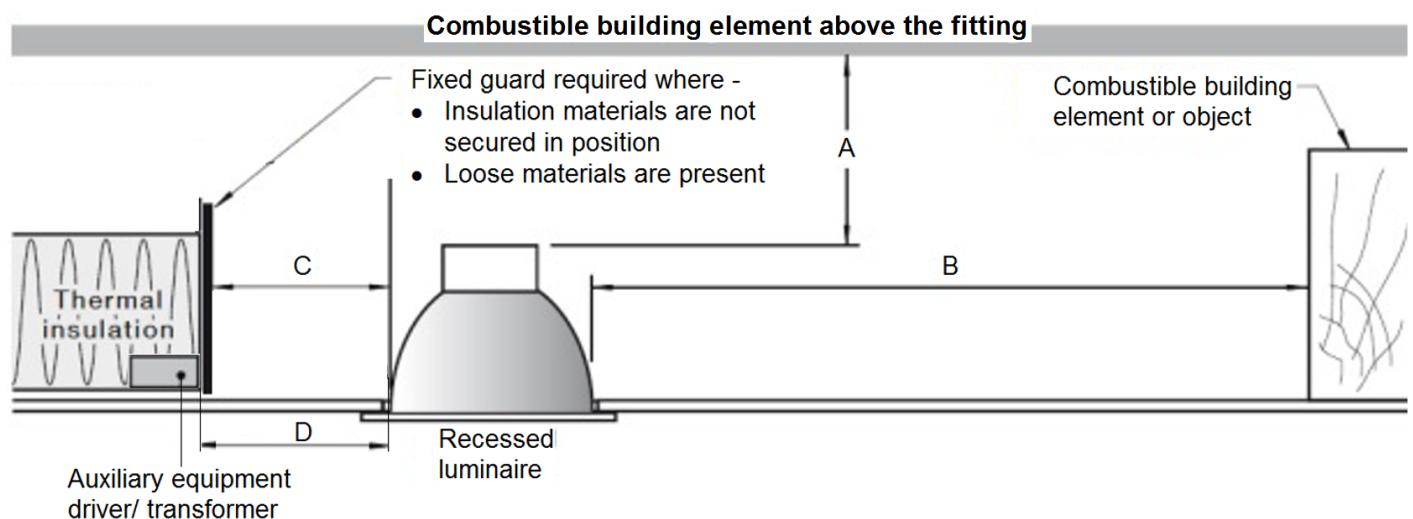
4. Push the springs up and put the LED module up through the cut-out hole and into the installation area (Figure 3).
5. Ensure all the clearance values are maintained during and after installation of the LED module, LED driver, thermal insulation, loose fill insulation, loose combustible materials and any structural members.

Please refer to the Clearance Information section and the IC-4 section in this instruction manual for further details.

6. After the installation, switch on the fitting to test all the lighting functions and enjoy your new lighting product.

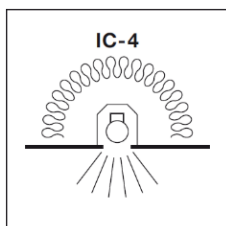


Clearance Information – AS/NZS 3000 Wiring Rules



LOCATION	DISTANCE	DESCRIPTION
A	50 mm (Minimum)	Clearance between the top of the recessed luminaire and any combustible materials, building elements or objects above it.
B	50 mm (Minimum)	Clearance between the side of the recessed luminaire and any combustible materials, building elements or objects.
C	0 mm (Abutted)	Insulation can be abutted against the side of recessed luminaire and covered as per IC-4 Rating. See IC-4 Rating section for more details.
D	100mm	Auxiliary equipment/driver/transformer must be placed 100mm away from the luminaire. It can be placed under the thermal insulation and covered.

IC Rating – AS/NZS 60598.2.2: 2016



1. A closed luminaire that allows building insulation to come into contact with its sides and to cover it.
2. Type IC-4 recessed luminaire can be used together with building insulation that can safely be exposed continuously to temperatures up to 90°C may abut and cover the luminaire;
3. The declared IC-4 rating is based on the default testing ambient temperatures 25°C according to the standard.

RISK OF FIRE – Required clearance from structural members and building elements
 SCB = 50 mm HCB = 50 mm

Safety tips

- Always ensure the power is OFF and the fitting has cooled down before performing any maintenance, cleaning or making any adjustment to the fitting.
- To avoid injury or damage to the fitting, ensure that power leads and screws are secure before connecting the power.
- Select a suitable location away from liquids and hazards.
- Ensure that the fitting does not come in contact with corrosive chemicals, etc.
- To clean, wipe with a damp clean cloth. Never soak the fitting with water.

Specifications

SKU #	170708	170709	170710	170711
Colour	White	Black	White	Black
Rated Voltage	INPUT: 220-240V~ 50Hz, OUPUT: 8-18VDC, 0.24A, constant current,			
Rated Wattage	3.5W			
LED Specs	Refond LED, 3000K, 120 lumens		Refond LED, 4000K, 130 lumens	
Weight	0.09kg			
Cut-out Size	Φ 75mm			
IP Rating	IP20			
Dimensions	D:85mm x H:20mm			
Serviceable Parts	LED downlight module and LED driver are both NOT serviceable.			
Driver Model #	MK-SP-0306 3~6W			