

## MFL CLICK TUBE LIGHT

SKU# 177080, 177081

Rated Voltage 220-240V~ 50Hz

Thank you for purchasing this quality MFL product. To ensure correct function and safety, please read and follow all instructions carefully before assembly, installation and use of this luminaire. Please keep instructions for future reference.

### Warranty

- This recessed luminaire is covered by a 5-year warranty valid for in-store replacement or refund only.
- The warranty period starts from the date of purchase, not the date of installation. Please retain the proof of purchase.
- The use of non-compatible dimmers may damage your recessed luminaire and will void your warranty.
- Warranty will be void if there is any damage due to improper usage or modification to the recessed luminaire.
- Failure to comply with the instructions in this manual may increase the risk of damage or injury and will void the warranty.

### Installation Requirements

- Before the installation, check the installation location in the ceiling has access to a socket outlet which is connected to a wall light switch and dimmer. If it does not, please contact a licensed electrician to arrange installation of the socket outlet, wall light switch and dimmer before continuing.
- All wiring and installation of the recessed luminaire must adhere to latest local and national wiring rules. E.g. AS/NZS 3000 Electrical installations. If unsure, please contact a licensed electrician.
- Select a suitable location for installation:
  - The minimum mounting depth is 280mm.
  - Only to be installed outside arms reach.
  - This recessed luminaire is suitable for indoor use only.
  - The mounting point must support 2 times the weight of the recessed luminaire.
  - Ensure the recessed luminaire is not installed in direct line of an air vent/system.
  - If installing the recessed luminaire in an area prone to moisture, ensure that the area is well ventilated, and an appropriately rated exhaust fan is used if required. Damage or corrosion caused by moisture is not a product fault, and as such is not covered under warranty.
- This recessed luminaire is dimmable and has been tested at the date of publication with the dimmers listed in the specification section. The use of a LED dimmer such as the Lucci LEDlux SKU# 290998 or SKU# 290997 dimmer is highly recommended.

**NOTE:** For the best dimming range, use with the Lucci LEDlux SKU# 290998 dimmer and adjust the variable resistor at minimum and maximum dimming positions on the dimmer during the installation.

**NOTE:** Dimming may cause buzzing sounds or a slight flicker. There may be slight delays with the LED light start up or slight uneven light performance when more than one LED light fitting is linked together, switched ON or dimmed. This is not a product fault and as such is not covered under warranty.

**NOTE:** Some dimmers have a minimum load of 20W. Ensure the dimmer position is on the maximum setting before turning on the LED light and adjust the dimmer down to your desired light level.

**NOTE:** Testing cannot account for installation variables such as variation in mains supply voltage, cable capacitance, electrical noise, transients, surges and ripple control signals (commonly found in NSW & QLD).

**NOTE:** The information provided is correct to the best of Beacon Lighting's knowledge at the date of publication.

- This recessed luminaire has an insulating ceiling type IC rating. Building insulation material can safely be exposed continuously to temperatures up to 90°C may abut and cover the luminaire. (Please refer to the Clearance Information section and the IC rating section in this instruction manual for further details.)

- If loose fill insulation or thermal insulation is not fixed into position or if there are loose combustible materials (e.g. leaves or combustible materials stored in the roof space), a barrier or guard is required as per the Clearance Information section in this instruction manual.
- The LED driver must be placed at least 100mm away from the LED tube light to allow for cooling.
- The LED driver can be placed under the insulation. (Please refer to the Clearance Information section in this instruction manual for further details.)
- The LED tube light is only suitable for use with the LED Driver model#: SK810-B-13230CN
- The recessed luminaire must not be used if the diffuser has been cracked or damaged.
- Take care not to pull any electrical wires during unpacking as this may damage the connection.
- Lay out all the components on a smooth surface and make sure no components are missing before assembling. If parts are missing, return the complete product to the place of purchase for inspection or replacement.
- Check whether the recessed luminaire has been damaged during transport. Do not operate/install any product which appears damaged in any way. Return the complete product to the place of purchase for inspection, repair or replacement.

## Installation Directions

- Ensure power to the circuit you are working on has been switched OFF before commencing any electrical work.
  - Remove all packaging material from the product and be careful not to throw away accessories that may be hidden within the packaging material.
- NOTE: Before installation, plug the recessed luminaire into a socket outlet to ensure it is working correctly.**
- This recessed luminaire is suitable for either a trim or trimless application:
    - For trim installation, refer to the installation directions and diagram on page 3.
    - For trimless installation, SKU# 177092 - Trimless Frame Kit is required and is sold separately. Refer to the installation directions and diagram on page 4.

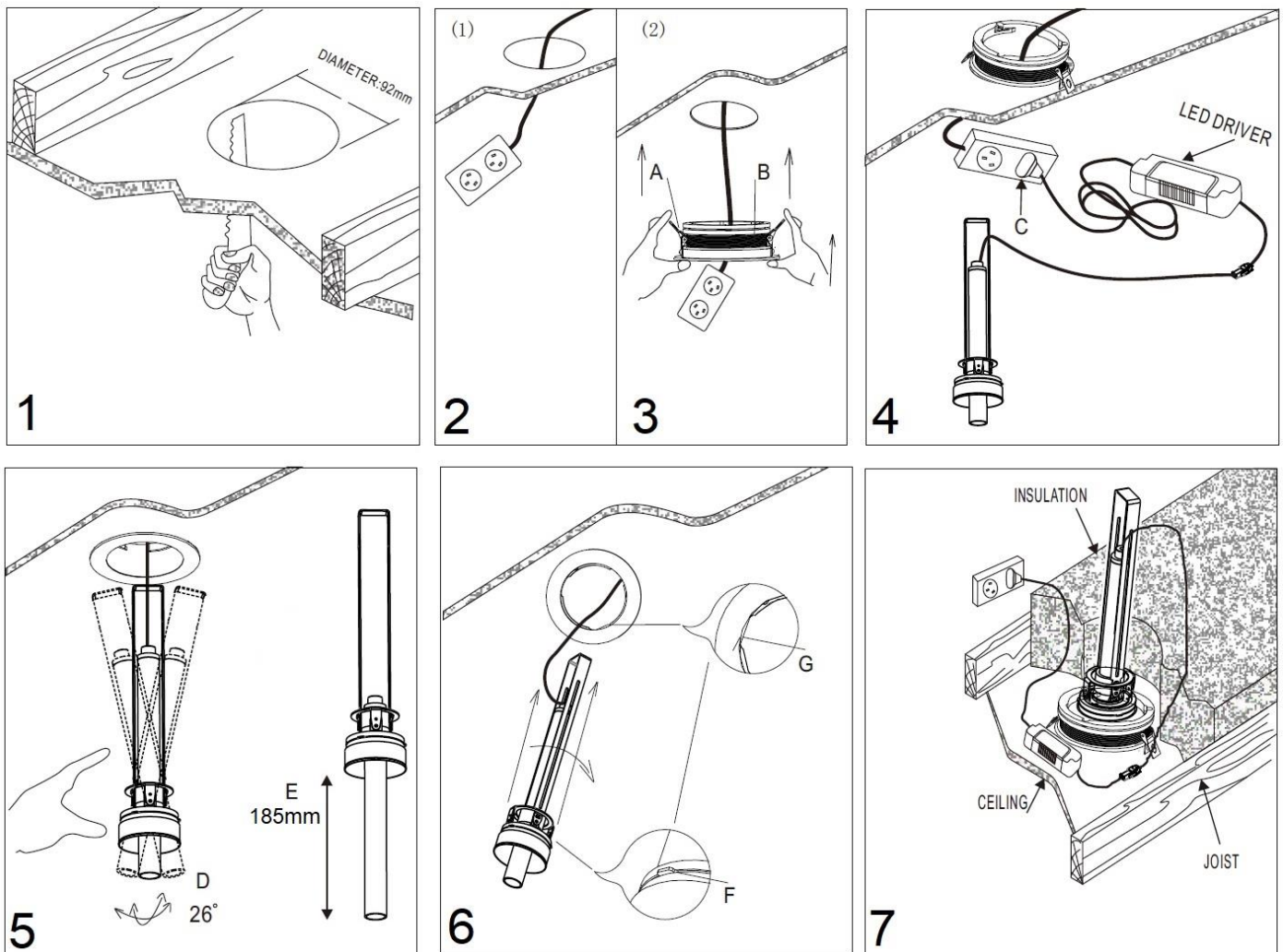
## **TRIM DOWNLIGHT INSTALLATION** (refer to the installation diagram below)

1. Cut an installation hole of Ø92mm into the ceiling. (Fig. 1)
2. Place the socket outlet in a location so it can be readily accessible for easier installation. (Fig. 2)
3. Press the springs (A) up and in towards the frame (B) and install the frame (B) into the cut-out hole. (Fig. 3)
4. Insert the luminaire plug (C) into the socket outlet and ensure it is fully plugged in. (Fig. 4)
5. Adjust the angle (D) and extension length (E) of the LED tube light before installation into the ceiling. (Fig.5)
 

**NOTE: Do not adjust the LED tube light more than 26° (D), as this may damage the joint or wiring.**

**NOTE: Do not extend the LED tube light more than 185mm (E), as this may damage the joint or wiring.**
6. Insert the LED driver through the frame (B) and into the ceiling.
7. Insert the LED tube light into the frame (B) and secure it by rotating the tabs (F) into the grooves (G) until it locks into position. (Fig. 6)
8. Ensure all the clearance values are maintained during and after installation of the LED tube light, LED driver, thermal insulation, loose fill insulation, loose combustible materials and any structural members. (Fig. 7)
 

**NOTE: Refer to the Clearance Information section and the IC section in this instruction manual for further details.**
9. After the installation, switch on the LED downlight to test all the lighting functions and enjoy your new LED downlight.



## **TRIMLESS DOWNLIGHT INSTALLATION (refer to the installation diagram below)**

SKU# 177092 - Trimless Frame Kit is required for installation, this is sold separately and contains Parts C & D.

1. Remove the trim (B) from the frame body (A). Install the trimless frame (D - not included, sold separately) and the ring (C - not included, sold separately) onto the frame body (A). (Fig.1)
2. Cut an installation hole of  $\varnothing 92\text{mm}$  into the ceiling. (Fig.2)
3. Place the socket outlet in a location so it can be readily accessible for easier installation. (Fig. 3)
4. Insert the trimless frame (D) into the ceiling and align with the installation hole. (Fig.3)
5. Secure the trimless frame (D) by installing two screws through the ceiling and allow the head to countersink into the plasterboard. (Fig. 4)
6. The screw heads should be countersunk into the plasterboard by 1-2mm. (Fig. 5)
7. Adjust the ring (C) so it is 1-2mm above the plaster board level. (Fig. 5)
8. Plaster the ceiling to cover the screw heads and the ring (C). Wait for it to dry (Fig. 6) Sand back the plaster until the surface is smooth. (Fig. 7) Repaint the ceiling. (Fig. 8)
9. Insert the luminaire plug into the socket outlet and ensure it is fully plugged in. (Fig. 9)
10. Insert the LED driver through the trimless frame (D) and into the ceiling.
11. Adjust the angle (E) and extension length (F) of the LED tube light before installation into the ceiling. (Fig.10)

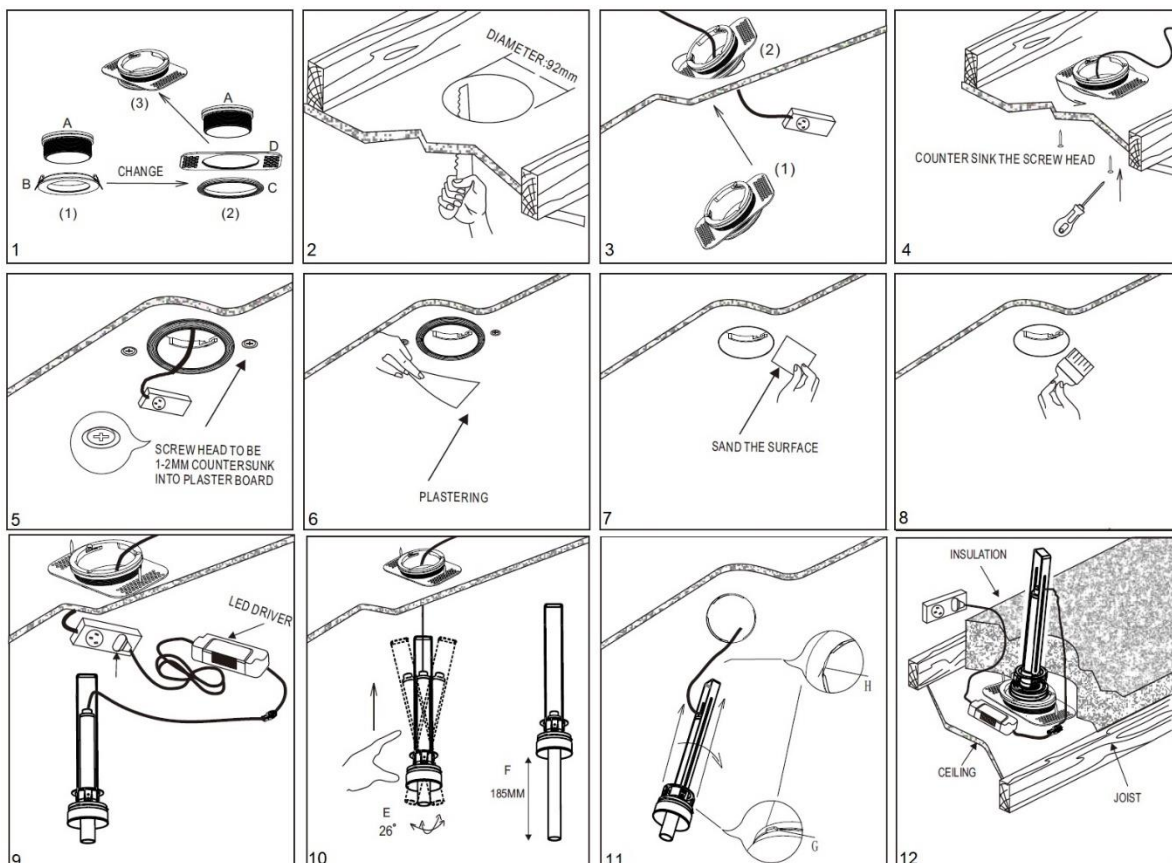
**NOTE: Do not adjust the LED tube light more than  $26^\circ$  (E), as this may damage the joint or wiring.**

**NOTE: Do not extend the LED tube light more than 185mm (F), as this may damage the joint or wiring**

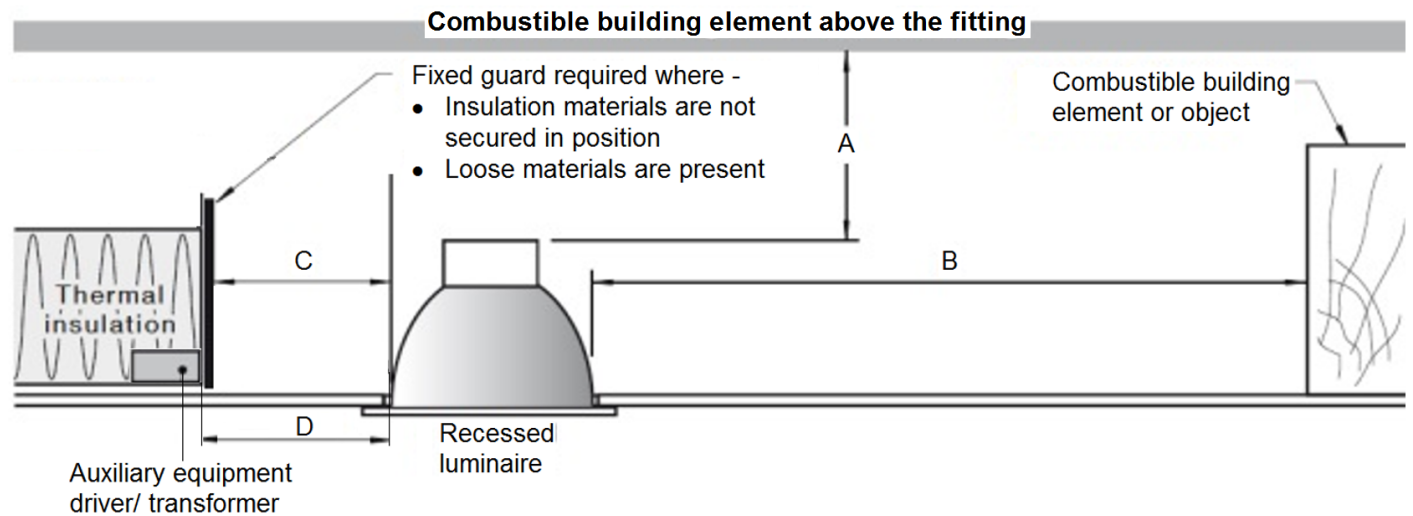
12. Insert the LED tube light into the trimless frame (D) and secure it by rotating the tabs (G) into the grooves (H) until it locks into position. (Fig. 11)
13. Ensure all the clearance values are maintained during and after installation of the LED tube light, LED driver, thermal insulation, loose fill insulation, loose combustible materials and any structural members. (Fig. 12)

**NOTE: Refer to the Clearance Information section and the IC section in this instruction manual for further details.**

11. After the installation, switch on the LED downlight to test all the lighting functions and enjoy your new LED downlight.

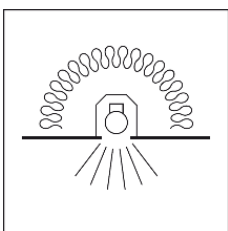


## Clearance Information – AS/NZS 3000 Wiring Rules



LOCATION	DISTANCE	DESCRIPTION
A	50 mm (Minimum)	Clearance between the top of the recessed luminaire and any combustible materials, building elements or objects above it.
B	50 mm (Minimum)	Clearance between the side of the recessed luminaire and any combustible materials, building elements or objects.
C	0 mm (Abutted)	Insulation can be abutted against the side of recessed luminaire and covered as per IC rating. See IC rating section for more details.
D	100mm	Auxiliary equipment/driver/transformer must be placed 100mm away from the luminaire. It can be placed under the thermal insulation and covered.

## IC Rating – AS/NZS 60598.2.2: 2016



1. A recessed luminaire that allows building insulation to come into contact with its sides and to cover it.
2. Type IC recessed luminaire can be used together with building insulation that can safely be exposed continuously to temperatures up to 90°C may abut and cover the luminaire.
3. The declared IC rating is based on the default testing ambient temperatures 25°C according to the standard.
4. The insulation material must be glass wool insulation batts type, with maximum R-value 5.0.

**RISK OF FIRE – Required clearance from structural members and building elements**  
 SCB = 50 mm                      HCB = 50 mm

## Safety Tips

- Always ensure the power is OFF and the recessed luminaire has cooled down before performing any maintenance, cleaning or making any adjustment.
- The external flexible cable or cord of this luminaire cannot be replaced; if the cable or cord is damaged, the luminaire shall be destroyed.
- The light source of the LED tube light is not replaceable; when the light source reaches its end of life the whole luminaire shall be replaced. There are no serviceable parts, do not attempt to dismantle or open the LED tube light.
- To avoid injury or damage to the luminaire, ensure that power leads and screws are secure before connecting the power.
- To clean, wipe with a soft damp clean cloth. Do NOT soak or immerse the product in water or other liquids.
- Ensure that the fitting does not come in contact with corrosive chemicals/solvents or abrasive cleaners etc.

Troubleshooting		
PROBLEM	POSSIBLE CAUSE	SUGGESTED SOLUTION
Does not work. (New installation)	Wiring loose or no power to the downlight.	Check your circuit breaker/safety switch box and turn on power to your circuit.
		Unplug the downlight and test in a functional socket outlet with power. If the downlight does not switch on then contact your place of purchase. If the downlight is working, have your licensed electrician check the wiring or socket outlet to the downlight.
Does not work. (Existing installation)	No power to the downlight.	Check your circuit breaker/safety switch box and turn on power to your circuit.
		Contact your place of purchase.
Flickers when dimming. (New installation)	Non-compatible dimmer used.	Check the dimmer used. Ensure the dimmer used is on the list of compatible dimmers in this manual.
	Some dimmers have a variable loading adjustment function. eg. Lucci LEDlux SKU# 290998 dimmer. This may not have been adjusted during the installation of the dimmer.	The variable resistor needs to be adjusted to suit the downlight load to reduce the flickering.
Flickers when dimming. (Existing installation)	Dimmer position on low.	Ensure the dimmer position is on the maximum setting before turning on the downlights and adjust the dimmer down to your desired light level.
Buzzing sound.	Non-compatible dimmer used.	Check the dimmer used. Ensure the dimmer used is on the list of compatible dimmers in this manual.
Uneven light start up.	Dimmer position on low when switched on.	Ensure the dimmer position is on the maximum setting before turning on the downlights and adjust the dimmer down to your desired light level.

Specifications		
<b>SKU #</b>	177080	177081
<b>Rated Voltage</b>	220-240V~ 50Hz,	
<b>Rated Wattage</b>	10W	
<b>LED Specs</b>	Cree LEDs, Dimmable, 700 lumens, 3000K, CRI > 90	Cree LEDs, Dimmable, 750 lumens, 4000K, CRI > 90
<b>Dimmer Information: Highly Recommended</b>	Lucci LEDlux SKU# 290998, SKU# 290997	
<b>Dimmer Information: Compatible</b>	BUSTER+ PUNCH: DIM-002 DIGINET LED Smart: MEDM Clipsal: 31E2PUDM, 32E450UDM, 32E450TM, 31E2RUDM and 32ELEDM; HPM: Cat. 400T LUMEX Load Smart: LT1D450LS	
<b>LED Drive Model#</b>	SK810-B-13230CN	
<b>Weight</b>	0.5kg	
<b>Cut-out Size</b>	Ø 92mm	
<b>IP Rating</b>	IP20	
<b>Recessed Luminaire Classification</b>	IC	
<b>Mounting Depth</b>	Minimum 280mm	
<b>Dimensions</b>	H:305mm Dia:100mm	