

CLICK COB SPOT LIGHT

SKU# 177089, 177090

Rated Voltage 220-240V~ 50Hz

Thank you for purchasing this quality MFL product. To ensure correct function and safety, please read and follow all instructions carefully before assembly, installation and use of this luminaire. Please keep instructions for future reference.

Warranty

- This luminaire is covered by a 5 year warranty. The warranty is from date of purchase, not the date of installation. Please retain proof of purchase.
- The use of non-compatible dimmers may damage your LED luminaire and will void your warranty.
- Warranty will be void if there is any damage due to improper usage or modification to the luminaire.
- Failure to comply with the instructions in this manual may increase the risk of damage or injury and will void warranty.

Installation Requirements

- Before installation, check the installation location in the ceiling has access to a socket outlet which is connected to a wall light switch and dimmer. If it does not, please contact a licensed electrician to arrange installation of the socket outlet, wall light switch and dimmer before continuing.
- All wiring and installation of the luminaire must adhere to the latest local and national wiring rules. eg. AS/NZS 3000 electrical Installations. If unsure, please contact a licensed electrician.
- Select a suitable location for installation:
 - The mounting point must support 2 times the weight of the luminaire.
 - This luminaire is suitable for indoor use.
 - Ensure the luminaire is not installed in direct line of an air vent/system.
 - If installing a luminaire in an area prone to moisture, ensure that the area is well ventilated and an appropriately rated exhaust fan is used if required. Damage or corrosion caused by moisture is not a product fault, and as such is not covered under warranty.
- This luminaire is dimmable and has been tested at the date of publication with the dimmers listed in the specification section. The use of a LED dimmer such as the Lucci LEDlux SKU# 290998 or SKU# 290997 dimmer is highly recommended.

NOTE: For the best dimming range, use with the Lucci LEDlux SKU# 290998 dimmer and adjust the variable resistor at minimum and maximum dimming positions on the dimmer during the installation.

NOTE: Dimming may cause buzzing sounds or a slight flicker. There may be slight delays with the LED light start up or slight uneven light performance when more than one LED luminaire is linked together, switched ON or dimmed. This is not a product fault and as such is not covered under warranty.

NOTE: Some dimmers have a minimum load of 20W. Ensure the dimmer position is on the maximum setting before turning on the LED light and adjust the dimmer down to your desired light level.

NOTE: Testing cannot account for installation variables such as variation in mains supply voltage, cable capacitance, electrical noise, transients, surges and ripple control signals (commonly found in NSW & QLD).

NOTE: The information provided is correct to the best of Beacon Lighting's knowledge at the date of publication.

- This luminaire has an insulating ceiling type IC-4 rating. Building insulation material can safely be exposed continuously to temperatures up to 90°C may abut and cover the luminaire. (Please refer to the Clearance Information section and the IC-4 Rating section in this instruction manual for further details).
- If loose fill insulation or thermal insulation is not fixed into position or if there are loose combustible materials (e.g. leaves or combustible materials stored in the roof space), a barrier or guard is required as per the Clearance Information section in this instruction manual.
- The LED driver must be placed at least 100mm away from the LED module to allow for cooling.
- The LED driver can be placed under the insulation. (Please refer to the Clearance Information section in this instruction manual for further details.)

- The LED module is only suitable for use with the LED Driver model#: SK810-B-13280CN
- Take care not to pull any electrical wires during unpacking as this may damage the connection.
- Lay out all the components on a smooth surface and make sure there are no components missing before assembling. If parts are missing, return the complete product to the place of purchase for inspection or replacement.
- Check whether the luminaire has been damaged during transport. Do not operate/install any product which appears damaged in any way. Return the complete product to the place of purchase for inspection, repair or replacement.
- Ensure power to the circuit you are working on has been switched OFF before commencing any electrical work.

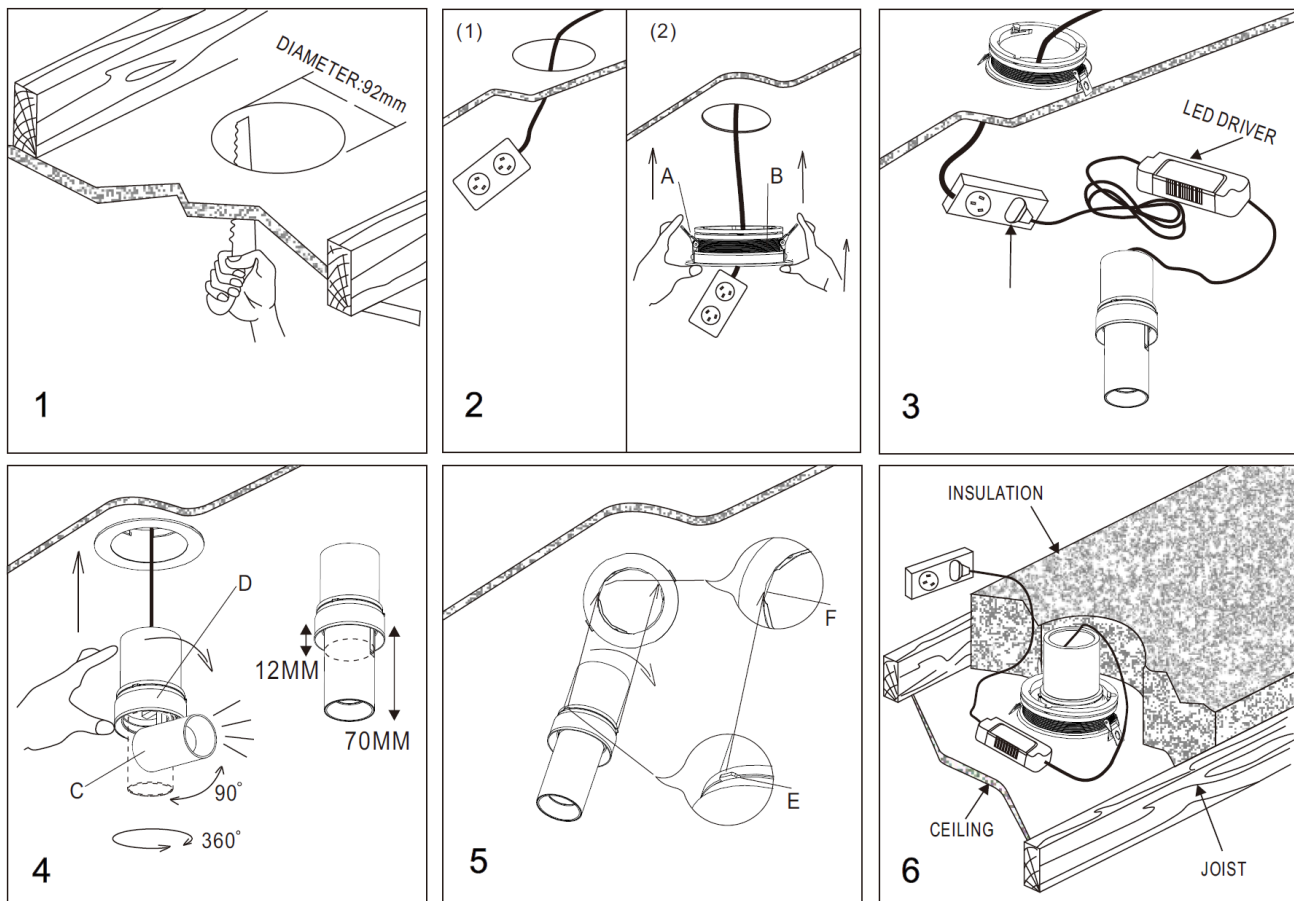
Installation Directions

Remove all packaging material from the product and be careful not to throw away accessories that may be hidden within the packaging material.

NOTE: Before installation, plug the fitting into a socket outlet to ensure the LED luminaire is working correctly.

TRIM SPOT LIGHT INSTALLATION

1. Cut an installation hole of $\varnothing 92\text{mm}$ into the ceiling. Fig.1
2. Ensure the socket outlet can be readily accessible for easier installation. Fig.2
3. Press the springs (A) up and in towards the frame (B) and install the frame (B) into the cut-out hole. Fig.2
4. Insert the luminaire plug into the socket outlet and ensure it is fully plugged in. Fig.3
5. Insert the LED driver through the frame (B) and into the ceiling. Insert the LED module (D) into the frame (B) and secure it by rotating the tabs (E) into the grooves (F) until it locks into position. Fig.4, Fig.5
6. Ensure all the clearance values are maintained during and after installation of the LED module (D), LED driver, thermal insulation, loose fill insulation, loose combustible materials and any structural members. Fig. 6
Please refer to the Clearance Information section and the IC-4 section in this instruction manual for further details.
7. Hold the LED module (D) to pull the LED head (C) out. Rotate and tilt the LED head (C) to your preferred lighting angle. Do not exceed the maximum angle show in Fig.4
8. After the installation, switch on the luminaire to test and enjoy your new lighting product.



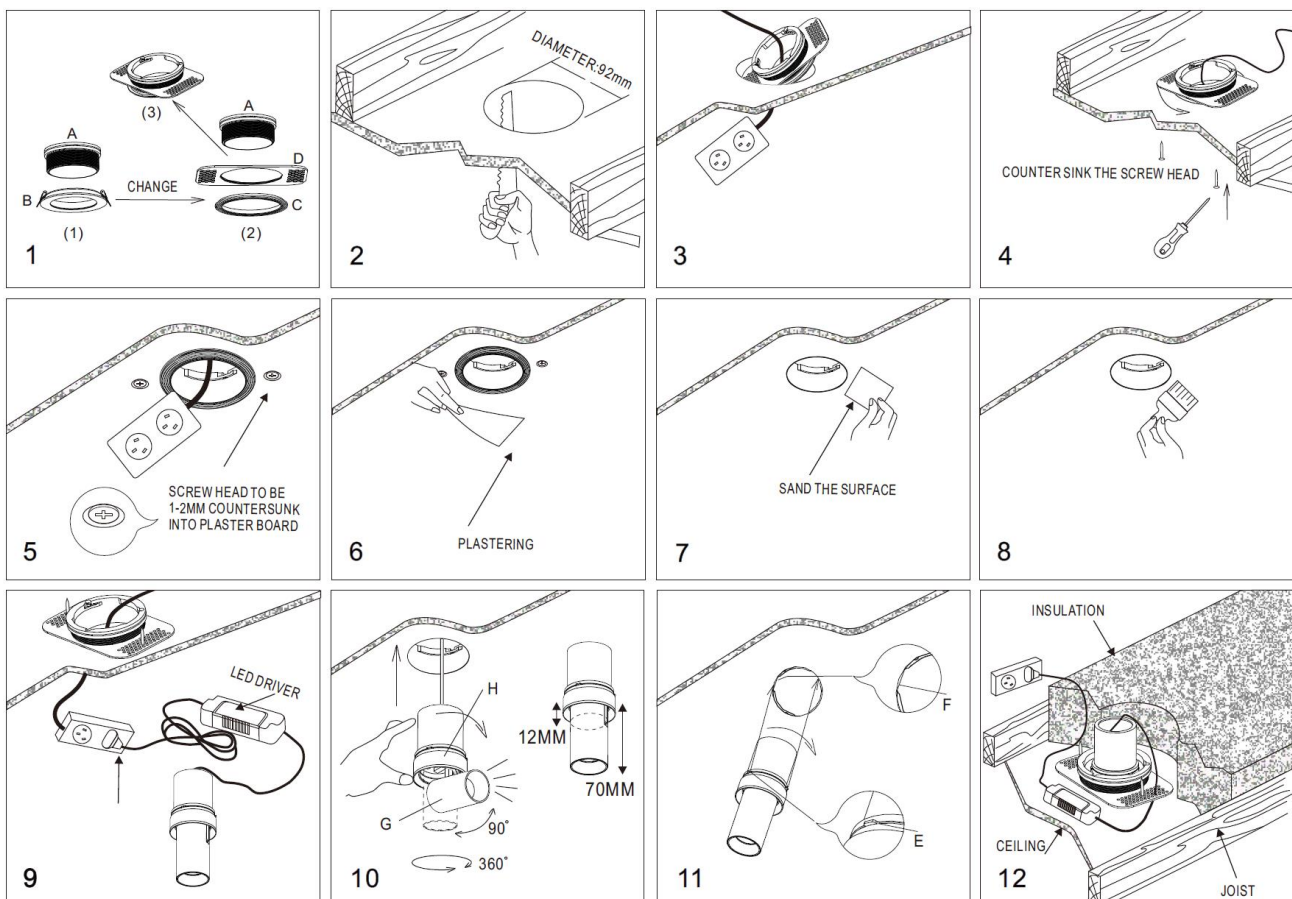
TRIMLESS SPOT LIGHT INSTALLATION

SKU# 177092 - Trimless Frame Kit is required for installation, this is sold separately and contains Parts C & D

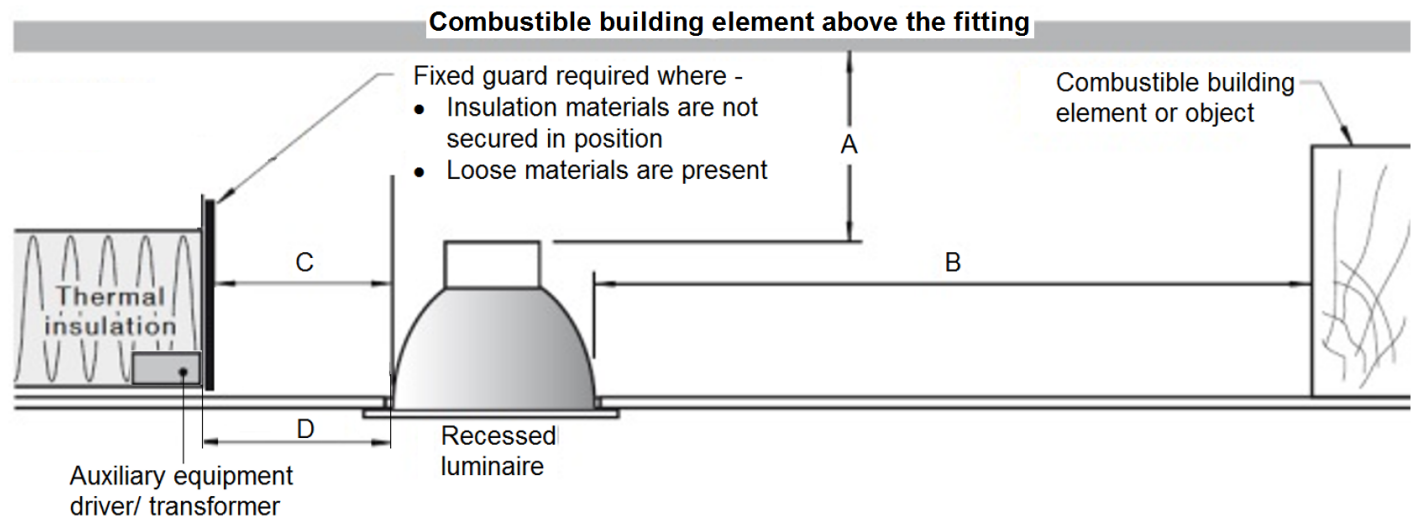
1. Remove the trim (B) from the frame body (A). Install the trimless frame (D - not included, sold separately) and the ring (C - not included, sold separately) onto the frame body (A). Fig.1
2. Cut an installation hole of Ø 92mm into the ceiling. Fig.2
3. Ensure the socket outlet can be readily accessible for easier installation. Insert the trimless frame (D) into the ceiling and align with the installation hole. Fig. 3
4. Secure the trimless frame (D) by installing two screws through the ceiling and allow the head to countersink into the plasterboard. Fig. 4 The screw heads should be countersunk into the plasterboard by 1-2mm. Fig. 5
5. Adjust the ring (C) so it is 1-2mm above the plaster board level.
6. Plaster the ceiling to cover the screw heads and the ring (C). Wait for it to dry Fig. 6 Sand back the plaster until the surface is smooth Fig. 7 Repaint the ceiling Fig. 8
7. Insert the luminaire plug into the socket outlet and ensure it is fully plugged in. Fig.9
8. Pull the spot light (G) out from the lamp module (H) for easier installation and adjustment. Insert the LED driver through the trimless frame (D) and into the ceiling. Fig. 10
9. Insert the lamp module (H) into the trimless frame (D) and secure it by rotating the tabs (E) into the grooves (F) until it locks into position. Fig.11
10. Ensure all the clearance values are maintained during and after installation of the LED module (H), LED driver, thermal insulation, loose fill insulation, loose combustible materials and any structural members. Fig. 12
Please refer to the Clearance Information section and the IC-4 section in this instruction manual for further details.
11. Rotate and tilt the LED head (G) to your preferred angle.

NOTE: When adjusting the LED head (G), do not tilt more than 90° and do not rotate more than 360° as this may damage the internal wiring or the knuckle joint. Fig.10

12. After the installation, switch on the luminaire to test and enjoy your new lighting product.

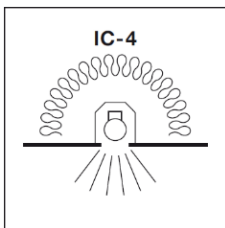


Clearance Information – AS/NZS 3000 Wiring Rules



LOCATION	DISTANCE	DESCRIPTION
A	50 mm (Minimum)	Clearance between the top of the recessed luminaire and any combustible materials, building elements or objects above it.
B	50 mm (Minimum)	Clearance between the side of the recessed luminaire and any combustible materials, building elements or objects.
C	0 mm (Abutted)	Insulation can be abutted against the side of recessed luminaire and covered as per IC-4 Rating. See IC-4 Rating section for more details.
D	100mm	Auxiliary equipment/driver/transformer must be placed 100mm away from the luminaire. It can be placed under the thermal insulation and covered.

IC Rating – AS/NZS 60598.2.2 : 2016



1. A closed luminaire that allows building insulation to come into contact with its sides and to cover it.
2. Type IC-4 recessed luminaire can be used together with building insulation that can safely be exposed continuously to temperatures up to 90°C may abut and cover the luminaire;
3. The declared IC-4 rating is based on the default testing ambient temperatures 25°C according to the standard.
4. The insulation material must be glass wool insulation batts type, with maximum R-value 5.0.

RISK OF FIRE – Required clearance from structural members and building elements
 SCB = 50 mm HCB = 50 mm

Safety Tips

- Always ensure the power is OFF and the luminaire has cooled down before performing any maintenance, cleaning or making any adjustment to the luminaire.
- To avoid injury or damage to the luminaire, ensure that power leads and screws are secure before connecting the power.
- Select a suitable location away from liquids and hazards.
- To clean, wipe with a soft damp cloth. Do NOT soak or immerse the product in water or other liquids.
- Ensure that the luminaire does not come in contact with corrosive chemicals/solvents or abrasive cleaners etc.
- The light source in this luminaire is not replaceable; when the luminaire reaches its end of life the whole luminaire shall be replaced.

Troubleshooting		
PROBLEM	POSSIBLE CAUSE	SUGGESTED SOLUTION
Does not work. (New installation)	Wiring loose or no power to the downlight.	Check your circuit breaker/safety switch box and turn on power to your circuit.
		Unplug the downlight and test in a functional socket outlet with power. If the downlight does not switch on then contact your nearest Beacon Lighting store. If the downlight is working, have your licensed electrician check the wiring or socket outlet to the downlight.
Does not work. (Existing installation)	No power to the downlight.	Check your circuit breaker/safety switch box and turn on power to your circuit.
		Contact your nearest Beacon Lighting store.
Flickers when dimming. (New installation)	Non-compatible dimmer used.	Check the dimmer used. Ensure the dimmer used is on the list of compatible dimmers in this manual.
	Some dimmers have a variable loading adjustment function. eg. Lucci LEDlux SKU# 290998 dimmer. This may not have been adjusted during the installation of the dimmer.	The variable resistor needs to be adjusted to suit the downlight load to reduce the flickering.
Flickers when dimming. (Existing installation)	Dimmer position on low.	Ensure the dimmer position is on the maximum setting before turning on the downlights and adjust the dimmer down to your desired light level.
Buzzing sound.	Non-compatible dimmer used.	Check the dimmer used. Ensure the dimmer used is on the list of compatible dimmers in this manual.
Uneven light start up.	Dimmer position on low when switched on.	Ensure the dimmer position is on the maximum setting before turning on the downlights and adjust the dimmer down to your desired light level.

Specifications		
SKU #	177089	177090
Colour	White	
Rated Voltage	INPUT: 200-250V~ 50Hz, OUTPUT: 25-42VDC, 0.28A, constant current,	
Rated Wattage	12W	
LEDSpecs	Luminus LED, 3000K, 700 lumens	Luminus LED, 4000K, 750 lumens
Weight	0.7kg	
Cut-out Size	Ø 92mm	
IP Rating	IP40	
Dimensions	H: Max.170mm W: Max.130mm	
LED Driver Model #	SK810-B-13280CN	
Dimmer Information	Highly Recommended Dimmers	Compatible Dimmers
	Lucci LEDlux SKU# 290998, SKU#290997	LUMEX Load Smart LT1D450LS; DIGINET LED Smart MEDM; Clipsal 31E2RUDM, 32E450TM, 32E450UDM, 31E2PUDM and 32ELEDM; HPM: Cat. 400T