

CLICK BLANK KIT

SKU#177099

Thank you for purchasing this quality MFL product. To ensure correct function and safety, please read and follow all instructions carefully before assembly, installation and use. Please keep instructions for future reference.

Warranty

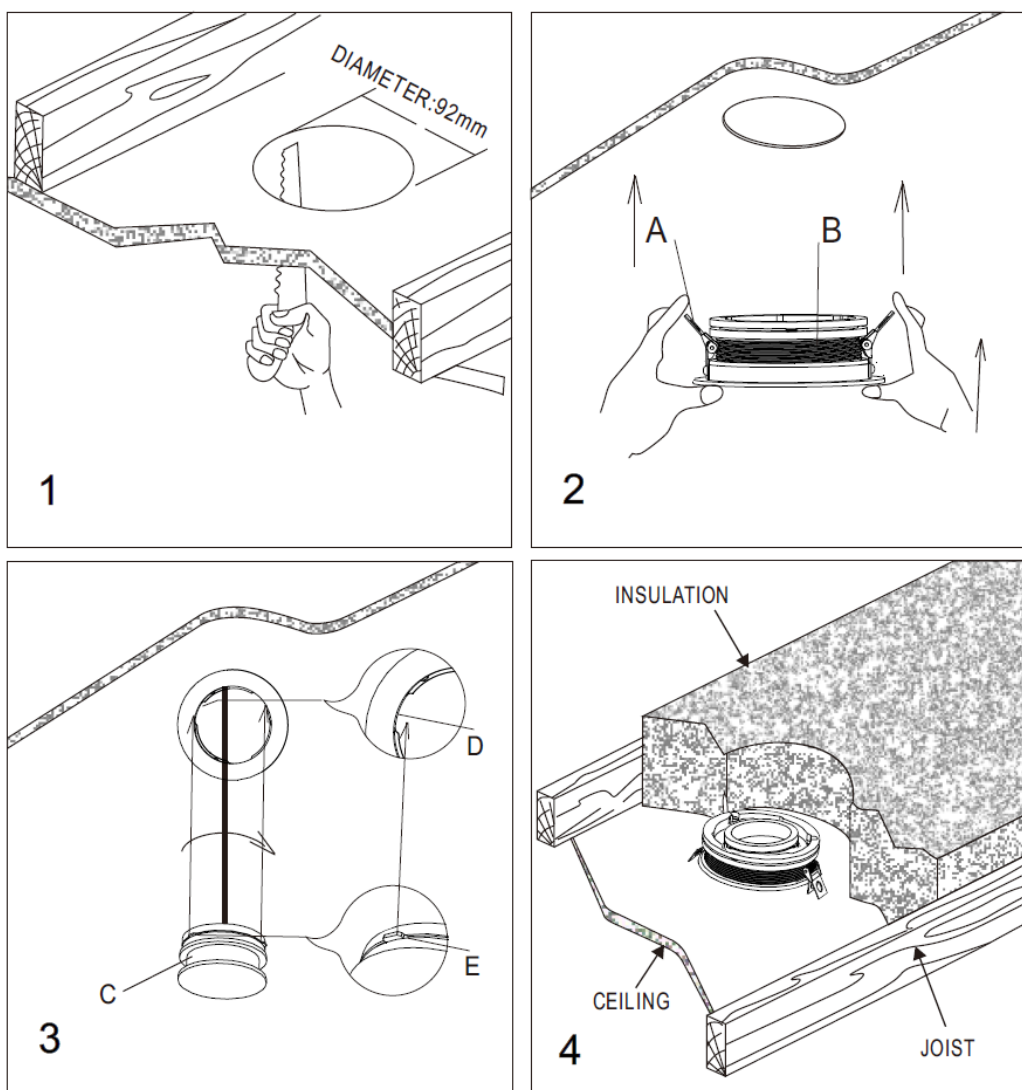
- This luminaire is covered by a 5 year warranty. The warranty is from date of purchase, not the date of installation. Please retain proof of purchase.

Installation Directions

Remove all packaging material from the product and be careful not to throw away accessories that may be hidden within the packaging material.

TRIM BLANK KIT INSTALLATION

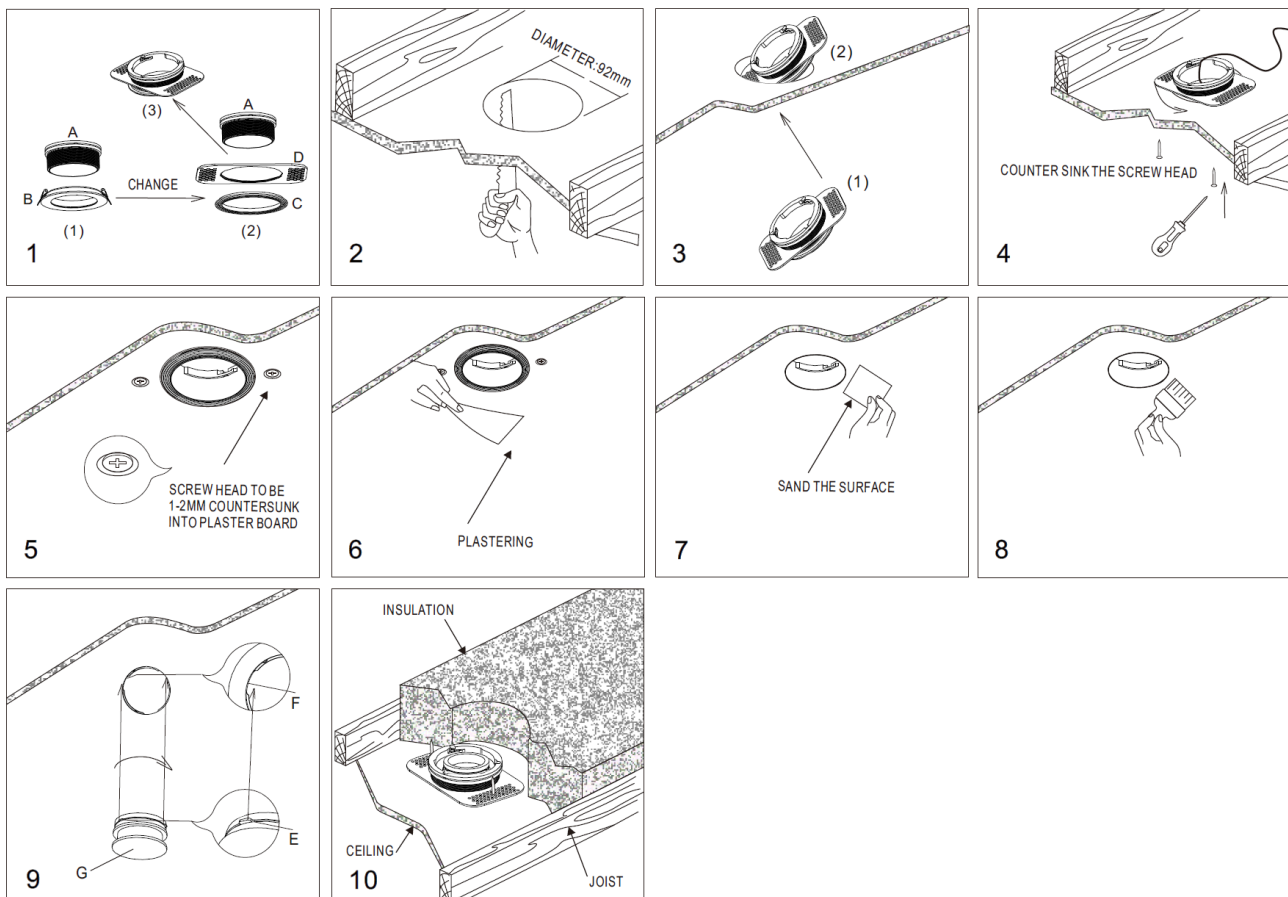
1. Cut an installation hole of $\varnothing 92\text{mm}$ into the ceiling. Fig.1
2. Press the springs (A) up and in towards the frame (B) and install the frame (B) into the cut-out hole. Fig.2
3. Insert the blank kit (C) into the frame (B) and secure it by rotating the tabs (E) into the grooves (D) until it locks into position. Fig.3



TRIMLESS BLANK KIT INSTALLATION

SKU# 177092 - Trimless Frame Kit is required for installation, this is sold separately and contains Parts C & D.

1. Remove the trim (B) from the frame body (A). Install the trimless frame (D - not included, sold separately) and the ring (C - not included, sold separately) onto the frame body (A). Fig.1
2. Cut an installation hole of \varnothing 92mm into the ceiling. Fig.2
3. Ensure the socket outlet can be readily accessible for easier installation. Insert the trimless frame (D) into the ceiling and align with the installation hole. Fig.3
4. Secure the trimless frame (D) by installing two screws through the ceiling and allow the head to countersink into the plasterboard. Fig. 4 The screw heads should be countersunk into the plasterboard by 1-2mm. Fig. 5
5. Adjust the ring (C) so it is 1-2mm above the plaster board level.
6. Plaster the ceiling to cover the screw heads and the ring (C). Wait for it to dry Fig. 6 Sand back the plaster until the surface is smooth Fig. 7 Repaint the ceiling Fig. 8
7. Insert the blank kit (G) into the trimless frame (D) and secure it by rotating the tabs (E) into the grooves (F) until it locks into position. Fig.9



Specifications	
SKU #	177099
Colour	White
Weight	0.26kg
Cut-out Size	\varnothing 92mm
Dimensions	H: 35mm Dia: 100mm