

## ZESTA COLOUR SHIFTING DIMMABLE DOWNLIGHT

SKU# 178260;178261; 178262; 178263

Rated Voltage 220-240V~ 50Hz

Thank you for purchasing this quality Lucci product. To ensure correct function and safety, please read and follow all instructions carefully before assembly, installation and use of this luminaire. Please keep instructions for future reference.

### Warranty

- This recessed luminaire is covered by a 5-year warranty valid for in-store replacement or refund only.
- The warranty period starts from the date of purchase, not the date of installation. Please retain the proof of purchase.
- The use of non-compatible dimmers may damage your recessed luminaire and will void your warranty.
- Warranty will be void if there is any damage due to improper usage or modification to the recessed luminaire.
- Failure to comply with the instructions in this manual may increase the risk of damage or injury and will void the warranty.

### Installation Requirements

- Before the installation, check the installation location in the ceiling has access to a socket outlet which is connected to a wall light switch and dimmer. If it does not, please contact a licensed electrician to arrange installation of the socket outlet, wall light switch and dimmer before continuing.
- All wiring and installation of the recessed luminaire must adhere to latest local and national wiring rules. eg. AS/NZS 3000 Electrical installations. If unsure, please contact a licensed electrician.
- The front cover of the LED downlight is rated IP44 only after it is fully installed. This must be maintained during installation. **NOTE: The recessed parts of the LED downlight is rated IP40.**
- Select a suitable location for installation:
  - The mounting point must support 2 times the weight of the recessed luminaire.
  - This recessed luminaire is suitable for indoor or outdoor use, provided that it is installed under cover or under eaves.
- The colour shifting function will only operate with a mechanical or relay ON/OFF switch.
- The colour shifting function will not operate with a semi-conductor ON/OFF switch (e.g. smart switch) or a dimmer with built in ON/OFF switching function (e.g. smart dimmer). An additional mechanical or relay ON/OFF switch is required on the same circuit with the semi-conductor ON/OFF switch or the dimmer with ON/OFF switching function with the downlight.
- This recessed luminaire is dimmable and has been tested at the date of publication with the dimmers listed in the specification section.
- The use of a LED dimmer such as the Lucci LEDlux SKU# 290998\* or SKU# 290997 dimmer is highly recommended.

**\*NOTE: When using the SKU# 290998 dimmer, a minimum of 2 downlights must be connected, otherwise there will be slight glow from the single downlight when it is turned off.**

**NOTE:** For the best dimming range, use with the Lucci LEDlux SKU# 290998 dimmer and adjust the variable resistor at minimum and maximum dimming positions on the dimmer during the installation.

**NOTE:** Dimming may cause buzzing sounds or a slight flicker. There may be slight delays with the LED light start up or slight uneven light performance when more than one LED light fitting is linked together, switched ON or dimmed. This is not a product fault and as such is not covered under warranty.

**NOTE:** Some dimmers have a minimum load of 20W. Ensure the dimmer position is on the maximum setting before turning on the LED light and adjust the dimmer down to your desired light level.

**NOTE:** Testing cannot account for installation variables such as variation in mains supply voltage, cable capacitance, electrical noise, transients, surges and ripple control signals (commonly found in NSW & QLD).

**NOTE:** The information provided is correct to the best of Beacon Lighting's knowledge at the date of publication.

- This recessed luminaire has an insulating ceiling type IC-4 rating. Building insulation material can safely be exposed continuously to temperatures up to 90°C may abut and cover the luminaire. (Please refer to the Clearance

Information section and the IC-4 rating section in this instruction manual for further details.)

- If loose fill insulation or thermal insulation is not fixed into position or if there are loose combustible materials (e.g. leaves or combustible materials stored in the roof space), a barrier or guard is required as per the Clearance Information section in this instruction manual.

- The recessed luminaire must not be used if the diffuser has been cracked or damaged.
- Take care not to pull any electrical wires during unpacking as this may damage the connection.
- Lay out all the components on a smooth surface and make sure no components are missing before assembling.

If parts are missing, return the complete product to the place of purchase for inspection or replacement.

- Check whether the recessed luminaire has been damaged during transport. Do not operate/install any product which appears damaged in any way. Return the complete product to the place of purchase for inspection, repair or replacement.
- Ensure power to the circuit you are working on has been switched OFF before commencing any electrical work.

## Installation Directions

1. Remove all packaging material from the product and be careful not to throw away accessories that may be hidden within the packaging material.

**NOTE: Before installation, plug the downlight into a socket outlet to ensure it is working correctly.**

2. Cut an installation hole of Ø90mm into the ceiling. (Fig. 1).
3. Insert the plug into the socket outlet and ensure it is fully plugged in. (Fig. 2)
4. Push the springs up and put the LED downlight up through the cut-out hole and into the ceiling. (Fig. 3)
5. Ensure all the clearance values are maintained during and after installation of the LED downlight, thermal insulation, loose fill insulation, loose combustible materials and any structural members. (Fig. 4)

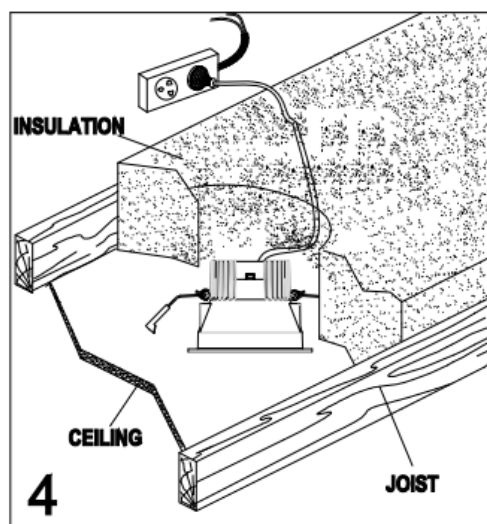
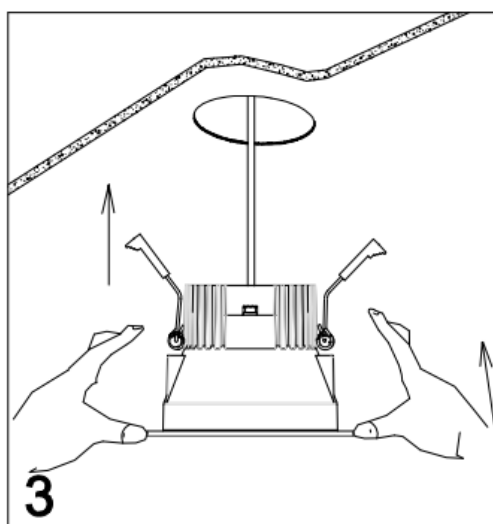
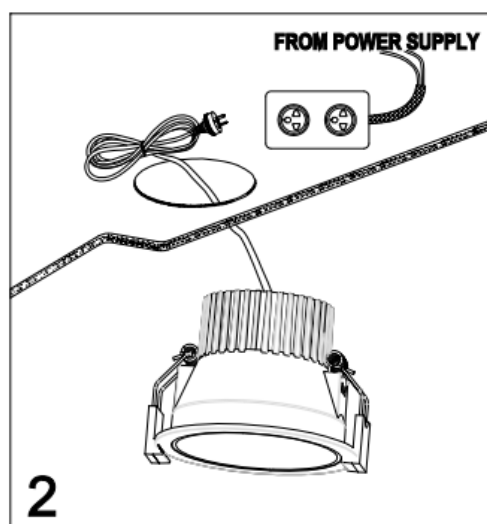
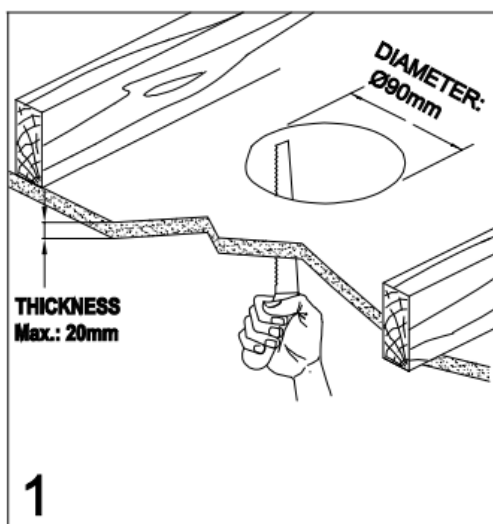
**NOTE: Please refer to the Clearance Information section and the IC-4 section in this instruction manual for further details.**

6. After the installation, switch on the LED downlight to test all the lighting functions and enjoy your new LED downlight.
7. To operate the colour shifting function, use the wall switch.
  - While the luminaire is on, toggle the wall switch OFF and ON again within 3 seconds.
  - The colour shifting sequence will jump from 3000K – 5000K – 4000K.
  - For the colour shifting to memorise the colour temperature, leave the wall switch OFF for over 7 seconds.

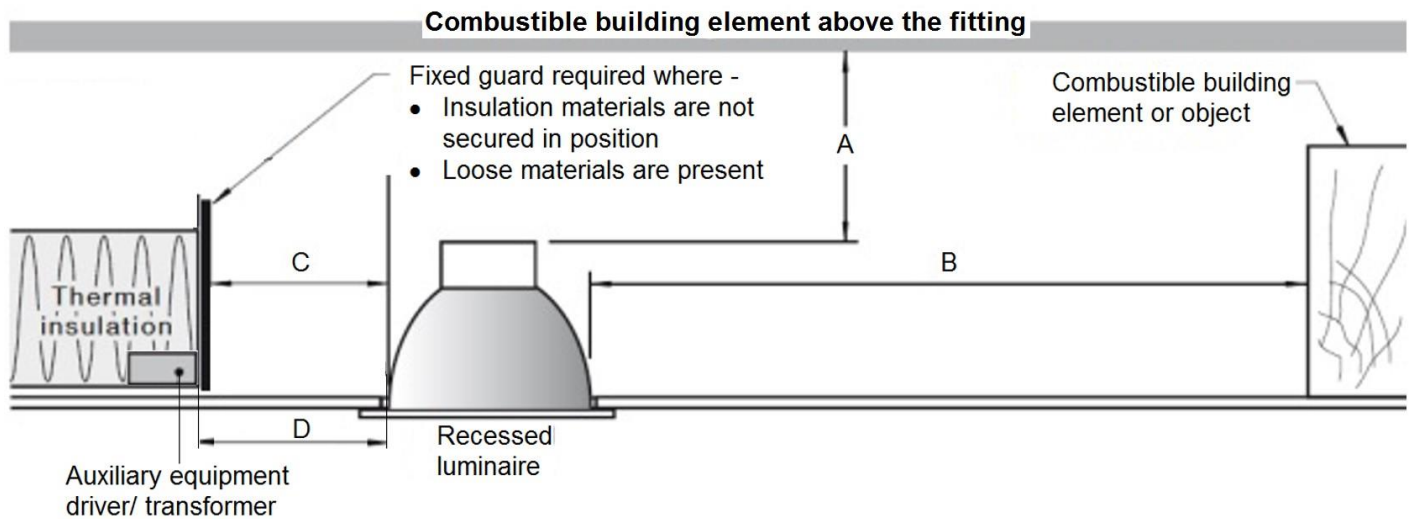
To reset the colour shifting, toggle the wall switch OFF and ON twice within 1 second. Repeat if it doesn't reset.

**NOTE: The colour shifting function will only operate with a mechanical or relay ON/OFF switch.**

**NOTE: The colour shifting function will not operate with a semi-conductor ON/OFF switch.**

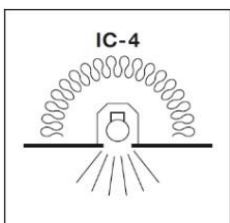


## Clearance Information – AS/NZS 3000 Wiring Rules



LOCATION	DISTANCE	DESCRIPTION
A	50 mm (Minimum)	Clearance between the top of the recessed luminaire and any combustible materials, building elements or objects above it.
B	50 mm (Minimum)	Clearance between the side of the recessed luminaire and any combustible materials, building elements or objects.
C	0 mm (Abutted)	Insulation can be abutted against the side of recessed luminaire and covered as per IC-4 rating. See IC-4 rating section for more details.
D	100mm	Auxiliary equipment/driver/transformer must be placed 100mm away from the luminaire. It can be placed under the thermal insulation and covered.

## IC-4 Rating – AS/NZS 60598.2.2: 2016



1. A closed luminaire that allows building insulation to come into contact with its sides and to cover it.
2. Type IC-4 recessed luminaire can be used together with building insulation that can safely be exposed continuously to temperatures up to 90°C may abut and cover the luminaire;

**RISK OF FIRE** – Required clearance from structural members and building elements  
SCB = 50 mm      HCB = 50 mm

## Safety Tips

- Always ensure the power is OFF and the LED downlight has cooled down before performing any maintenance, cleaning or making any adjustment to the recessed luminaire.
- The external flexible cable or cord of this luminaire cannot be replaced; if the cable or cord is damaged, the luminaire shall be destroyed.
- The luminaire must not be used if the protective shield has been cracked. Replace any cracked protective shield before using the luminaire.
- The light source of this luminaire is not replaceable; when the light source reaches its end of life the whole luminaire shall be replaced. There are no serviceable parts, do not attempt to dismantle or open the product.
- To avoid injury or damage to the luminaire, ensure that power leads and screws are secure before connecting the power.
- Ensure that the fitting does not come in contact with corrosive chemicals/solvents or abrasive cleaners etc.
- To clean, wipe with a soft damp clean cloth. Do NOT soak or immerse the product in water or other liquids.

Troubleshooting		
PROBLEM	POSSIBLE CAUSE	SUGGESTED SOLUTION
Does not work. (New installation)	Wiring loose or no power to the downlight.	Check your circuit breaker/safety switch box and turn on power to your circuit.
		Unplug the downlight and test in a functional socket outlet with power. If the downlight does not switch on then contact your place of purchase. If the downlight is working, have your licensed electrician check the wiring or socket outlet to the downlight.
Does not work. (Existing installation)	No power to the downlight.	Check your circuit breaker/safety switch box and turn on power to your circuit.
		Contact your place of purchase.
Flickers when dimming. (New installation)	Non-compatible dimmer used.	Check the dimmer used. Ensure the dimmer used is on the list of compatible dimmers in this manual.
	Some dimmers have a variable loading adjustment function. eg. Lucci LEDlux SKU# 290998 dimmer.  This may not have been adjusted during the installation of the dimmer.	The variable resistor needs to be adjusted to suit the downlight load to reduce the flickering.
Flickers when dimming. (Existing installation)	Dimmer position on low.	Ensure the dimmer position is on the maximum setting before turning on the downlights and adjust the dimmer down to your desired light level.
Buzzing sound.	Non-compatible dimmer used.	Check the dimmer used. Ensure the dimmer used is on the list of compatible dimmers in this manual.
Uneven light start up.	Dimmer position on low when switched on.	Ensure the dimmer position is on the maximum setting before turning on the downlights and adjust the dimmer down to your desired light level.

Specifications				
<b>SKU #</b>	178260	178261	178262	178263
<b>Rated Voltage</b>	220-240V~ 50Hz,			
<b>Rated Wattage</b>	8W			
<b>LED Specs</b>	Dimmable, Colour Switching*, CRI > 90			
<b>Rated Lumens</b>	3000K - 720 lumens 4000K - 760 lumens 5000K - 750 lumens	3000K - 600 lumens 4000K - 650 lumens 5000K - 620 lumens	3000K - 620 lumens 4000K - 700 lumens 5000K - 700 lumens	
<b>Dimmer Information</b>	Highly Recommended Dimmers	Lucci LEDlux SKU# 290998, SKU# 290997		
	Compatible Dimmers	Lucci LEDlux SKU# 299043, 290989, 290992, 290993, 290994 BUSTER+ PUNCH: DIM-002 DIGINET LED Smart MEDM; Clipsal 31E2RUDM, 32E450UDM, 32E450TM, 32ELEDM; HPM: Cat. 400T		
<b>Weight</b>	0.2kg			
<b>Cut-out Size</b>	Ø90mm			
<b>IP Rating</b>	IP44 for the front cover of the LED downlight (after installation) IP40 for the back of the LED downlight (recessed parts)			
<b>Recessed Luminaire Classification</b>	IC-4			
<b>Dimensions</b>	H:76mm Dia:103mm			

\* **NOTE:** The colour shifting function will only operate with a mechanical or relay ON/OFF switch. The colour shifting function will not operate with a semi-conductor ON/OFF switch (e.g. smart switch) or a dimmer with built in ON/OFF switching function (e.g. smart dimmer). An additional mechanical or relay ON/OFF switch is required on the same circuit with the semi-conductor ON/OFF switch or the dimmer with ON/OFF switching function with the downlight