

LUSTRE II LED SQUARE FLUSH MOUNT

SKU# 181021, 181022

Rated Voltage 220-240V~ 50Hz

Thank you for purchasing this quality Lucci product. To ensure correct function and safety, please read and follow all instructions carefully before assembly, installation and use of this product. Please keep instructions for future reference.

Warranty

- This luminaire is covered by a 3 year warranty. The warranty is from date of purchase, not the date of installation.
- If the luminaire is not installed by a licensed electrician it will void the warranty.
- Please retain proof of purchase and evidence of installation by a licensed electrician for any warranty enquiries.
- The use of non-compatible dimmers may damage your LED luminaire and will void the warranty.
- Warranty will be void if there is any damage due to improper usage or modification to the luminaire.
- Failure to comply with the instructions in this manual may increase the risk of damage or injury and will void warranty.

Installation Requirements

- Must be installed by a licensed electrician.
- All wiring and installation of the luminaire must adhere to latest local and national wiring rules.
eg. AS/NZS 3000 Electrical installations.
- This is a Class I luminaire and must be earthed during installation.
- Select a suitable location for installation;
 - This product is suitable for indoor use only.
 - The mounting point must support 2 times the weight of the luminaire.
 - Ensure the luminaire is not installed next to any air vent system.
 - When installing a luminaire in an area prone to moisture, ensure that the area is well ventilated and an appropriately rated exhaust fan is used if required. Damage or corrosion caused by moisture is not a product fault, and as such is not covered under warranty.
- This luminaire is dimmable and has been tested at the date of publication with the dimmers listed in the specification section. The use of a LED dimmer such as the Lucci LEDlux SKU# 290998 or SKU#290997 dimmer is highly recommended.

NOTE: For the best dimming range, use with the Lucci LEDlux SKU# 290998 dimmer and adjust the variable resistor at minimum and maximum dimming positions on the dimmer during the installation.

NOTE: Dimming may cause buzzing sounds or a slight flicker. There may be slight delays with the LED light start up or slight uneven light performance when more than one LED luminaire is linked together, switched ON or dimmed. This is not a product fault and as such is not covered under warranty.

NOTE: Some dimmers have a minimum load of 20W. Ensure the dimmer position is on the maximum setting before turning on the LED light and adjust the dimmer down to your desired light level.

- Take care not to pull any electrical wires during unpacking as this may damage the connection.
- Lay out all the components on a smooth surface and make sure there are no components missing before assembling. If parts are missing, return the complete product to the place of purchase for inspection or replacement.
- Check whether the luminaire has been damaged during transport. Do not operate/install any product which appears damaged in any way. Return the complete product to the place of purchase for inspection, repair or replacement.
- Ensure power to the circuit you are working on has been switched OFF before commencing any electrical work.



NOTE: During the installation or maintenance of the fitting, be careful and do not touch the LED chip and the PCB board, as both are fragile.



Installation Directions

1. Remove all packaging material from the product and be careful not to throw away accessories that may be hidden within the packaging material.
2. Remove the shade from the luminaire by opening the locking bracket. (Fig. A)
3. Use the luminaire as a template to mark the screw positions onto the ceiling.
4. Install the luminaire onto the ceiling by using appropriately sized mounting screws and anchors. (Fig. B)
Ensure the mounting screws and anchors used are suitable for the mounting surface.
5. Remove the cover from the terminal block by loosening the screw and connect the mains supply wire to the terminal block. (Fig. C).

Mains Supply Wire

Earth – Yellow/Green

Neutral – Blue or Black

Live – Brown or Red

Luminaire Wire

Yellow/Green

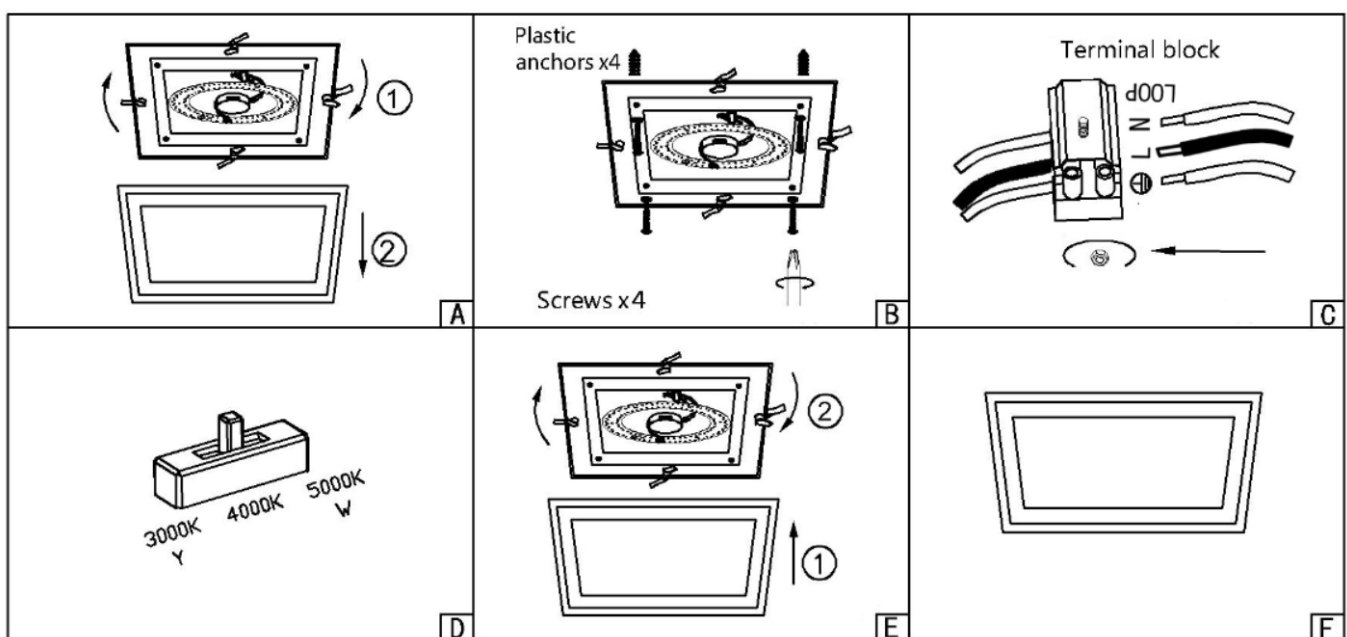
Blue (N)

Brown (L)

Ensure that the wires are secure and no bare wires are exposed. Install the cover back over the terminal block then tighten the nut. Ensure the loop terminal is covered as well if it is in use.

NOTE: A loop terminal is provided on the terminal block. Please see the **LOOP TERMINAL** section for assistance with the wiring connection and a diagram. (Fig. G)

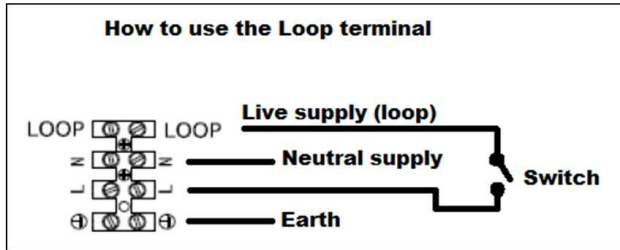
6. Set the colour temperature of the luminaire using the switch on the PCB board. (Fig. D) Set the switch towards the Y mark on the PCB then the luminaire will be set to 3000K, set the switch in the middle then the luminaire will be set to 4000K, set the switch towards W mark on the PCB then the luminaire will be set to 5000K.
7. Install the shade back onto the luminaire by closing the locking bracket. (Fig. E)
8. After the installation, switch on the luminaire to test all the lighting functions and enjoy your new lighting product.



LOOP TERMINAL:

The loop terminal is provided as a second live supply terminal. It is useful when a switch is included into the wiring as shown in the diagram below. (Fig. G)

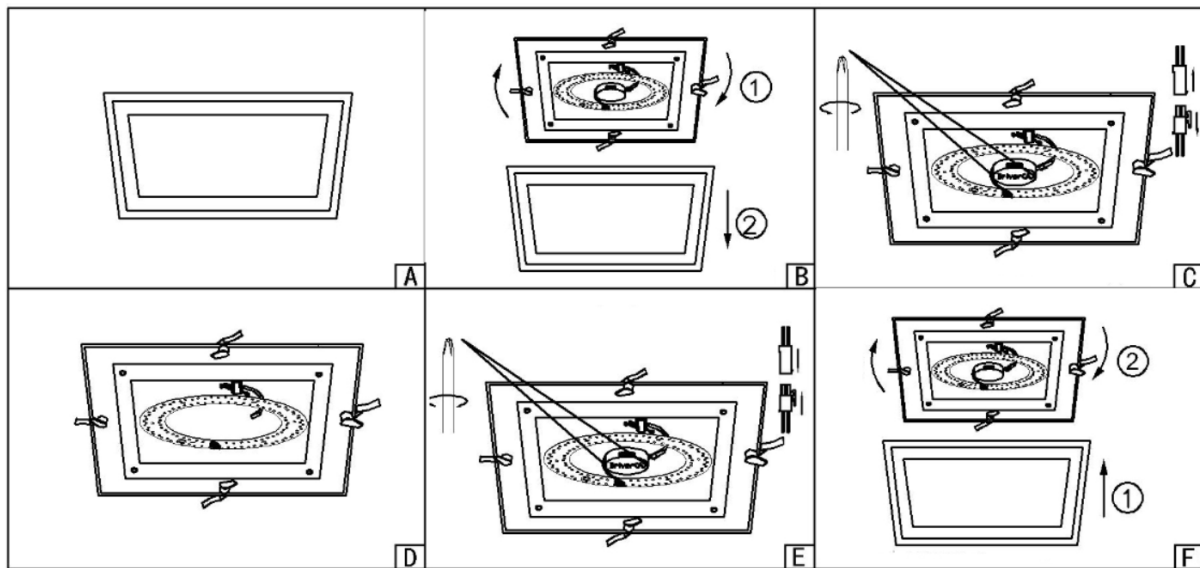
WARNING: ALL WIRING CONNECTION AND DISCONNECTION MUST BE PERFORMED BY A LICENSED ELECTRICIAN.



(FIG. G)

HOW TO REPLACE THE LED DRIVER:

1. Ensure the power is off. (Fig. A)
2. Remove the shade from the luminaire by opening the locking bracket. (Fig. B)
3. Unplug the input and output wire connectors from the old LED driver. (Fig. C)
4. Remove the LED driver from the lamp base by loosening 2 screws on the side. (Fig. D)
5. Install the new replacement LED driver by tightening the 2 screws and reconnect the input and output wire connectors together. (Fig. E)
6. Install the shade back onto the luminaire by closing the locking bracket. (Fig. F)



Safety Tips

- Always ensure the power is OFF and the luminaire has cooled down before performing any maintenance, cleaning or making any adjustment to the luminaire.
- To avoid injury or damage to the luminaire, ensure that power leads and screws are secure before connecting the power.
- The light source contained in this luminaire shall only be replaced by the manufacturer or his service agent or a similar qualified person.
- Select a suitable location away from liquids and hazards.
- Ensure that the luminaire does not come in contact with corrosive chemicals, etc.
- To clean, wipe with a damp clean cloth. Never soak the luminaire with water.
- Handle the luminaire and cover/shade with care to avoid breakage.

Troubleshooting		
PROBLEM	POSSIBLE CAUSE	SUGGESTED SOLUTION
Does not work. (New installation)	Wiring loose or no power to the LED luminaire.	Check your circuit breaker/safety switch box and turn on power to your circuit.
		Contact the installing licensed electrician to check if the luminaire has been installed correctly.
Does not work. (Existing installation)	No power to the LED luminaire.	Check your circuit breaker/safety switch box and turn on power to your circuit.
		Contact your nearest Beacon Lighting store.
Flickers when dimming. (New installation)	Non-compatible dimmer used.	Check the dimmer used. Ensure the dimmer used is on the list of compatible dimmers in this manual.
	Some dimmers have a variable loading adjustment function. eg. Lucci LEDlux SKU# 290998 dimmer. This may not have been adjusted during the installation of the dimmer.	The variable resistor needs to be adjusted to suit the LED luminaire load to reduce the flickering.
Flickers when dimming. (Existing installation)	Dimmer position on low.	Ensure the dimmer position is on the maximum setting before turning on the LED luminaire and adjust the dimmer down to your desired light level.
Buzzing sound.	Non-compatible dimmer used.	Check the dimmer used. Ensure the dimmer used is on the list of compatible dimmers in this manual.
Uneven light start up	Dimmer position on low when switched on.	Ensure the dimmer position is on the maximum setting before turning on the LED luminaire and adjust the dimmer down to your desired light level.

Specifications		
SKU #	181021	181022
Insulation Class	Class I	
Rated Voltage	INPUT: 220-240V~ 50Hz, OUPUT: 30-40VDC, 0.28A, constant current,	INPUT: 220-240V~ 50Hz, OUPUT: 30-40VDC, 0.45A, constant current,
Rated Wattage	12W	18W
LED Specs	Emperor LED, 3000K-4000K-5000K 800 lumens* *Lumen results are shown when set at 4000K; It may slightly vary at different CCT.	Emperor LED, 3000K-4000K-5000K 1500 lumens* *Lumen results are shown when set at 4000K; It may slightly vary at different CCT.
Weight	0.75kg	1.4kg
Dimensions	H:85mm x L:335mm x W:335mm	H:100mm x L:430mm x W:430mm
Serviceable Parts	LED Driver Model # SK851-B-13280CLASSI	LED Driver Model # SK852-B-14450CLASSI
Dimmer Information	Highly Recommended Dimmers	Compatible Dimmers
	Lucci LEDlux SKU# 290998, SKU# 290997	Buster + Punch: DIM-002 LUMEX Load Smart LT1D450LS; DIGINET LED Smart MEDM; Clipsal 31E2RUDM, 32E450TM, 32E450UDM, 31E2PUDM and 32ELEDM; HPM: Cat. 400T