

GEORGIA LARGE LED FLUSH MOUNT

SKU# 189090, 189091, 189094, 189095

Rated Voltage 220-240V~ 50Hz

To ensure correct function and safety, please read and follow all instructions carefully before assembly, installation and use of this luminaire. Please keep instructions for future reference.

Warranty

- This luminaire is covered by a 3-year warranty. The warranty is from date of purchase, not the date of installation.
- If the luminaire is not assembled and installed by a licensed electrician, the warranty will be void.
- Please retain proof of purchase and evidence of installation by a licensed electrician for any warranty enquiries.
- The use of non-compatible dimmers may damage your luminaire and will void your warranty.
- Warranty will be void if there is any damage due to improper usage or modification to the luminaire.
- Failure to comply with the instructions in this manual may increase the risk of damage or injury and will void the warranty.

Installation requirements

- This luminaire must be assembled and installed by a licensed electrician.
 - All wiring and installation of the luminaire must adhere to the latest local and national wiring rules.
eg. AS/NZS 3000 Electrical installations.
 - This luminaire is a Class I product and must be earthed during wiring and installation
 - Select a suitable location for installation:
 - This luminaire is suitable for indoor use only.
 - The mounting point must support 2 times the weight of the luminaire.
 - Ensure the luminaire is not installed in direct line of an air vent/system.
 - If installing a luminaire in an area prone to moisture, ensure that the area is well ventilated and an appropriately rated exhaust fan is used if required. Damage or corrosion caused by moisture is not a product fault, and as such is not covered under warranty.
 - The colour shifting function will only operate with a mechanical or relay ON/OFF switch.
 - The colour shifting function will not operate with a semi-conductor ON/OFF switch.
 - The use of a LED dimmer is strongly recommended. Please see **Highly Recommended Dimmers** Section of the Specifications on Page 5 for a list of SKUs that have been specifically designed & tested for use with this luminaire.
 - **NOTE:** Dimming may cause buzzing sounds or a slight flicker. There may be slight delays with the LED luminaire start up or slight uneven light performance when more than one LED luminaire is linked together, switched ON or dimmed. This is not a product fault and as such is not covered under warranty.
- NOTE:** Some dimmers have a minimum load of 20W. Ensure the dimmer position is on the maximum setting before turning on the LED luminaire and adjust the dimmer down to your desired light level.
- NOTE:** Testing cannot account for installation variables such as variation in mains supply voltage, cable capacitance, electrical noise, transients, surges and ripple control signals (commonly found in NSW & QLD).
- NOTE:** The information provided is correct to the best of Beacon Lighting's knowledge at the date of publication.
- Take care not to pull any electrical wires during unpacking as this may damage the connection.
 - Lay out all the components on a smooth surface and make sure there are no components missing before assembling. If parts are missing, return the complete product to the place of purchase for inspection or replacement.
 - Check whether the luminaire has been damaged during transport. Do not operate/install any product which appears damaged in any way. Return the complete product to the place of purchase for inspection, repair or replacement.
 - Ensure power to the circuit you are working on has been switched OFF before commencing any electrical work.



NOTE: During the installation or maintenance of the fitting, be careful and do not touch the LED chip and the PCB board, as both are fragile.



Installation Directions

1. Remove all packaging material from the product and be careful not to throw away accessories that may be hidden within the packaging material. If assembly is required, place the luminaire on a smooth non-scratch surface.
2. Remove the shade and decorative ring from the luminaire by loosening the nuts. (Fig. A)
3. Use the luminaire as a template to mark the screw hole positions on the ceiling. (Fig. B)
4. Install the luminaire onto the ceiling by using appropriately sized mounting screws and anchors. Ensure the mounting screws and anchors used are suitable for the mounting surface and the surrounding environment. (Fig. B)
5. Remove the cover from the terminal block by loosening the screw. (Fig. C1)
6. Place the terminal block cover and screw in a safe place, they are required to be installed back onto the terminal block later. (Fig. C2)
7. Connect the mains supply wire to the terminal block. Ensure that the wires are secure, and no bare wires are exposed. (Fig. C3)

Mains Supply Wire

Earth – Yellow/Green

Neutral – Blue or Black

Live – Brown or Red

Luminaire Wire / Terminal Block

Yellow/Green or 

Blue or N

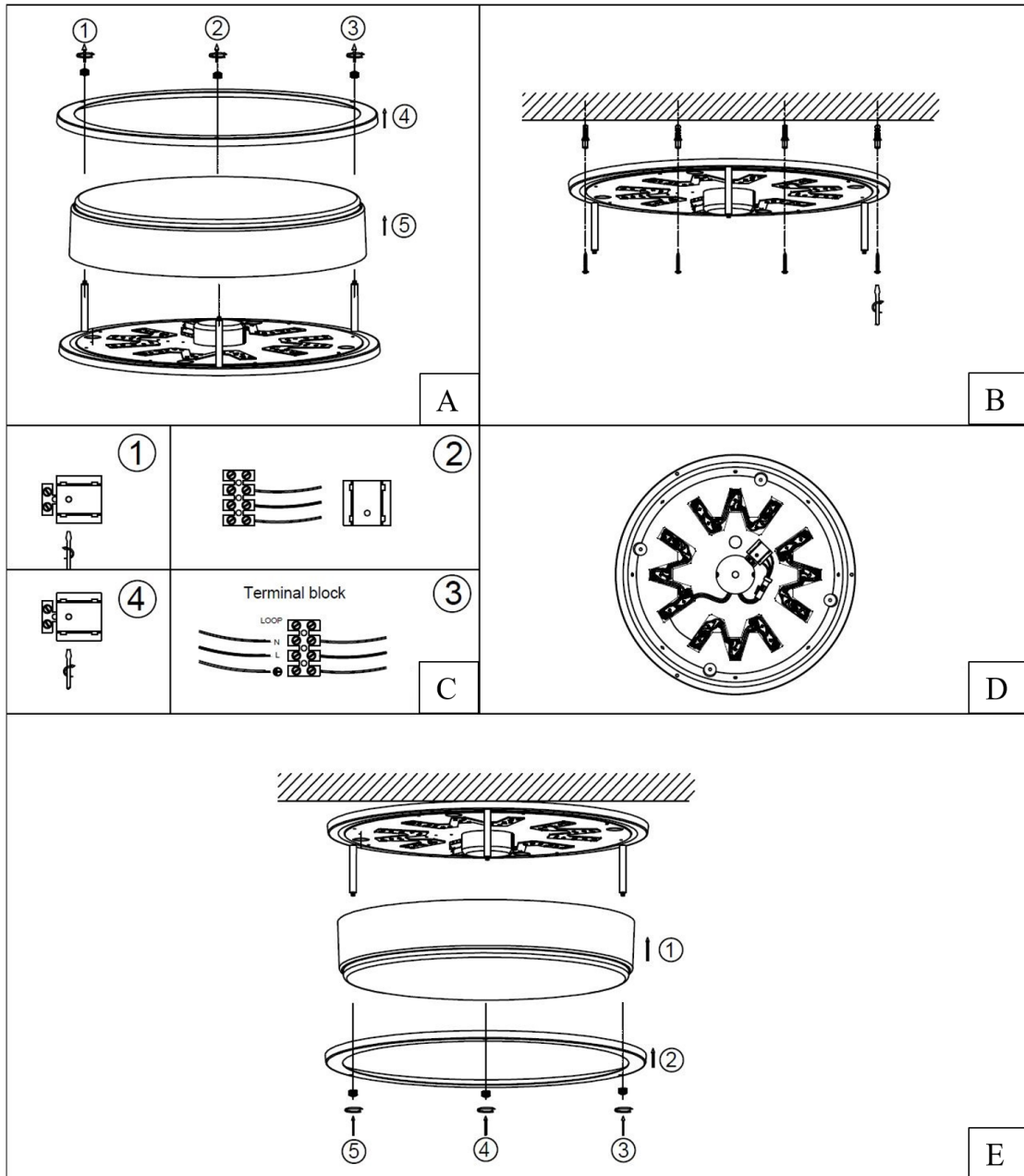
Brown or L

NOTE: This luminaire is a Class I product and must be earthed during wiring and installation.

NOTE: Install the cover back over the terminal block and ensure the screw is used to secure the cover. (Fig C4)

NOTE: A loop terminal is provided on the terminal block. Please see the **LOOP TERMINAL** section for assistance with the wiring connection. See Figure. F

8. Ensure the wiring and terminal block cover is installed and secure. (Fig. D)
9. Install the shade and decorative ring back onto the luminaire and secure them by tightening the nuts. (Fig. E)
10. After the installation, switch on the luminaire to test all the lighting functions and enjoy your new lighting product.
11. To operate the colour shifting function, use the wall switch.
 - a. While the luminaire is on, toggle the wall switch OFF and ON again within 3 seconds.
The colour shifting sequence will jump from 3000K – 4000K – 5000K.
 - b. For the colour shifting to memorise the colour temperature, leave the wall switch OFF for over 7 seconds.
 - c. To reset the colour shifting, toggle the wall switch OFF and ON twice within 1 second.

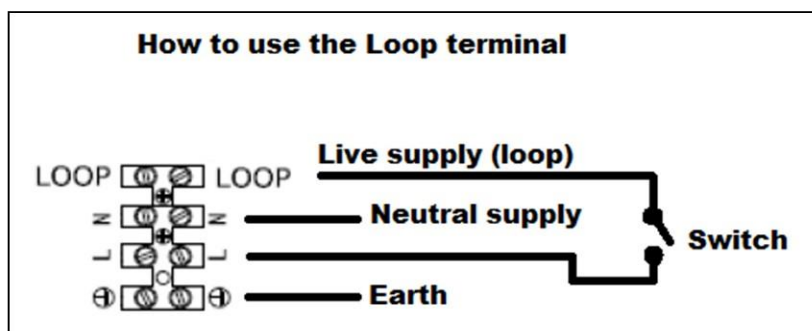


LOOP TERMINAL:

The loop terminal is provided as a second live supply terminal. It is useful when a switch is included into the wiring as shown in the diagram below - Figure F.

WARNING: ALL WIRING CONNECTION AND DISCONNECTION MUST BE PERFORMED BY A LICENSED ELECTRICIAN.

Fig. F



Safety Tips

- Always ensure the power is OFF and the luminaire has cooled down before performing any maintenance, cleaning or making any adjustment to the luminaire.
- To avoid injury or damage to the luminaire, ensure that power leads and screws are secure before connecting the power.
- The light source of this luminaire is not replaceable; when the light source reaches its end of life the whole luminaire shall be replaced. There are no serviceable parts, do not attempt to dismantle or open the luminaire.
- Select a suitable location away from liquids and hazards.
- Ensure that the luminaire does not come in contact with corrosive chemicals/solvents or abrasive cleaners etc.
- To clean, wipe with a damp clean cloth. Do NOT soak or immerse the luminaire in water or other liquids.

Specifications

SKU #	189090	189094	189091	189095
Colour	Antique Black	Brushed Chrome	Antique Black	Brushed Chrome
Rated Voltage	220-240V~ 50Hz			
Rated Wattage	13W Max.		18W Max	
Insulation Class	Class I			
LED Specs	Dimmable, Colour Shifting LEDs*, CRI≥90			
Rated Lumens	3000K-900 lumens 4000K-1000 lumens 5000K-1000 lumens		3000K-1400 lumens 4000K-1500 lumens 5000K-1500 lumens	
Highly Recommended Dimmers	Lucci Power SKU# 290989, 290992, 290993, 290994. Lucci LEDlux SKU# 290997. Lucci Connect SKU# 299043. Buster + Punch DIM-002			
Compatible Dimmers	Clipsal 31E2PUDM, 31E2RUDM, 32E450UDM, 32ELEDM. DIGINET LED Smart MEDM. HPM Cat. 400T.			
Weight	0.8kg		1.7kg	
Dimensions	H:80mm Dia:260mm		H:95mm Dia:405mm	

- * The colour shifting function will only operate with a mechanical or relay ON/OFF switch.
The colour shifting function will not operate with a semi-conductor ON/OFF switch.