

SOUTHBEACH 2LT FLUSH MOUNT

SKU# 189182

Rated Voltage 220-240V~ 50Hz

Thank you for purchasing this quality Lucci product. To ensure correct function and safety, please read and follow all instructions carefully before assembly, installation and use of this luminaire. Please keep instructions for future reference.

Warranty

- This luminaire is covered by a 12 month warranty. The warranty is from date of purchase, not the date of installation.
- If the luminaire is not assembled and installed by a licensed electrician the warranty will be void.
- Please retain proof of purchase and evidence of installation by a licensed electrician for any warranty enquiries.
- Warranty will be void if there is any damage due to improper usage or modification to the luminaire.
- Failure to comply with the instructions in this manual may increase the risk of damage or injury and will void warranty.

Installation Requirements


- Must be assembled and installed by a licensed electrician.
- All wiring and installation of the luminaire must adhere to local and national wiring rules.
eg. AS/NZS 3000:2007/Amendment 2:2012 Electrical installations.
- This luminaire is a Class I product and must be earthed.
- Do not exceed the maximum wattage rating.
- Select a suitable location for installation:
 - This luminaire is suitable for indoor use only.
 - The mounting point must support 2 times the weight of the luminaire.
 - Ensure the luminaire is not installed in direct line of an air vent/system.
 - If installing a luminaire in an area prone to moisture, ensure that the area is well ventilated and an appropriately rated exhaust fan is used if required. Damage or corrosion caused by moisture is not a product fault, and as such is not covered under warranty.
- Take care not to pull any electrical wires during unpacking as this may damage the connection.
- Lay out all the components on a smooth surface and make sure there are no components missing before assembling. If parts are missing, return the complete product to the place of purchase for inspection or replacement.
- Check whether the luminaire has been damaged during transport. Do not operate/install any product which appears damaged in any way. Return the complete product to the place of purchase for inspection, repair or replacement.
- Ensure power to the circuit you are working on has been switched OFF before commencing any electrical work.

Installation Directions

Remove all packaging material from the product and be careful not to throw away accessories that may be hidden within the packaging material. If assembly is required, place the luminaire on a smooth non-scratch surface.

1. Loosen the 4 screws on the side of the luminaire.
2. Carefully remove the glass shade, take care not to damage or break the glass shade.
3. Remove the mounting bracket by loosening the decorative nuts at the front of the luminaire.
4. Use the mounting bracket as a template to mark the screw positions on the wall. Drill holes into the wall.
5. Install the mounting bracket on the wall by using appropriately sized mounting screws and anchors. Ensure the screws and anchors used are suitable for the mounting surface and the surrounding environment.
6. Connect the mains supply wires to the terminal block. Ensure the wires are secure and no bare wires are exposed.

Mains Supply Wire

Earth – Yellow/Green 

Neutral – Blue or Black

Live – Brown or Red

Luminaire Wires

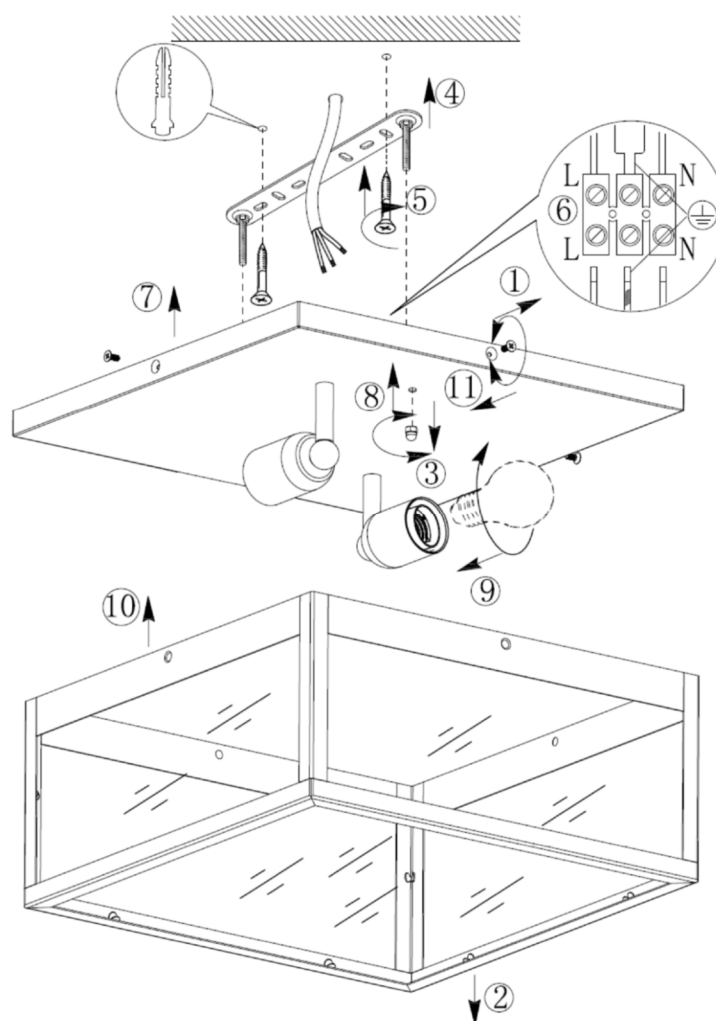
Yellow/Green or 

Blue or N

Brown or L

7. Install the luminaire back onto the mounting bracket.
8. Secure the luminaire by tightening the decorative nuts.
9. Install globes (not included) into the lamp holders. Do not exceed the maximum wattage rating.

10. Install the glass shade back onto the luminaire.
11. Secure the glass shade by tightening the screws on the side.
12. After the installation, switch on the luminaire to test all the lighting functions and enjoy your new luminaire.



Safety Tips

- Always ensure the power is OFF and the luminaire has cooled down before performing any maintenance, cleaning, changing the globe or making any adjustment to the luminaire.
- To avoid injury or damage to the luminaire, ensure the power leads and screws are secure before connecting the power.
- Select a suitable location away from liquids and hazards.
- To clean, wipe with a soft damp cloth. Do NOT soak or immerse the luminaire in water or other liquids.
- Ensure that the luminaire does not come in contact with corrosive chemicals/solvents or abrasive cleaners etc.

Specifications

| | |
|--------------------|-------------------------|
| SKU # | 189182 |
| Supplier Model Nr. | 203265 |
| Rated Voltage | 220-240V~ 50Hz |
| Rated Wattage | 120W Max. (2x Max. 60W) |
| Lamp Holder | ES / E27 |
| Weight | 4.3kg |
| Dimensions | H:160mm L:360mm W:360mm |